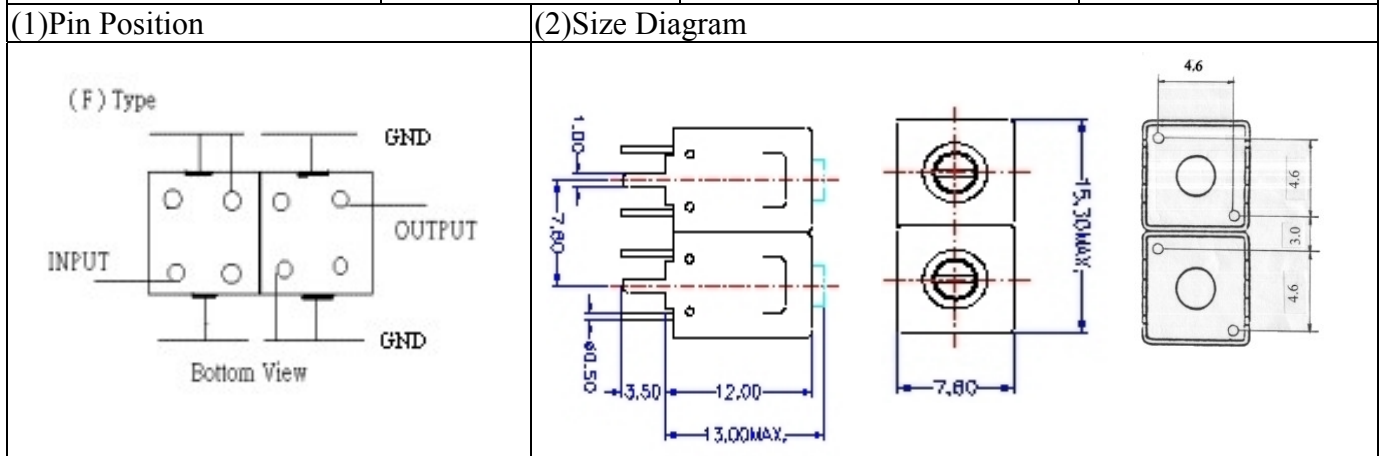


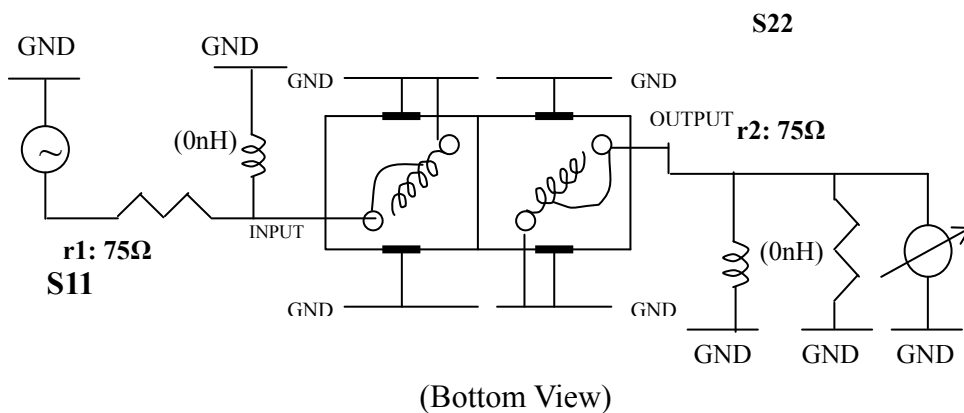
# VHF UHF Helical Filter Specification Sheet

Customer Name		Temwell's Part No.	TDL6230F-543.25M
Approval No. /dated	0612065APR	Acceptable Specify Fo Range	516~555 MHz
Work Instruction No.	0612065DC	Date	Jan.03.2007



(3) Electric Characteristic			
Item		Specify	Performance
Center Freq.(Fo) +/- 0.5 %		543.25 MHz	543.25 MHz
Tunable Range		543.25±5 MHz	543.25±5 MHz
Insertion Loss		Typ. 4.5 dB	3.52 dB
-3 dB Bandwidth		Typ. 7 MHz	9 MHz
Sensitivity (Attenuation)	Fo - 20 MHz	Typ. 22 dB	25 dB
	Fo + 20 MHz	Typ. 17 dB	20 dB
	Fo - ( )MHz	Typ. dB	dB
	Fo + ( )MHz	Typ. dB	dB
Return Loss		Min. 12 dB	23.5 dB
Ripple		< 1 dB	dB
Impedance		In / Out : 75 Ω	In / Out : 75 Ω
(4) Torque for Tuning Screw		> 100gf · cm	
(5) Temperature Condition:			
Operating Temperature		0°C ~ +60°C	
Storage Temperature		-20°C ~ +70°C	
(6) Input Power		> 1 Watt	

(7) Measuring Circuit: ※ Easy to match Impedance /75Ω by parallel with about ( 0 ) nH.

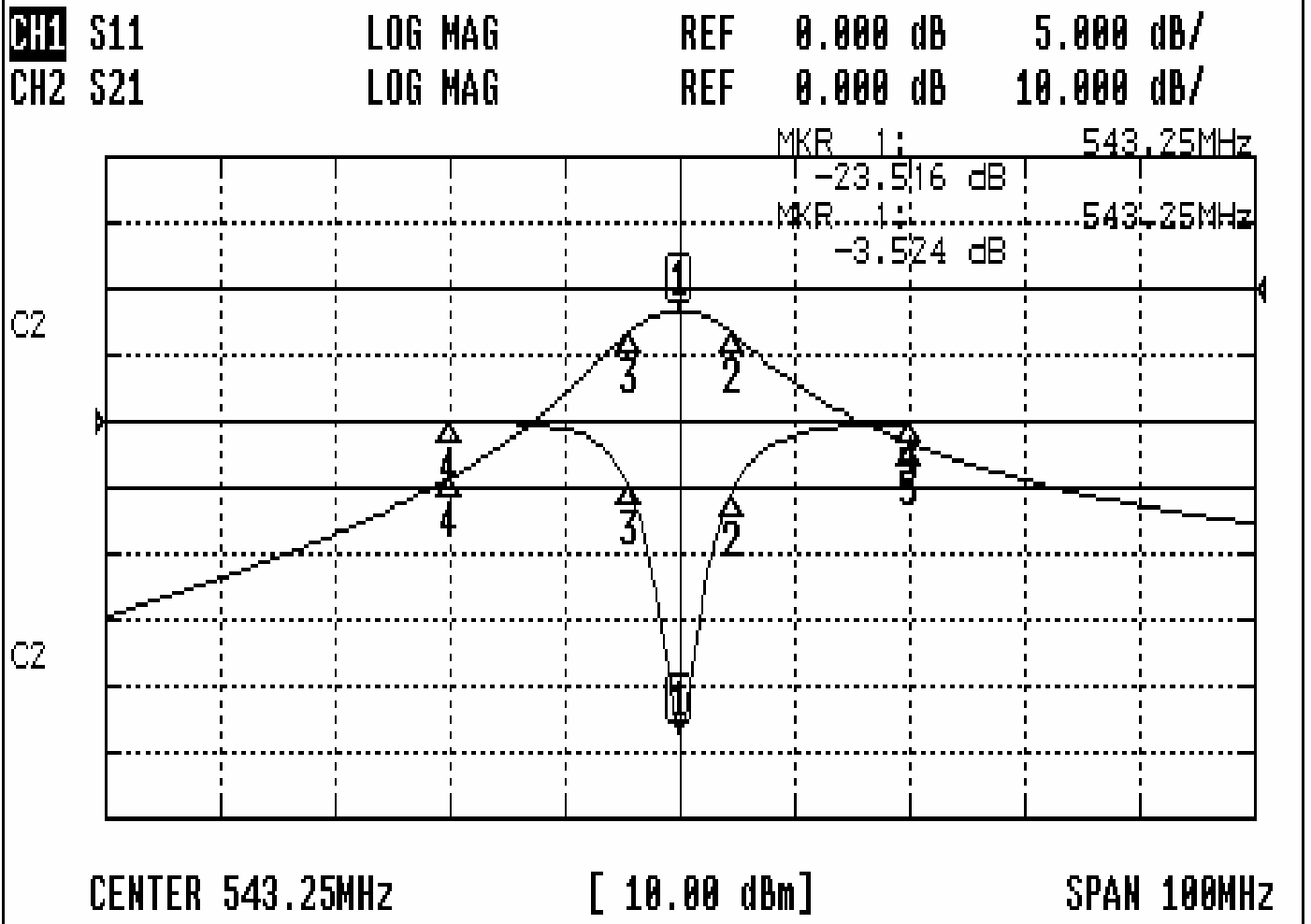


Approval	Supervisor	Designer	Aperture size
C.Y.Chang	C.S.Chang	W.W.Wang	7H2(4*5.35)F 7H046LB4 聚 3

TEMWELL CORPORATION

# Performance-TDL6230F-543.25M

## 0612065DC



### CH1 MARKER LIST

1:	543.250MHz	-23.516	dB
2:	547.750MHz	-5.487	dB
3:	538.750MHz	-4.688	dB
4:	523.250MHz	-0.010	dB
5:	563.250MHz	-0.145	dB

### CH2 MARKER LIST

1:	543.250MHz	-3.524	dB
2:	547.750MHz	-6.541	dB
3:	538.750MHz	-1.607	dB
4:	523.250MHz	-23.507	dB
5:	563.250MHz	-23.286	dB