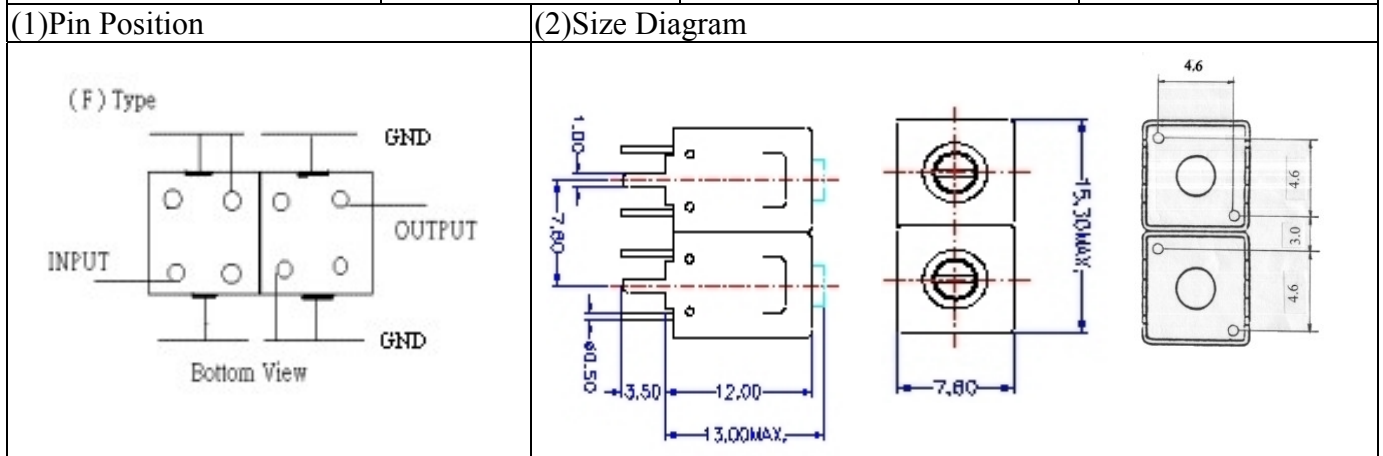


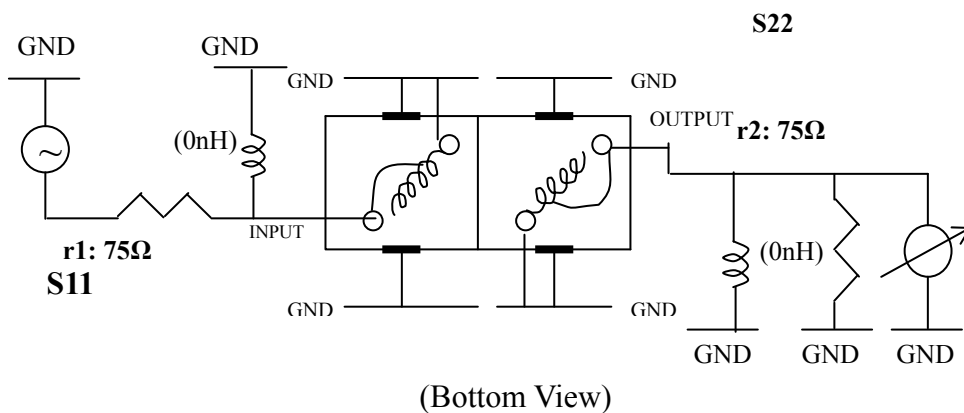
VHF UHF Helical Filter Specification Sheet

Customer Name		Temwell's Part No.	TDL6223F-531.25M
Approval No. /dated	0612063APR	Acceptable Specify Fo Range	516~555 MHz
Work Instruction No.	0612063DC	Date	Jan.03.2007



(3) Electric Characteristic			
Item		Specify	Performance
Center Freq.(Fo) +/- 0.5 %		531.25 MHz	531.25 MHz
Tunable Range		531.25±5 MHz	531.25±5 MHz
Insertion Loss		Typ. 4.5 dB	3.74 dB
-3 dB Bandwidth		Typ. 6 MHz	8.8 MHz
Sensitivity (Attenuation)	Fo - 20 MHz	Typ. 21 dB	24 dB
	Fo + 20 MHz	Typ. 17 dB	20 dB
	Fo - ()MHz	Typ. dB	dB
	Fo +()MHz	Typ. dB	dB
Return Loss		Min. 12 dB	24.8 dB
Ripple		< 1 dB	dB
Impedance		In / Out : 75 Ω	In / Out : 75 Ω
(4) Torque for Tuning Screw		> 100gf · cm	
(5) Temperature Condition:			
Operating Temperature		0°C ~ +60°C	
Storage Temperature		-20°C ~ +70°C	
(6) Input Power		> 1 Watt	

(7) Measuring Circuit: ※ Easy to match Impedance /75Ω by parallel with about (0) nH.



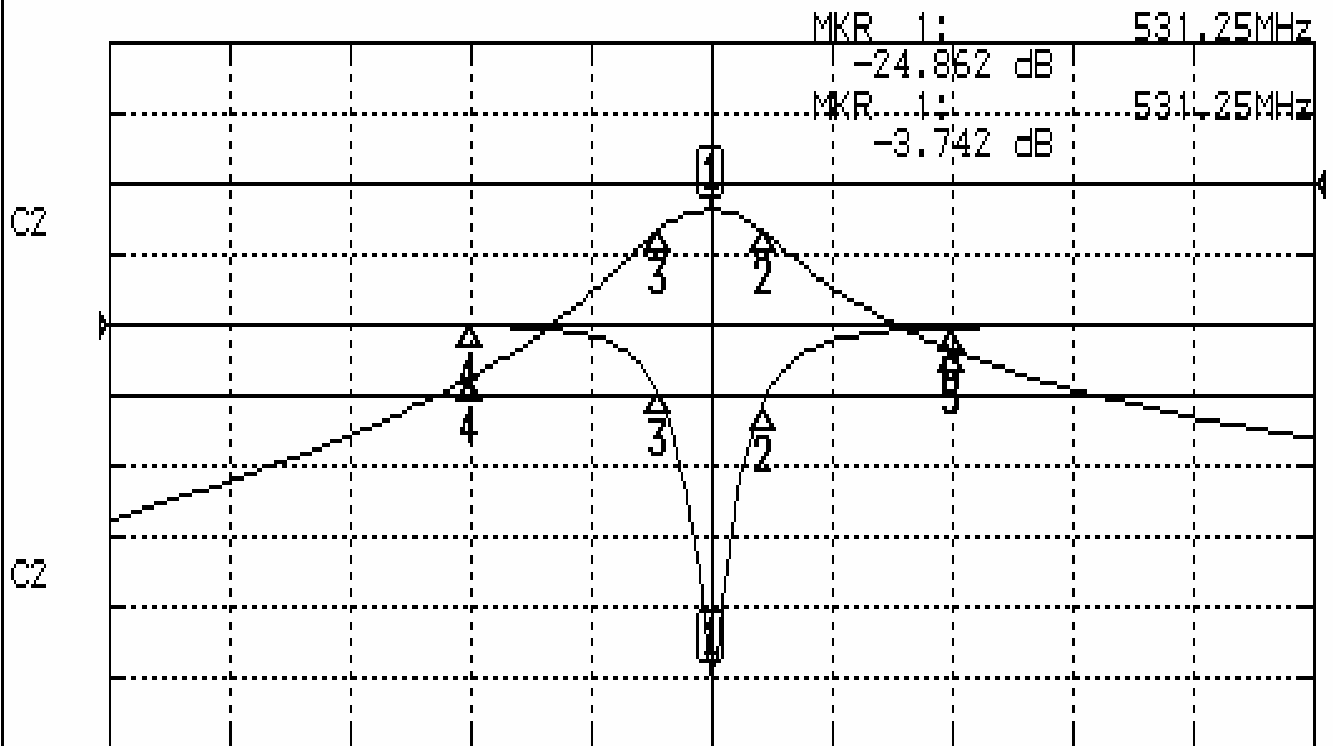
Approval	Supervisor	Designer	Aperture size
C.Y.Chang	C.S.Chang	W.W.Wang	7H2(4*5.35)F 7H046LB4 聚 3

TEMWELL CORPORATION

Performance-TDL6223F-531.25M

0612063DC

CH1 S11 LOG MAG REF 0.000 dB 5.000 dB/
CH2 S21 LOG MAG REF 0.000 dB 10.000 dB/



CENTER 531.25MHz

[10.00 dBm]

SPAN 100MHz

CH1 MARKER LIST

1:	531.250MHz	-24.862 dB
2:	535.500MHz	-5.805 dB
3:	526.750MHz	-4.721 dB
4:	511.250MHz	-0.061 dB
5:	551.250MHz	-0.203 dB

CH2 MARKER LIST

1:	531.250MHz	-3.742 dB
2:	535.500MHz	-6.705 dB
3:	526.750MHz	-6.745 dB
4:	511.250MHz	-27.491 dB
5:	551.250MHz	-23.537 dB