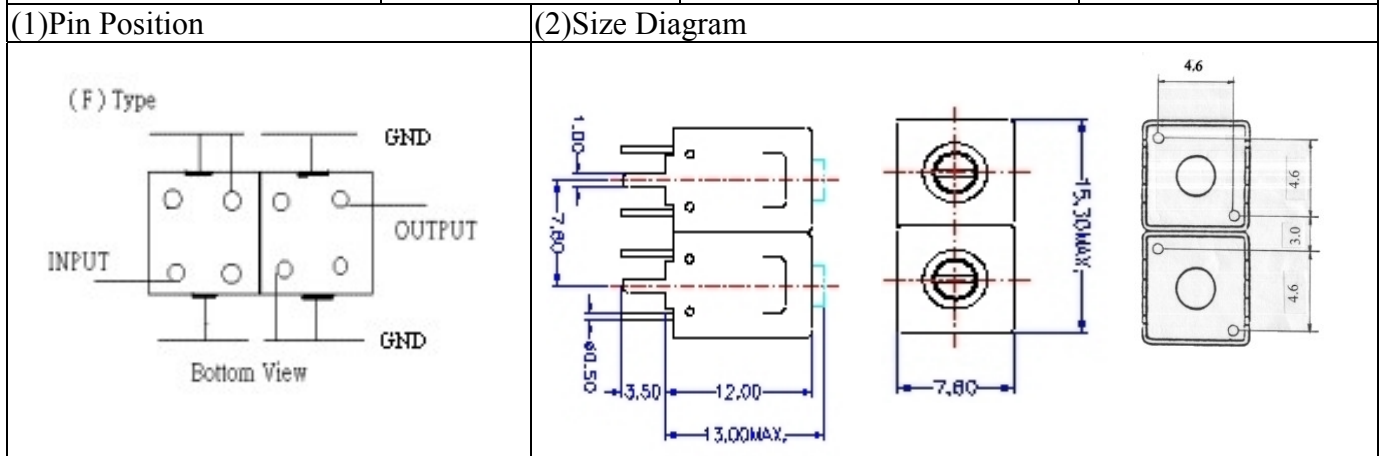


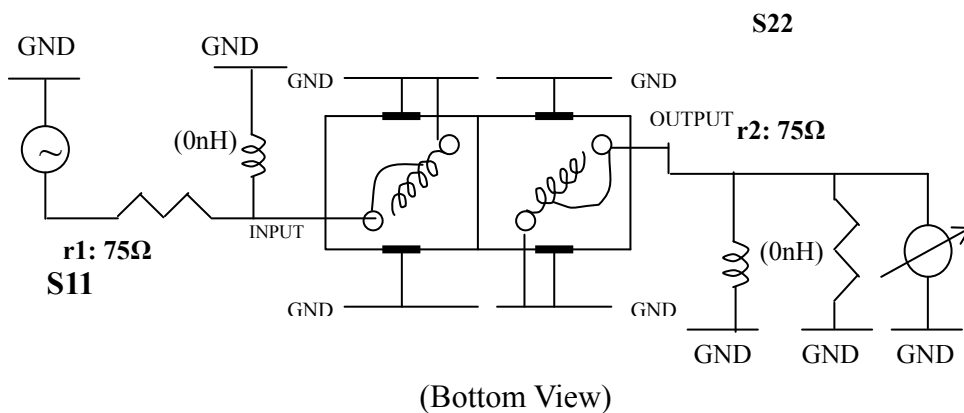
# VHF UHF Helical Filter Specification Sheet

Customer Name		Temwell's Part No.	TDL6222F-525.25M
Approval No. /dated	0612062APR	Acceptable Specify Fo Range	516~555 MHz
Work Instruction No.	0612062DC	Date	Jan.03.2007



(3) Electric Characteristic			
Item	Specify	Performance	
Center Freq.(Fo) +/- 0.5 %	525.25 MHz	525.25 MHz	
Tunable Range	525.25±5 MHz	525.25±5 MHz	
Insertion Loss	Typ. 5 dB	3.76 dB	
-3 dB Bandwidth	Typ. 6 MHz	8.1 MHz	
Sensitivity (Attenuation)	Fo - 20 MHz	Typ. 24 dB	27 dB
	Fo + 20 MHz	Typ. 19 dB	22 dB
	Fo - ( )MHz	Typ. dB	dB
	Fo + ( )MHz	Typ. dB	dB
Return Loss	Min. 12 dB	22.7 dB	
Ripple	< 1 dB	dB	
Impedance	In / Out : 75 Ω	In / Out : 75 Ω	
(4) Torque for Tuning Screw			
> 100gf · cm			
(5) Temperature Condition:			
Operating Temperature	0°C ~ +60°C		
Storage Temperature	-20°C ~ +70°C		
(6) Input Power			
> 1 Watt			

(7) Measuring Circuit: ※ Easy to match Impedance /75Ω by parallel with about ( 0 ) nH.



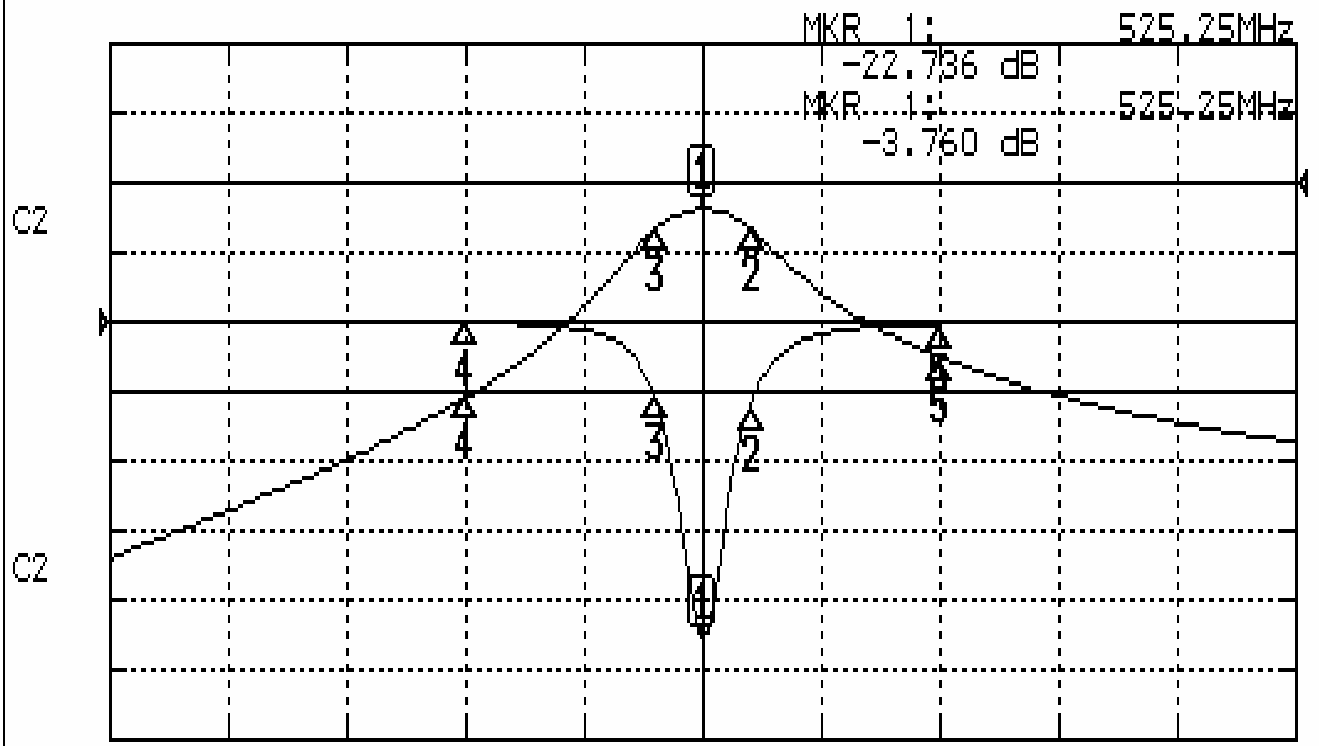
Approval	Supervisor	Designer	Aperture size
C.Y.Chang	C.S.Chang	W.W.Wang	7H2(4*5.35)F 7H046LB4 聚 3

TEMWELL CORPORATION

# Performance-TDL6222F-525.25M

## 0612062DC

CH1 S11 LOG MAG REF 0.000 dB 5.000 dB/  
CH2 S21 LOG MAG REF 0.000 dB 10.000 dB/



CENTER 525.25MHz

[ 10.00 dBm ]

SPAN 100MHz

### CH1 MARKER LIST

1:	525.250MHz	-22.736 dB
2:	529.333MHz	-5.866 dB
3:	521.250MHz	-5.336 dB
4:	505.250MHz	-0.046 dB
5:	545.250MHz	-0.147 dB

### CH2 MARKER LIST

1:	525.250MHz	-3.760 dB
2:	529.333MHz	-6.714 dB
3:	521.250MHz	-6.757 dB
4:	505.250MHz	-30.837 dB
5:	545.250MHz	-25.061 dB