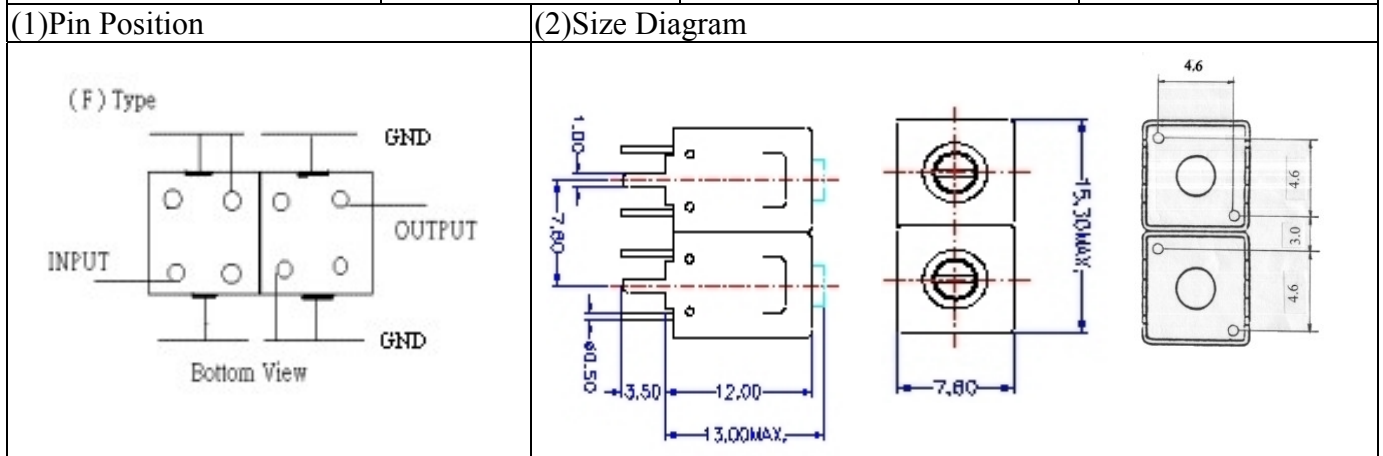


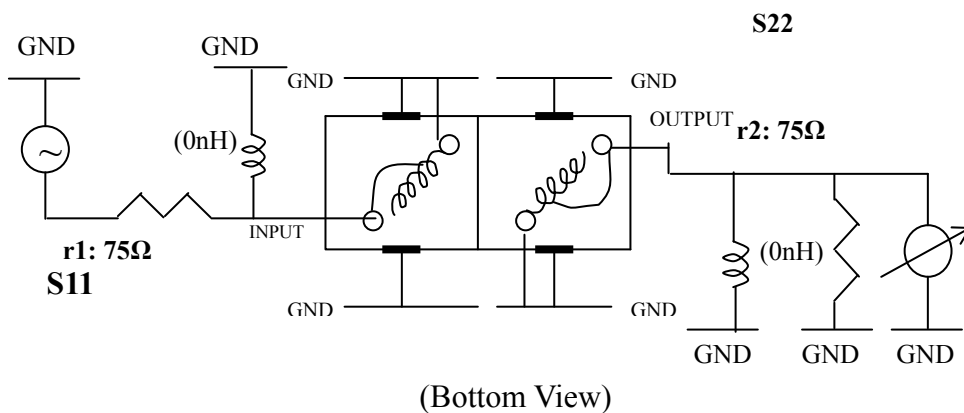
# VHF UHF Helical Filter Specification Sheet

Customer Name		Temwell's Part No.	TDL6221F-519.25M
Approval No. /dated	0612061APR	Acceptable Specify Fo Range	516~555 MHz
Work Instruction No.	0612061DC	Date	Jan.03.2007



(3) Electric Characteristic			
Item	Specify	Performance	
Center Freq.(Fo) +/- 0.5 %	519.25 MHz	519.25 MHz	
Tunable Range	519.25±5 MHz	519.25±5 MHz	
Insertion Loss	Typ. 5 dB	4.03 dB	
-3 dB Bandwidth	Typ. 6 MHz	8.8 MHz	
Sensitivity (Attenuation)	Fo - 20 MHz	Typ. 20 dB	23 dB
	Fo + 20 MHz	Typ. 16 dB	19 dB
	Fo - ( )MHz	Typ. dB	dB
	Fo + ( )MHz	Typ. dB	dB
Return Loss	Min. 12 dB	26.4 dB	
Ripple	< 1 dB	dB	
Impedance	In / Out : 75 Ω	In / Out : 75 Ω	
(4) Torque for Tuning Screw		> 100gf · cm	
(5) Temperature Condition:			
Operating Temperature	0°C ~ +60°C		
Storage Temperature	-20°C ~ +70°C		
(6) Input Power	> 1 Watt		

(7) Measuring Circuit: ※ Easy to match Impedance /75Ω by parallel with about ( 0 ) nH.



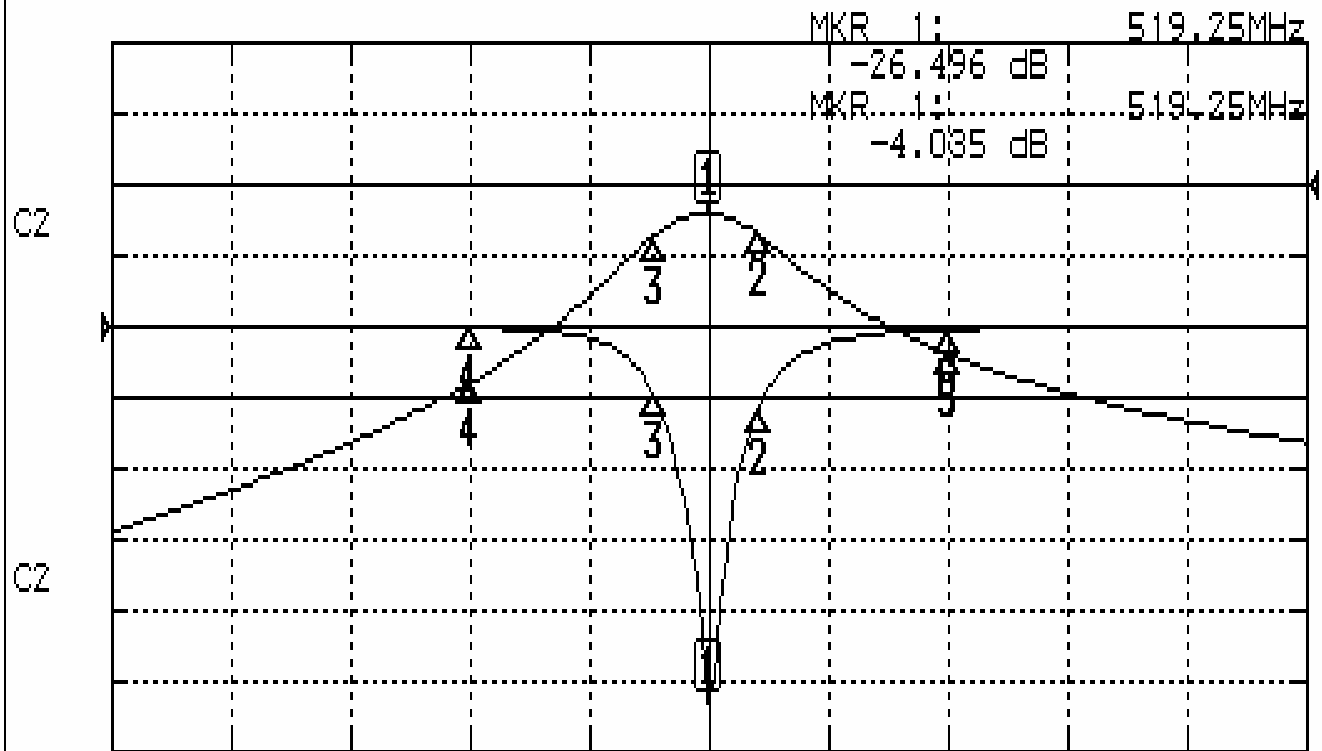
Approval	Supervisor	Designer	Aperture size
C.Y.Chang	C.S.Chang	W.W.Wang	7H2(4*5.35)F 7H046LB4 聚 3

TEMWELL CORPORATION

# Performance-TDL6221F-519.25M

## 0612061DC

**CH1** S11 LOG MAG REF 0.000 dB 5.000 dB/  
**CH2** S21 LOG MAG REF 0.000 dB 10.000 dB/



CENTER 519.25MHz

[ 10.00 dBm ]

SPAN 100MHz

### CH1 MARKER LIST

1:	519.250MHz	-26.496	dB
2:	523.416MHz	-5.849	dB
3:	514.666MHz	-4.740	dB
4:	499.250MHz	-0.082	dB
5:	539.250MHz	-0.207	dB

### CH2 MARKER LIST

1:	519.250MHz	-4.035	dB
2:	523.416MHz	-6.981	dB
3:	514.666MHz	-7.043	dB
4:	499.250MHz	-27.905	dB
5:	539.250MHz	-23.802	dB