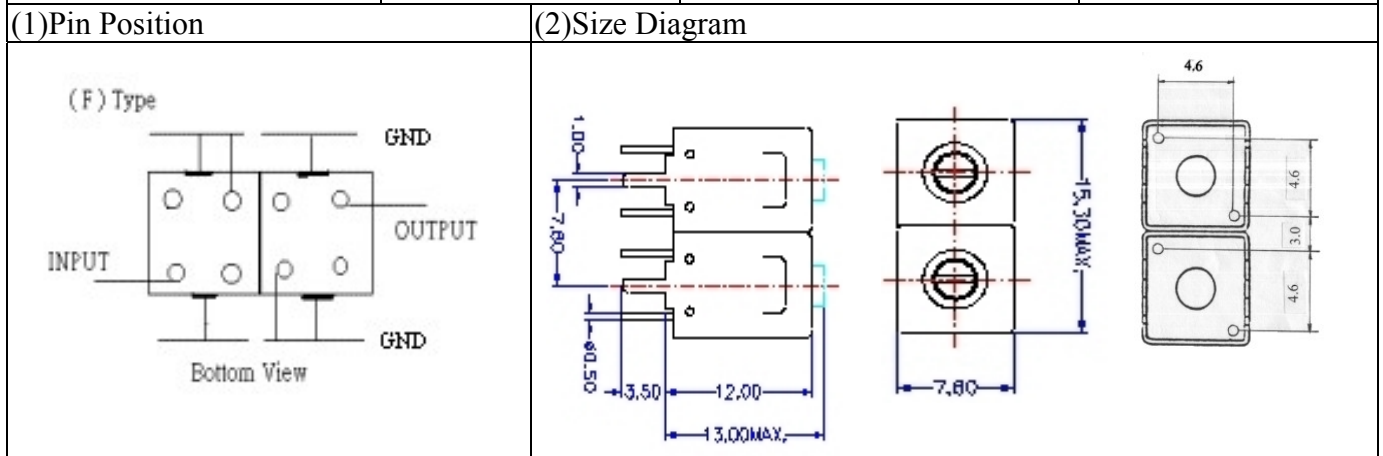


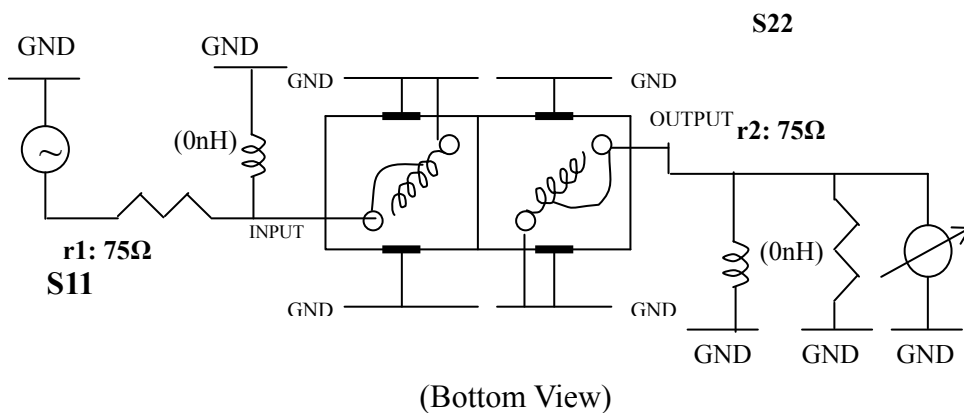
# VHF UHF Helical Filter Specification Sheet

Customer Name		Temwell's Part No.	TDL6220F-513.25M
Approval No. /dated	0612060APR	Acceptable Specify Fo Range	456~515 MHz
Work Instruction No.	0612060DC	Date	Jan.03.2007



(3) Electric Characteristic			
Item		Specify	Performance
Center Freq.(Fo) +/- 0.5 %		513.25 MHz	513.25 MHz
Tunable Range		513.25±5 MHz	513.25±5 MHz
Insertion Loss		Typ. 5.0 dB	4.06 dB
-3 dB Bandwidth		Typ. 6 MHz	8.5 MHz
Sensitivity (Attenuation)	Fo - 20 MHz	Typ. 21 dB	24 dB
	Fo + 20 MHz	Typ. 18 dB	21 dB
	Fo - ( )MHz	Typ. dB	dB
	Fo + ( )MHz	Typ. dB	dB
Return Loss		Min. 12 dB	24.9 dB
Ripple		< 1 dB	dB
Impedance		In / Out : 75 Ω	In / Out : 75 Ω
(4) Torque for Tuning Screw		> 100gf · cm	
(5) Temperature Condition:			
Operating Temperature		0°C ~ +60°C	
Storage Temperature		-20°C ~ +70°C	
(6) Input Power		> 1 Watt	

(7) Measuring Circuit: ※ Easy to match Impedance /75Ω by parallel with about ( 0 ) nH.



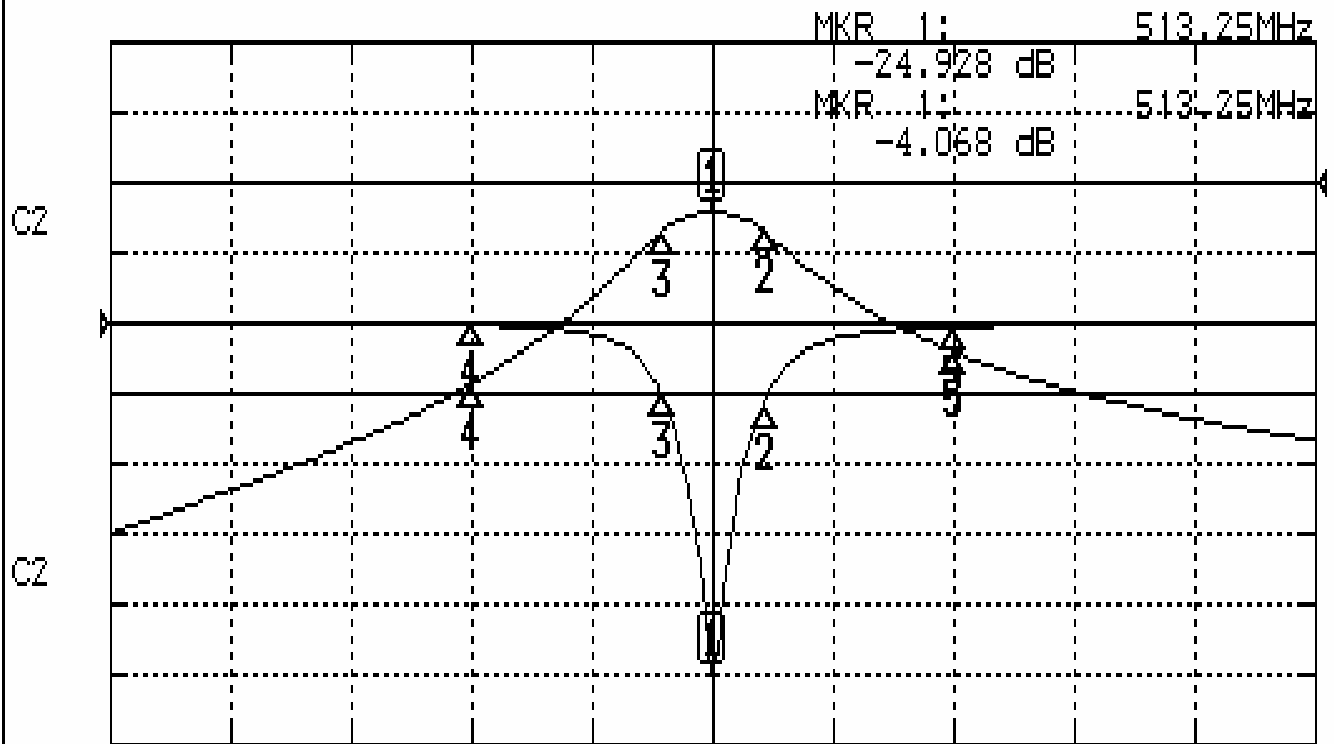
Approval	Supervisor	Designer	Aperture size
C.Y.Chang	C.S.Chang	W.W.Wang	7H2(4*5.35)F 7H046LB4 聚 3

TEMWELL CORPORATION

# Performance-TDL6220F-513.25M

## 0612060DC

CH1 S11 LOG MAG REF 0.000 dB 5.000 dB/  
CH2 S21 LOG MAG REF 0.000 dB 10.000 dB/



CENTER 513.25MHz

[ 10.00 dBm ]

SPAN 100MHz

### CH1 MARKER LIST

1:	513.250MHz	-24.938 dB
2:	517.500MHz	-5.714 dB
3:	509.000MHz	-4.990 dB
4:	493.250MHz	-0.092 dB
5:	533.250MHz	-0.217 dB

### CH2 MARKER LIST

1:	513.250MHz	-4.068 dB
2:	517.500MHz	-6.999 dB
3:	509.000MHz	-7.054 dB
4:	493.250MHz	-28.601 dB
5:	533.250MHz	-24.058 dB