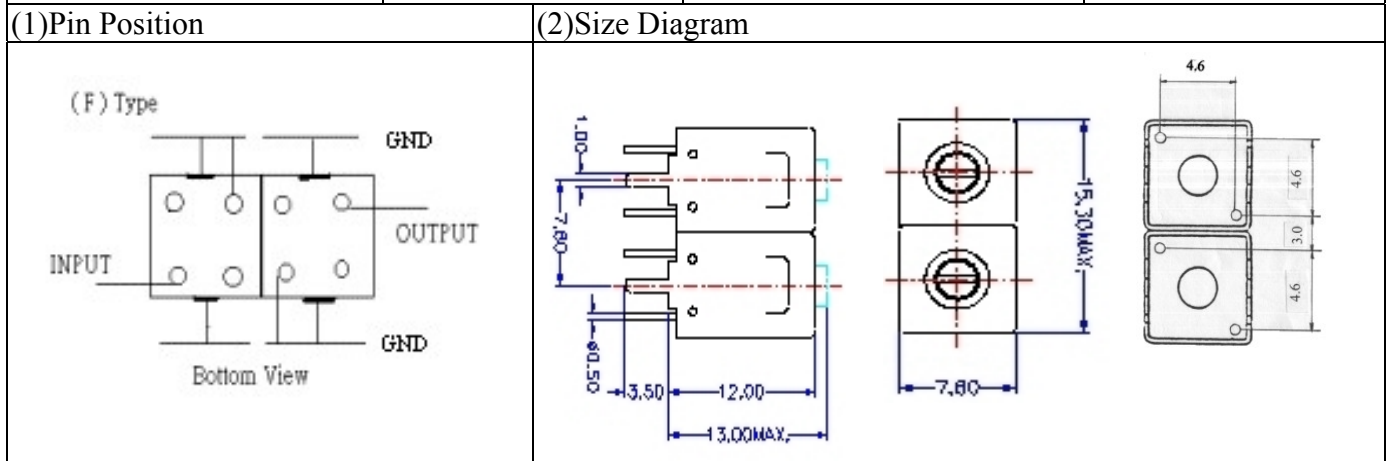


VHF UHF Helical Filter Specification Sheet

Customer Name		Temwell's Part No.	TDL6219F-507.25M
Approval No. /dated	0612059APR	Acceptable Specify Fo Range	456~515 MHz
Work Instruction No.	0612059DC	Date	Jan.03.2007



(3) Electric Charasteric

Item	Specify	Performance
Center Freq.(Fo) +/- 0.5 %	507.25 MHz	507.25 MHz
Tunable Range	507.25±5 MHz	507.25±5 MHz
Insertion Loss	Typ. 5 dB	4.15 dB
-3 dB Bandwidth	Typ. 6 MHz	8.5 MHz
Sensitivity (Attenuation)	Fo - 20 MHz	Typ. 22 dB
	Fo + 20 MHz	Typ. 17 dB
	Fo - ()MHz	Typ. dB
	Fo +()MHz	Typ. dB
Return Loss	Min. 12 dB	24.2 dB
Ripple	< 1 dB	dB
Impedance	In / Out : 75 Ω	In / Out : 75 Ω

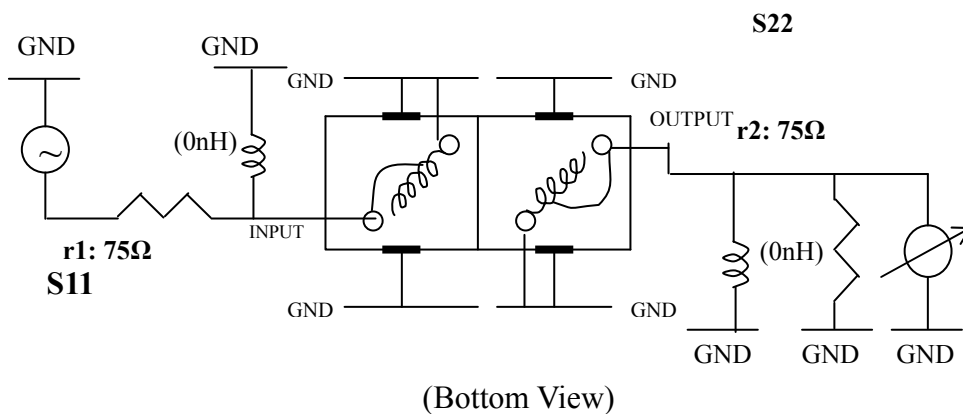
(4) Torque for Tuning Screw > 100gf · cm

(5) Temperature Condition:

Operating Temperature	0°C ~ +60°C
Storage Temperature	-20°C ~ +70°C

(6) Input Power > 1Watt

(7) Measuring Circuit: ※Easy to match Impedance /75Ω by parallel with about (0) nH.



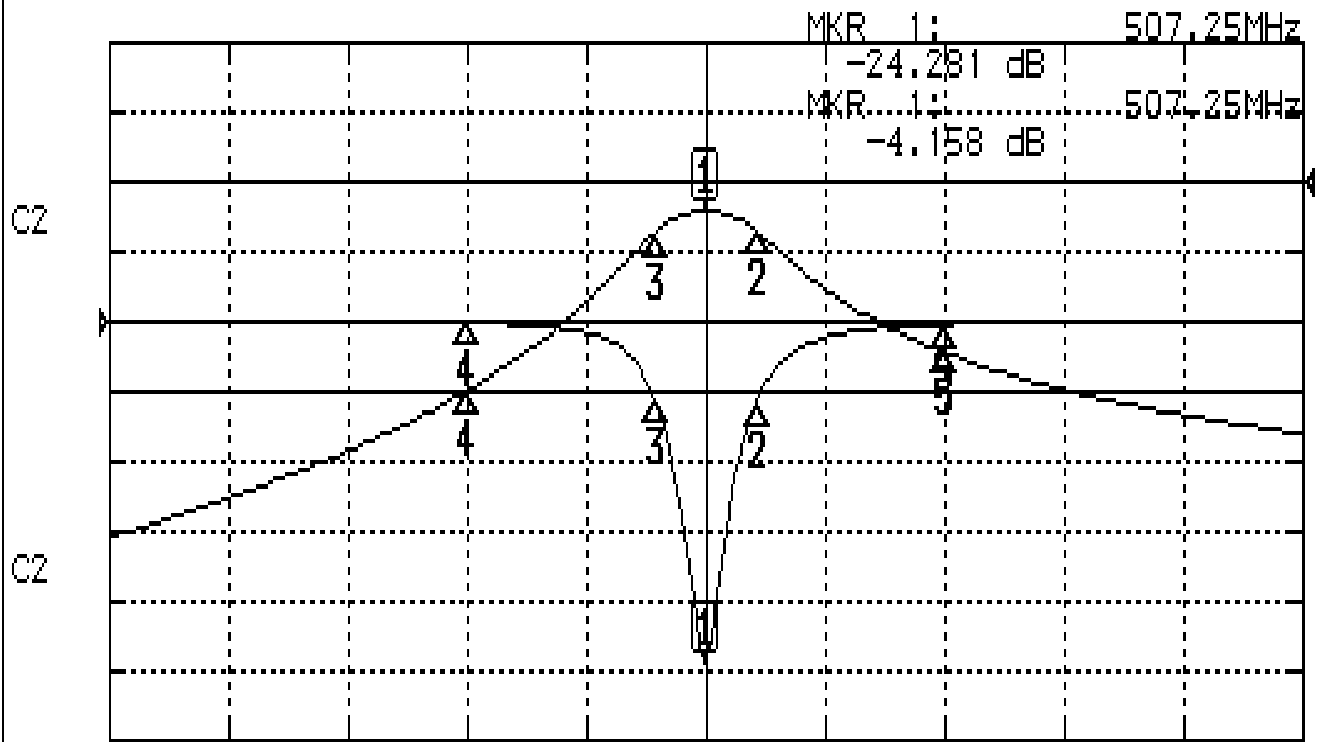
Approval	Supervisor	Designer	Aperture size
C.Y.Chang	C.S.Chang	W.W.Wang	7H2(4*5.35)F 7H046LB4 聚 3

TEMWELL CORPORATION

Performance-TDL6219F-507.25M

0612059DC

CH1 S11 LOG MAG REF 0.000 dB 5.000 dB/
CH2 S21 LOG MAG REF 0.000 dB 10.000 dB/



CENTER 507.25MHz

[10.00 dBm]

SPAN 100MHz

CH1 MARKER LIST

1:	507.250MHz	-24.281 dB
2:	511.500MHz	-15.789 dB
3:	503.000MHz	-15.484 dB
4:	487.250MHz	-0.060 dB
5:	527.250MHz	-0.172 dB

CH2 MARKER LIST

1:	507.250MHz	-4.158 dB
2:	511.500MHz	-7.090 dB
3:	503.000MHz	-7.176 dB
4:	487.250MHz	-29.814 dB
5:	527.250MHz	-24.334 dB