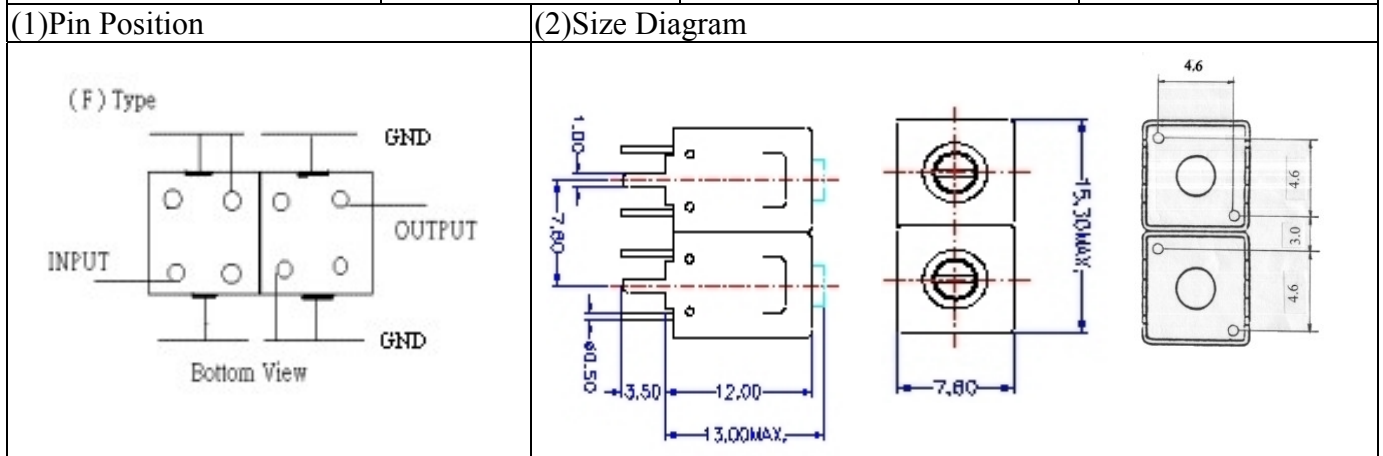


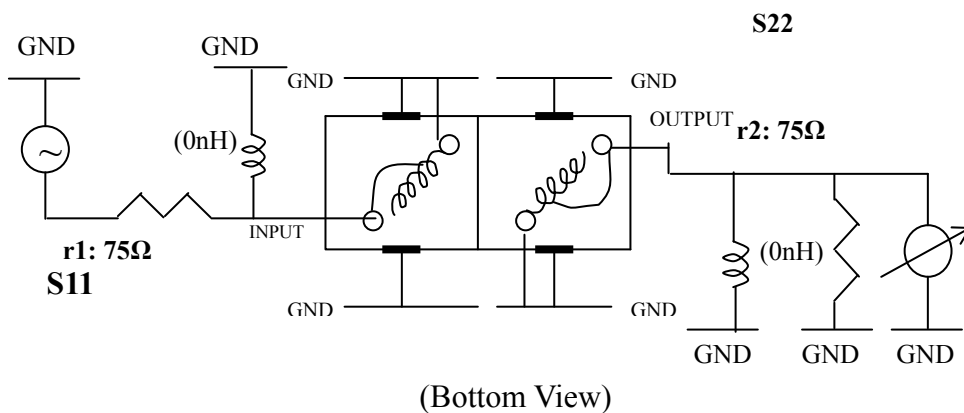
# VHF UHF Helical Filter Specification Sheet

Customer Name		Temwell's Part No.	TDL6218F-501.25M
Approval No. /dated	0612058APR	Acceptable Specify Fo Range	456~515 MHz
Work Instruction No.	0612058DC	Date	Janc.02.2007



(3) Electric Character			
Item		Specify	Performance
Center Freq.(Fo) +/- 0.5 %		501.25 MHz	501.25 MHz
Tunable Range		501.25±5 MHz	501.25±5 MHz
Insertion Loss		Typ. 4.5 dB	3.46 dB
-3 dB Bandwidth		Typ. 6 MHz	8.5 MHz
Sensitivity (Attenuation)	Fo - 20 MHz	Typ. 23 dBc	26 dBc
	Fo + 20 MHz	Typ. 17 dBc	20 dBc
	Fo - ( )MHz	Typ. dBc	dBc
	Fo + ( )MHz	Typ. dBc	dBc
Return Loss		Min. 12 dB	37.2 dB
Ripple		< 1 dB	dB
Impedance		In / Out : 75 Ω	In / Out : 75 Ω
(4) Torque for Tuning Screw		> 100gf · cm	
(5) Temperature Condition:			
Operating Temperature		0°C ~ +60°C	
Storage Temperature		-20°C ~ +70°C	
(6) Input Power		> 1 Watt	

(7) Measuring Circuit: ※ Easy to match Impedance /75Ω by parallel with about ( 0 ) nH.

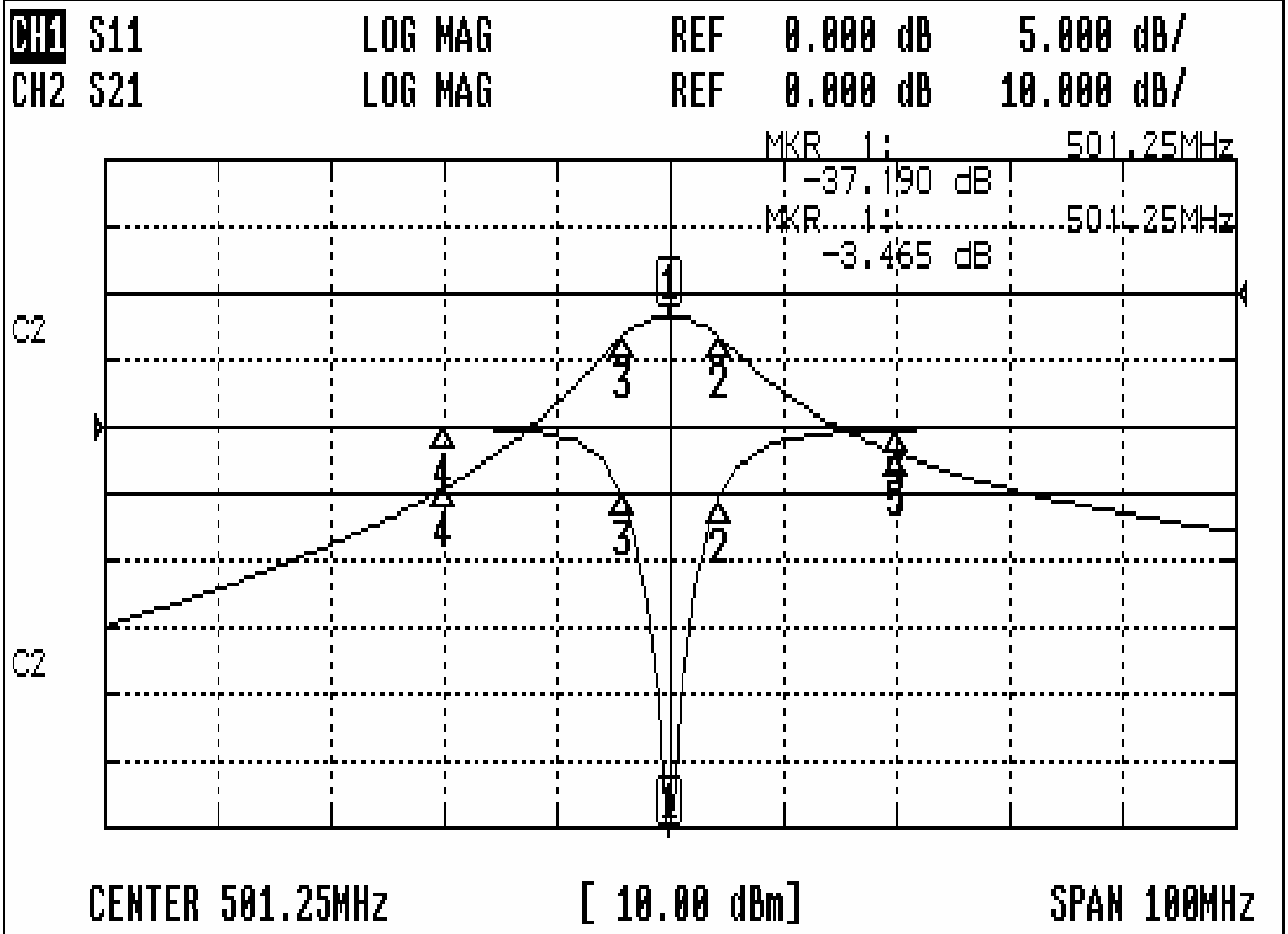


Approval	Supervisor	Designer	Aperture size
C.Y.Chang	C.S.Chang	W.W.Wang	7H2(4*5.35)F 7H046LB4 聚 3

TEMWELL CORPORATION

# Performance-TDL6218F-501.25M

## 0612058DC



### CH1 MARKER LIST

1:	501.250MHz	-37.290 dB
2:	505.500MHz	-5.638 dB
3:	497.000MHz	-5.108 dB
4:	481.250MHz	-0.040 dB
5:	521.250MHz	-0.186 dB
6:		
7:		
8:		
9:		
10:		

### CH2 MARKER LIST

1:	501.250MHz	-3.465 dB
2:	505.500MHz	-6.465 dB
3:	497.000MHz	-6.514 dB
4:	481.250MHz	-29.116 dB
5:	521.250MHz	-23.941 dB
6:		
7:		
8:		
9:		
10:		