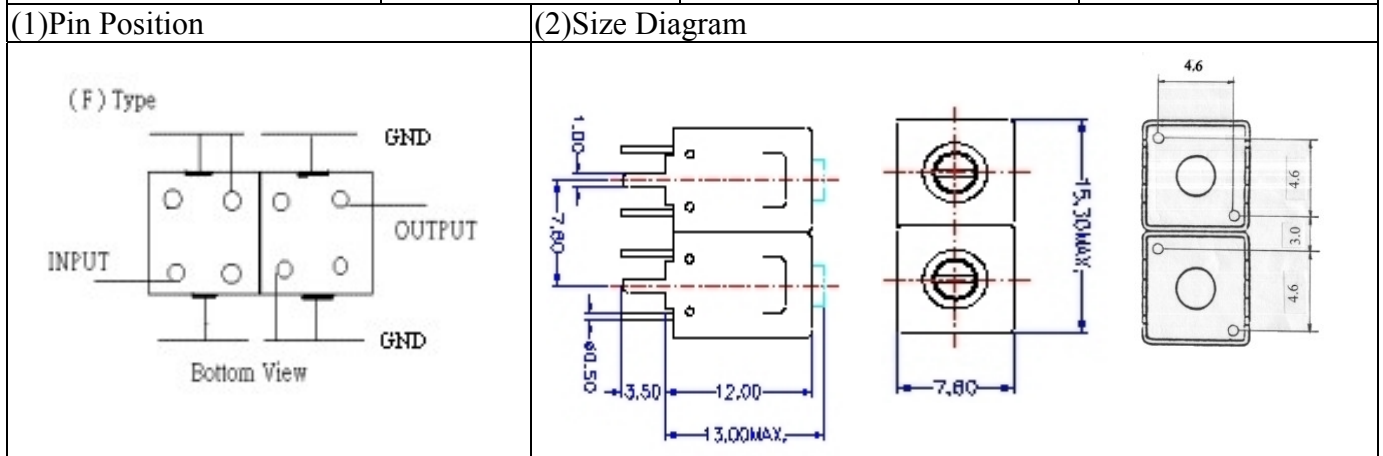


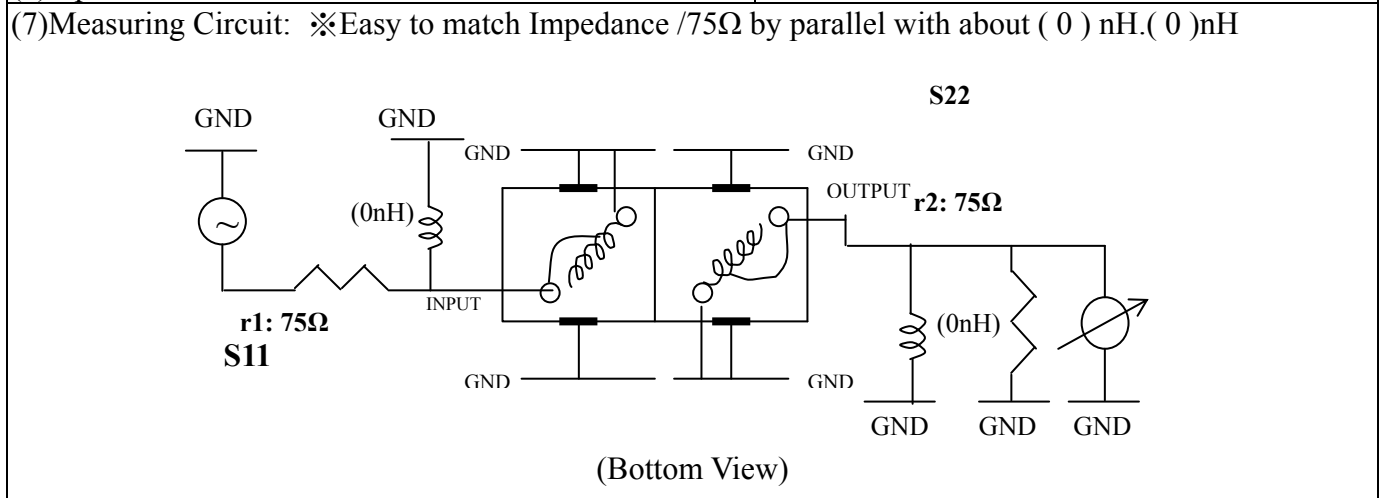
VHF UHF Helical Filter Specification Sheet

Customer Name		Temwell's Part No.	TDL6216F-489.25M
Approval No. /dated	0612056APR	Acceptable Specify Fo Range	456~515 MHz
Work Instruction No.	0612056DC	Date	Jan.02.2007



(3) Electric Characteristic			
Item		Specify	Performance
Center Freq.(Fo) +/- 0.5 %		489.25 MHz	489.25 MHz
Tunable Range		489.25±5 MHz	489.25±5 MHz
Insertion Loss		Typ. 5 dB	3.96 dB
-3 dB Bandwidth		Typ. 6 MHz	7.7 MHz
Sensitivity (Attenuation)	Fo - 20 MHz	Typ. 26 dBc	29 dBc
	Fo + 20 MHz	Typ. 19 dBc	22 dBc
	Fo - ()MHz	Typ. dBc	dBc
	Fo + ()MHz	Typ. dBc	dBc
Return Loss		Min. 12 dB	24.1 dB
Ripple		< 1 dB	dB
Impedance		In / Out : 75 Ω	In / Out : 75 Ω
(4) Torque for Tuning Screw		> 100gf · cm	

(5) Temperature Condition:	
Operating Temperature	0°C ~ +60°C
Storage Temperature	-20°C ~ +70°C
(6) Input Power	> 1 Watt



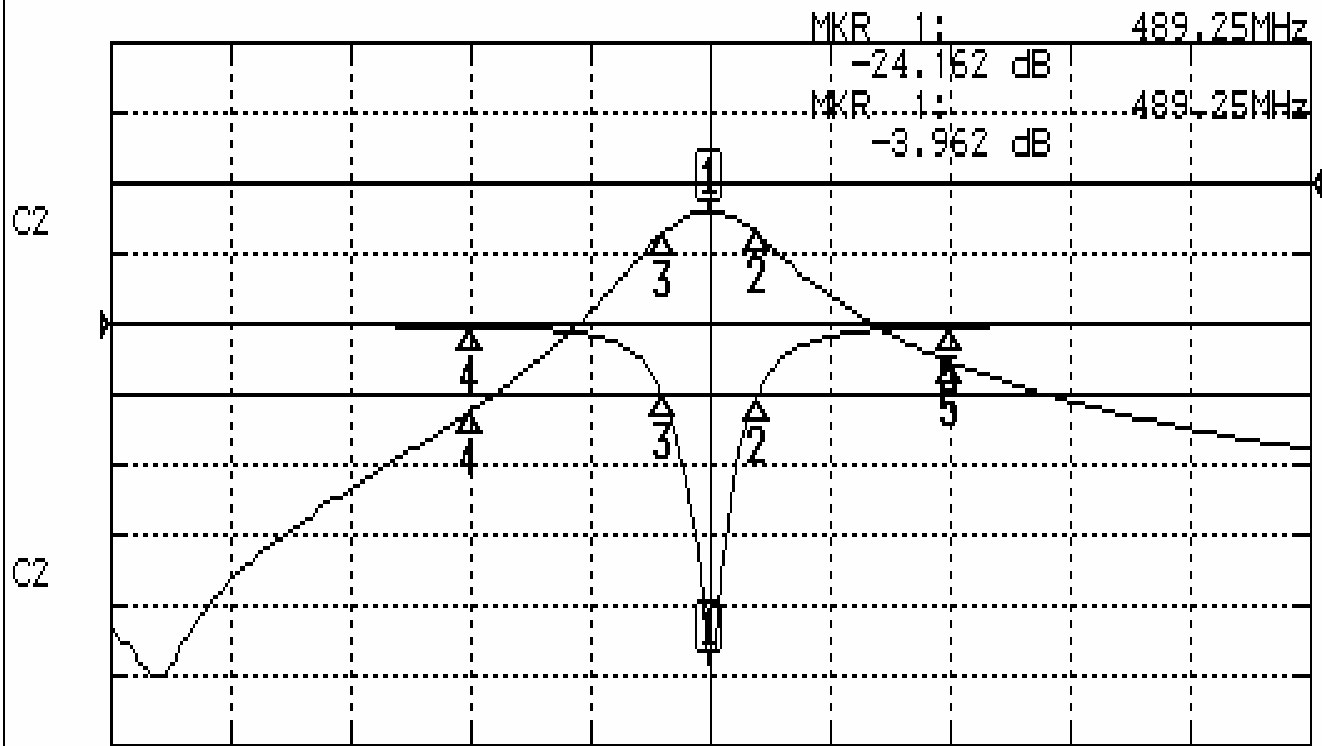
Approval	Supervisor	Designer	Aperture size
C.Y.Chang	C.S.Chang	W.W.Wang	7H2(4*5.35)F 7H046LB4 聚 3

TEMWELL CORPORATION

Performance-TDL6216F-489.25M

0612056DC

CH1	S11	LOG MAG	REF	0.000 dB	5.000 dB/
CH2	S21	LOG MAG	REF	0.000 dB	10.000 dB/



CENTER 489.25MHz

[10.00 dBm]

SPAN 100MHz

CH1 MARKER LIST

1:	489.250MHz	-24.162	dB
2:	493.083MHz	-15.277	dB
3:	485.333MHz	-15.135	dB
4:	469.250MHz	-0.215	dB
5:	509.250MHz	-0.191	dB

CH2 MARKER LIST

1:	489.250MHz	-3.962	dB
2:	493.083MHz	-16.970	dB
3:	485.333MHz	-16.922	dB
4:	469.250MHz	-0.264	dB
5:	509.250MHz	-25.872	dB