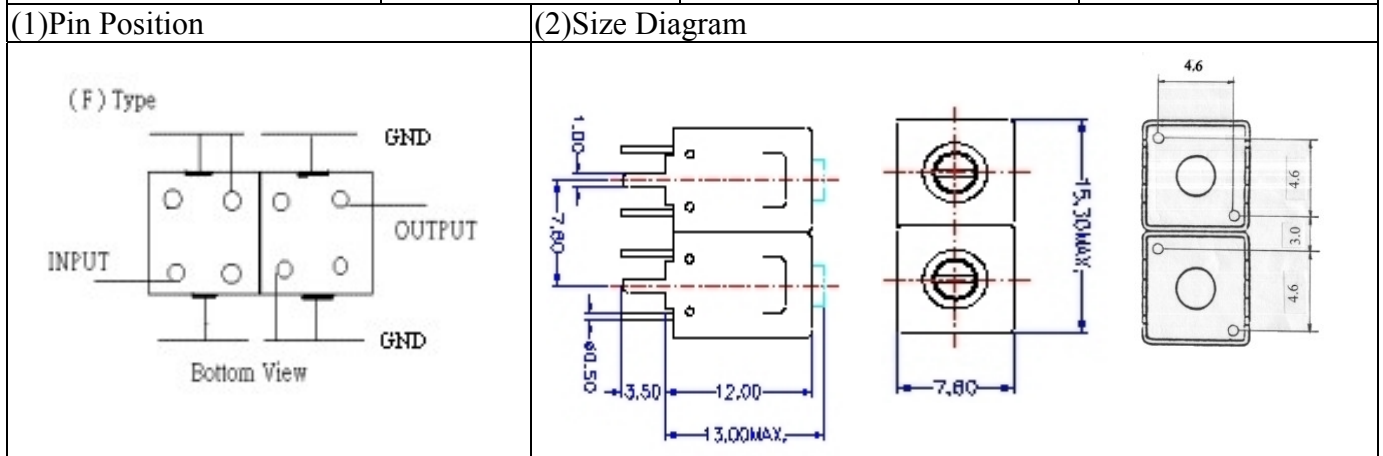
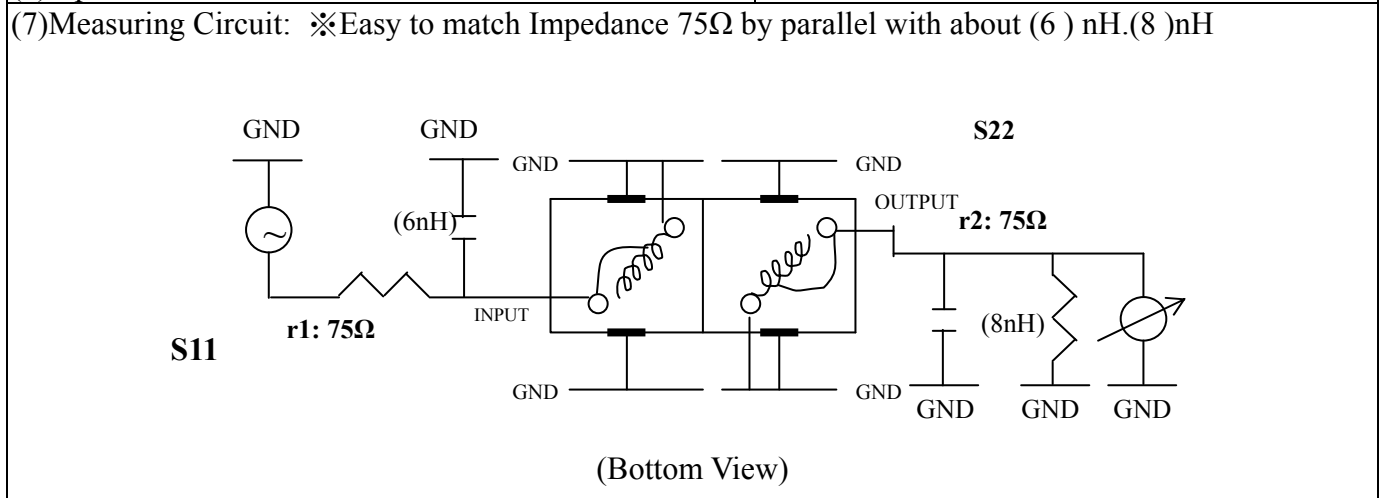


VHF UHF Helical Filter Specification Sheet

Customer Name		Temwell's Part No.	TDL6213F-471.25M
Approval No. /dated	0612053APR	Acceptable Specify Fo Range	456~515 MHZ
Work Instruction No.	0612053DC	Date	Dec.29.2006



(3) Electric Characteristic			
Item	Specify	Performance	
Center Freq.(Fo) +/- 0.5 %	471.25 MHz	471.25 MHz	
Tunable Range	471.25±5 MHz	471.25±5 MHz	
Insertion Loss	Typ. 5.5 dB	4.61 dB	
-3 dB Bandwidth	Typ. 6 MHz	7.9 MHz	
Sensitivity (Attenuation)	Fo - 20 MHz	Typ. 22 dB	25 dB
	Fo + 20 MHz	Typ. 18 dB	21 dB
	Fo - ()MHz	Typ. dB	dB
	Fo +()MHz	Typ. dB	dB
Return Loss	Min. 12 dB	15.7 dB	
Ripple	< 1 dB	dB	
Impedance	In / Out : 75 Ω	In / Out : 75 Ω	
(4) Torque for Tuning Screw		> 100gf · cm	
(5) Temperature Condition:			
Operating Temperature	0°C ~ +60°C		
Storage Temperature	-20°C ~ +80°C		
(6) Input Power	> 1 Watt		

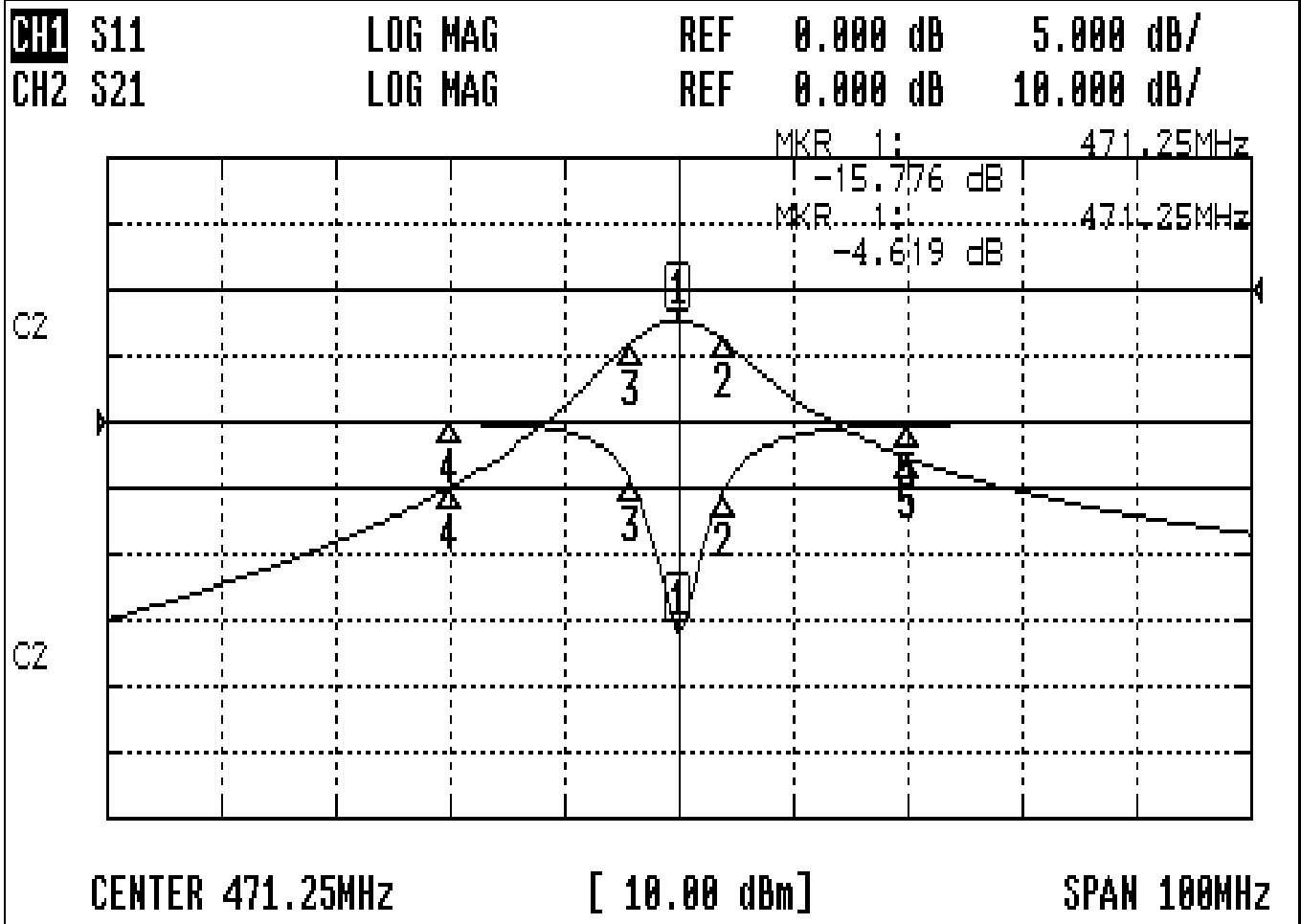


Approval	Supervisor	Designer	Aperture size
C.Y.Chang	C.S.Chang	W.W.Wang	7H2(4*4.65)F 7H046LB4 聚 3

TEMWELL CORPORATION

Performance-TDL6213F-471.25M

0612053DC



CH1 MARKER LIST

1:	471.250MHz	-15.749 dB
2:	475.083MHz	-5.449 dB
3:	467.166MHz	-4.474 dB
4:	451.250MHz	-0.079 dB
5:	491.250MHz	-0.224 dB

CH2 MARKER LIST

1:	471.250MHz	-4.619 dB
2:	475.083MHz	-7.549 dB
3:	467.166MHz	-7.706 dB
4:	451.250MHz	-29.886 dB
5:	491.250MHz	-25.284 dB