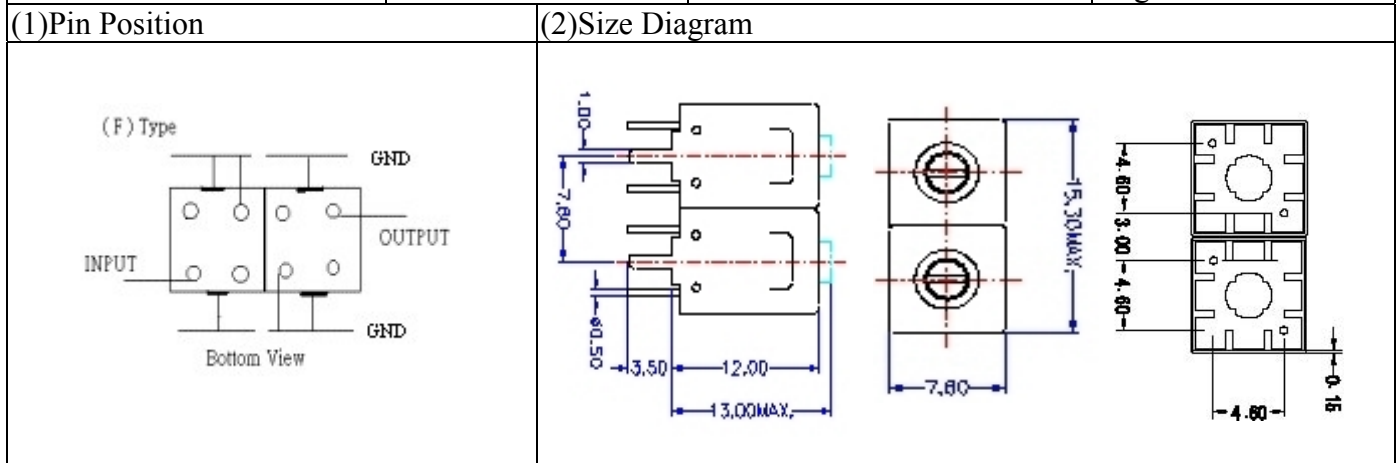


VHF UHF Helical Filter Specification Sheet

Customer Name		Temwell's Part No.	TDL62125F-227.5M
Approval No. /dated	0707318APR	Acceptable Specify Fo Range	221~245 MHz
Work Instruction No.	0707318DC	Date	Aug.21.2007



(3) Electric Charasteric

Item	Specify	Performance	
Center Freq.(Fo) +/- 0.75 %	227.5 MHz	227.5 MHz	
Tunable Range	Typ. 227.5±4 MHz	227.5±4 MHz	
Insertion Loss	Typ. 2.5 dB	1.51 dB	
-3 dB Bandwidth	Typ. 10 MHz	11.4 MHz	
Sensitivity (Attenuation)	Fo - 30 MHz	Typ. 26 dB	29 dB
	Fo + 30 MHz	Typ. 26 dB	29 dB
	Fo - ()MHz	Typ. dB	dB
	Fo +()MHz	Typ. dB	dB
Return Loss	Min. 12 dB	23.0 dB	
Ripple	< 1 dB	dB	
Impedance	In / Out : 75 Ω	In / Out : 75 Ω	

(4) Torque for Tuning Screw

	>100gf • cm
--	-------------

(5) Temperature Condition:

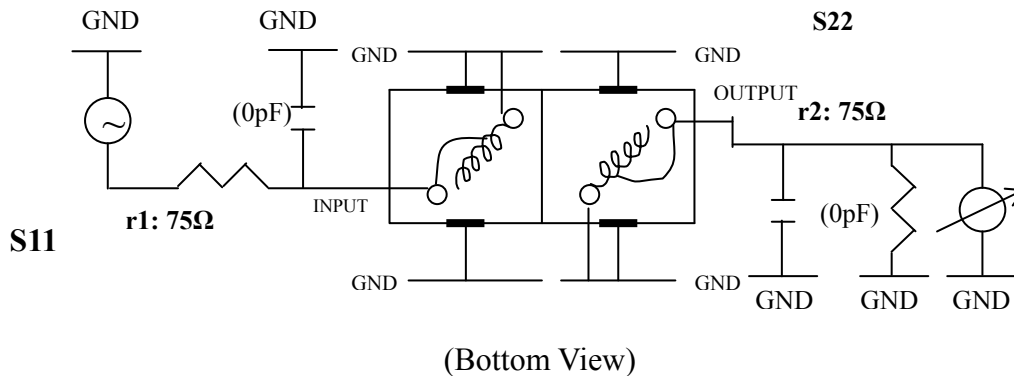
Operating Temperature	30°C ~ +70°C
-----------------------	--------------

Storage Temperature	-30°C ~ +80°C
---------------------	---------------

(6) Input Power

	> 1Watt
--	---------

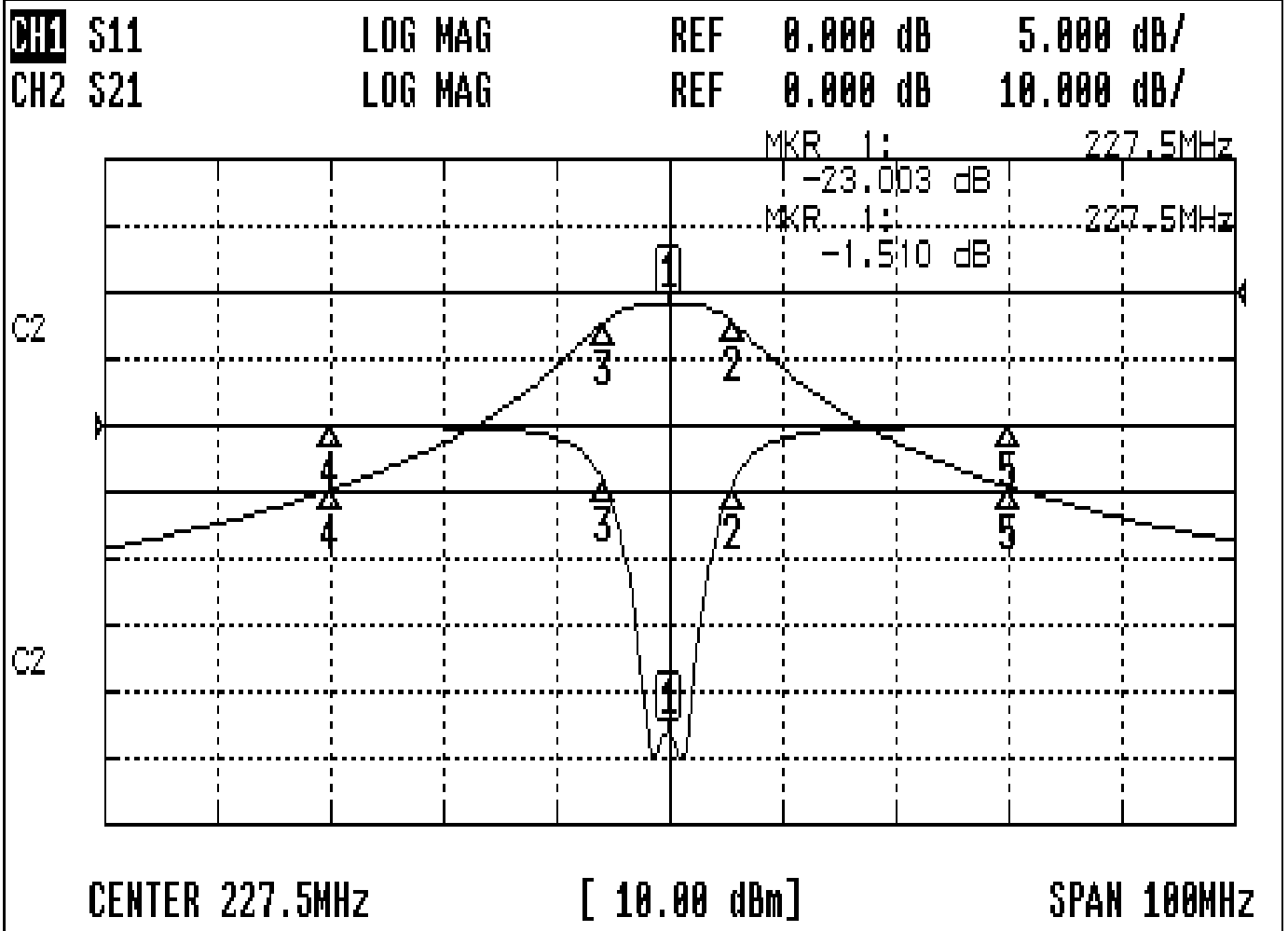
(7) Measuring Circuit: ※Easy to match Impedance 75Ω by parallel with about (0) pF.



Approval	Supervisor	Designer	Aperture size
C.Y.Chang	C.S.Chang	P.H.Chiang	7H2(4*6.5)(6.57) 7H024LB4
TEMWELL CORPORATION			

Performance-TDL62125F-227.5M

0707318DC



CH1 MARKER LIST

1:	227.500MHz	-23.003 dB
2:	233.083MHz	-4.435 dB
3:	221.666MHz	-4.203 dB
4:	197.500MHz	-0.065 dB
5:	257.500MHz	-0.052 dB

CH2 MARKER LIST

1:	227.500MHz	-1.510 dB
2:	233.083MHz	-4.521 dB
3:	221.666MHz	-4.542 dB
4:	197.500MHz	-29.595 dB
5:	257.500MHz	-29.145 dB