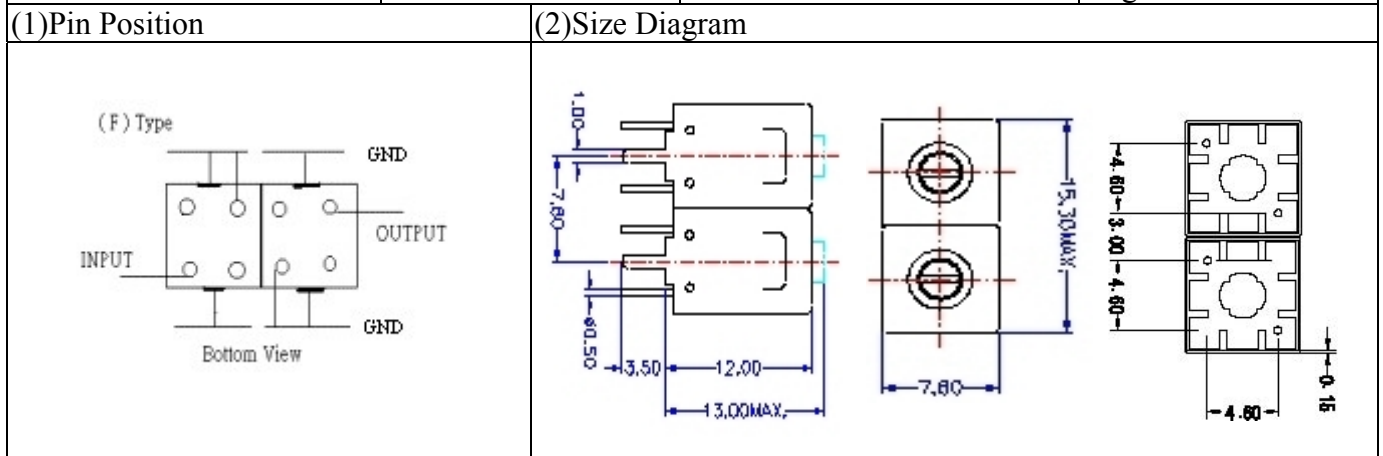


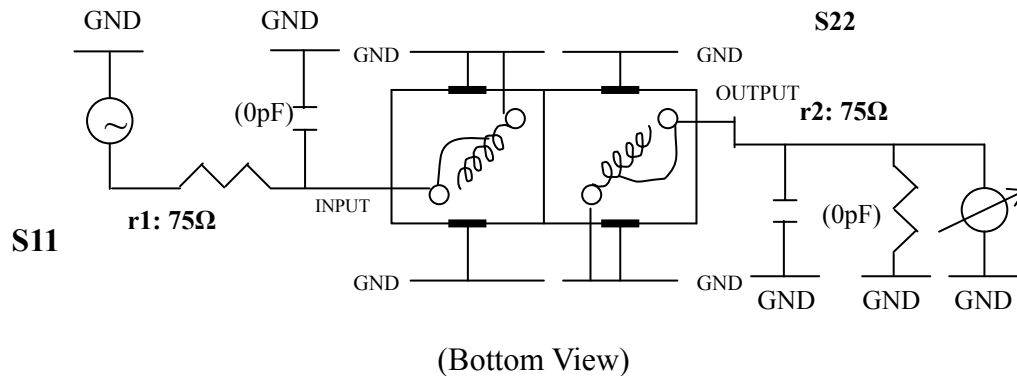
# VHF UHF Helical Filter Specification Sheet

Customer Name		Temwell's Part No.	TDL62122F-206.5M
Approval No. /dated	0707315APR	Acceptable Specify Fo Range	196~220 MHz
Work Instruction No.	0707315DC	Date	Aug.20.2007



(3) Electric Characteristic			
Item		Specify	Performance
Center Freq.(Fo) +/- 0.75 %		206.5 MHz	206.5 MHz
Tunable Range		Typ. 206.5±4 MHz	206.5±4 MHz
Insertion Loss		Typ. 2.5 dB	1.55 dB
-3 dB Bandwidth		Typ. 10 MHz	11.1 MHz
Sensitivity (Attenuation)	Fo - 30 MHz	Typ. 27 dB	30 dB
	Fo + 30 MHz	Typ. 25 dB	28 dB
	Fo - ( )MHz	Typ. dB	dB
	Fo +( )MHz	Typ. dB	dB
Return Loss		Min. 12 dB	29.0 dB
Ripple		< 1 dB	dB
Impedance		In / Out : 75 Ω	In / Out : 75 Ω
(4) Torque for Tuning Screw		> 100gf · cm	
(5) Temperature Condition:			
Operating Temperature		30°C ~ +70°C	
Storage Temperature		-30°C ~ +80°C	
(6) Input Power		> 1 Watt	

(7) Measuring Circuit: ※Easy to match Impedance 75Ω by parallel with about ( 0 ) pF.



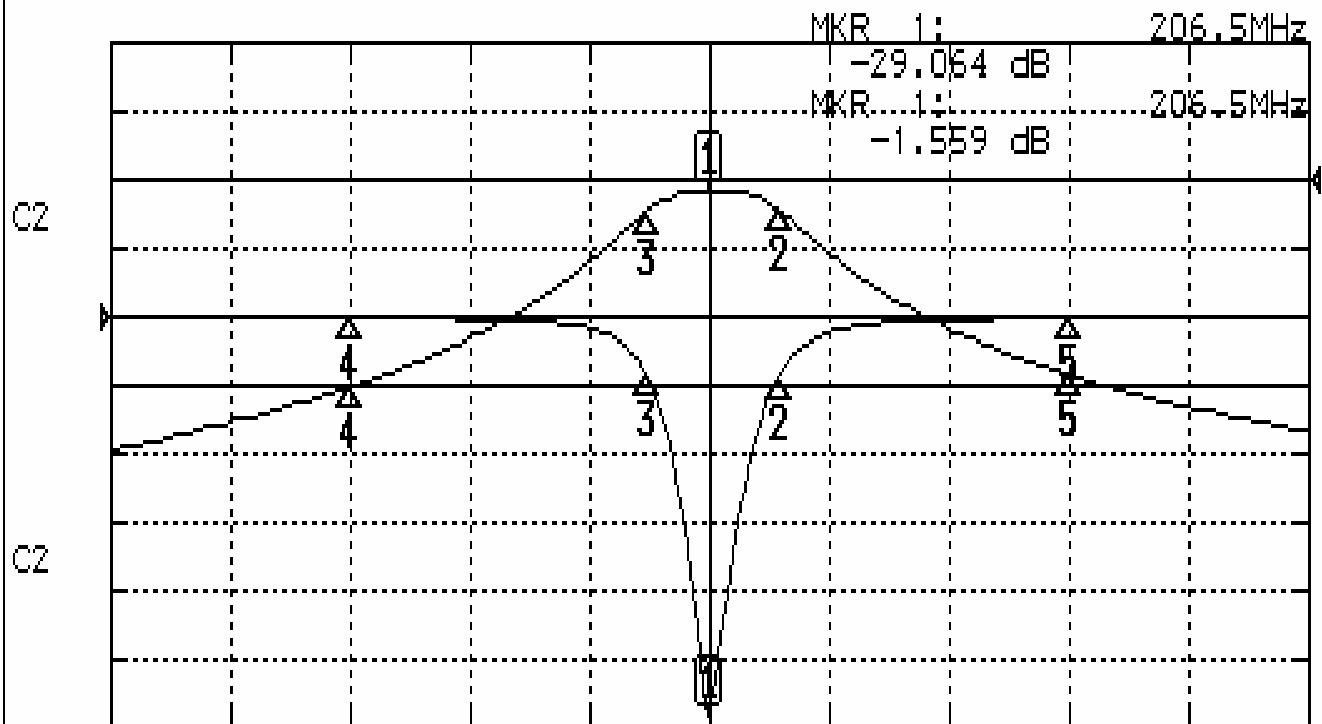
Approval	Supervisor	Designer	Aperture size
C.Y.Chang	C.S.Chang	P.H.Chiang	7H2(4*6.5)(6.59) 7H024LB4

TEMWELL CORPORATION

# Performance-TDL62122F-206.5M

## 0707315DC

CH1 S11 LOG MAG REF 0.000 dB 5.000 dB/  
CH2 S21 LOG MAG REF 0.000 dB 10.000 dB/



CENTER 206.5MHz

[ 10.00 dBm ]

SPAN 100MHz

### CH1 MARKER LIST

1:	206.500MHz	-29.064 dB
2:	212.333MHz	-4.285 dB
3:	201.250MHz	-4.154 dB
4:	176.500MHz	-0.084 dB
5:	236.500MHz	-0.100 dB

### CH2 MARKER LIST

1:	206.500MHz	-1.557 dB
2:	212.333MHz	-4.539 dB
3:	201.250MHz	-4.600 dB
4:	176.500MHz	-30.147 dB
5:	236.500MHz	-28.445 dB