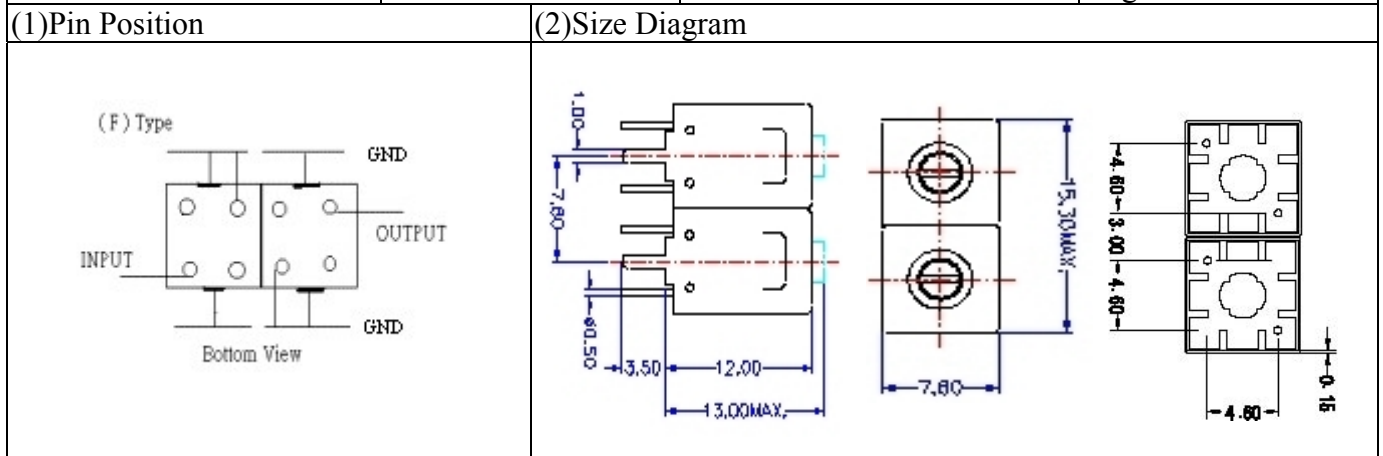


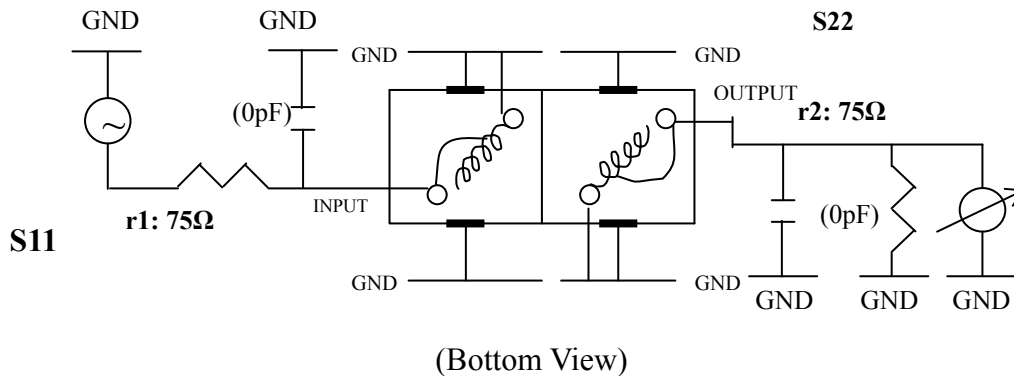
VHF UHF Helical Filter Specification Sheet

Customer Name		Temwell's Part No.	TDL62111F-129.5M
Approval No. /dated	0707304APR	Acceptable Specify Fo Range	126~145 MHz
Work Instruction No.	0707304DC	Date	Aug.14.2007



(3) Electric Characteristic			
Item		Specify	Performance
Center Freq.(Fo) +/- 0.75 %		129.5 MHz	129.5 MHz
Tunable Range		Typ. 129.5±2 MHz	129.5±2 MHz
Insertion Loss		Typ. 2.5 dB	1.80 dB
-3 dB Bandwidth		Typ. 8 MHz	9.6 MHz
Sensitivity (Attenuation)	Fo - 30 MHz	Typ. 29 dB	32 dB
	Fo + 30 MHz	Typ. 30 dB	33 dB
	Fo - ()MHz	Typ. dB	dB
	Fo +()MHz	Typ. dB	dB
Return Loss		Min. 12 dB	37.5 dB
Ripple		< 1 dB	dB
Impedance		In / Out : 75 Ω	In / Out : 75 Ω
(4) Torque for Tuning Screw		> 100gf · cm	
(5) Temperature Condition:			
Operating Temperature		30°C ~ +70°C	
Storage Temperature		-30°C ~ +80°C	
(6) Input Power		> 1 Watt	

(7) Measuring Circuit: ※ Easy to match Impedance 75Ω by parallel with about (0) pF.

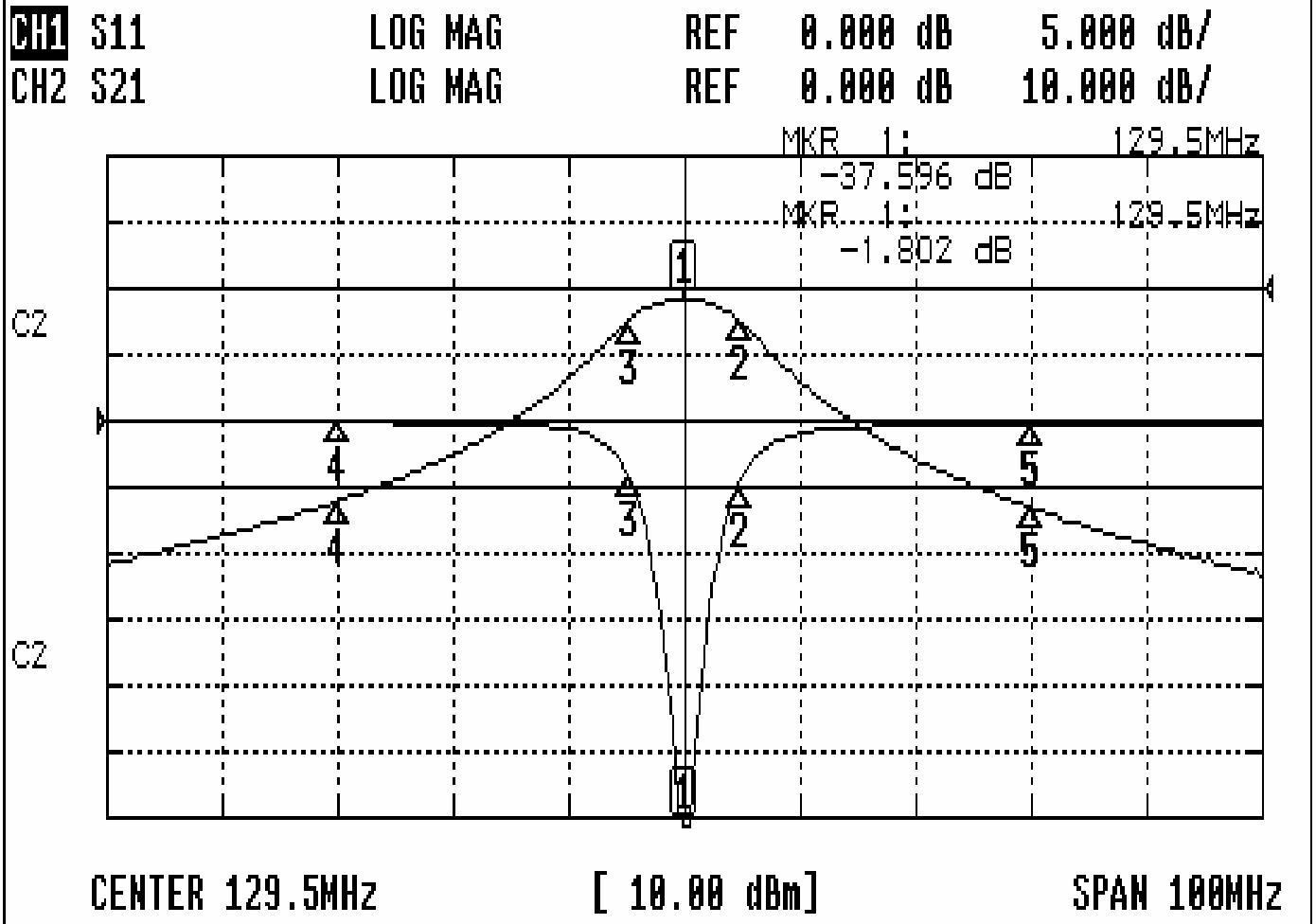


Approval	Supervisor	Designer	Aperture size
C.Y.Chang	C.S.Chang	P.H.Chiang	7H2(4*6.5)(6.56) 7H00LB4

TEMWELL CORPORATION

Performance-TDL6211F-129.5M

0707304DC



CH1 MARKER LIST

1:	129.500MHz	-37.528	dB
2:	134.250MHz	-4.803	dB
3:	124.666MHz	-4.061	dB
4:	99.500MHz	-0.131	dB
5:	159.500MHz	-0.250	dB

CH2 MARKER LIST

1:	129.500MHz	-1.802	dB
2:	134.250MHz	-4.899	dB
3:	124.666MHz	-4.880	dB
4:	99.500MHz	-32.140	dB
5:	159.500MHz	-33.104	dB