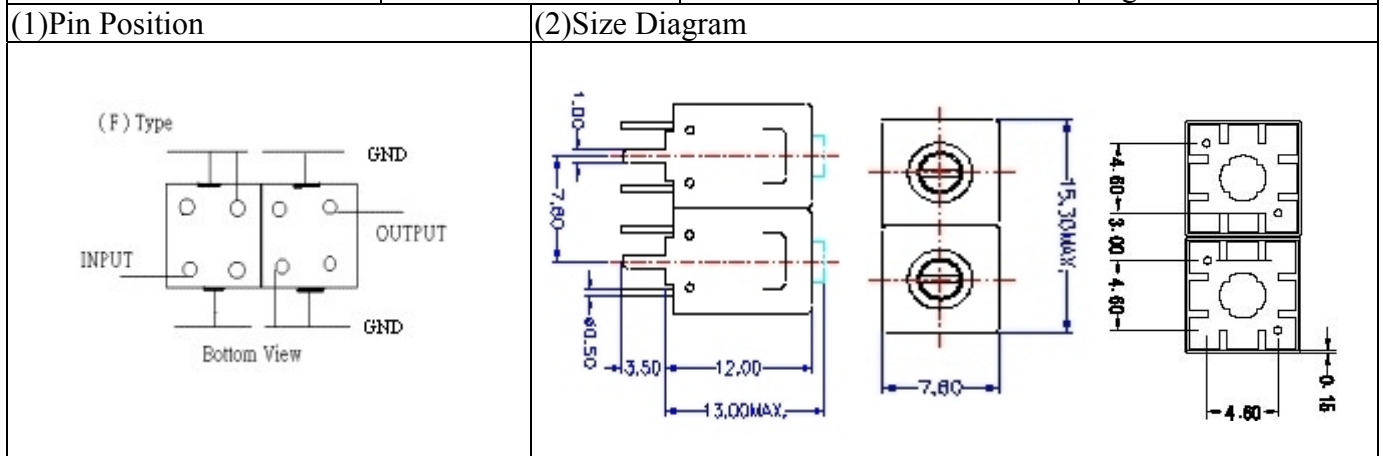


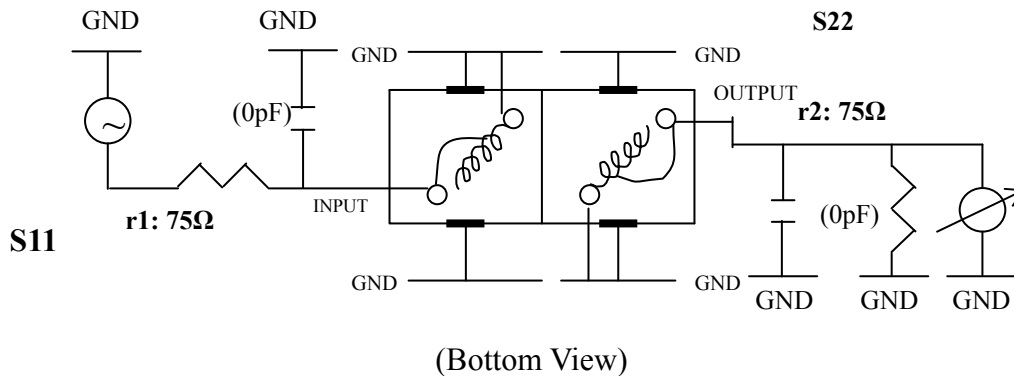
# VHF UHF Helical Filter Specification Sheet

|                      |            |                             |                  |
|----------------------|------------|-----------------------------|------------------|
| Customer Name        |            | Temwell's Part No.          | TDL62110F-122.5M |
| Approval No. /dated  | 0707303APR | Acceptable Specify Fo Range | 108~125 MHz      |
| Work Instruction No. | 0707303DC  | Date                        | Aug.03.2007      |



| (3) Electric Characteristic  |             |                  |                 |
|------------------------------|-------------|------------------|-----------------|
| Item                         |             | Specify          | Performance     |
| Center Freq.(Fo) +/- 0.75 %  |             | 122.5 MHz        | 122.5 MHz       |
| Tunable Range                |             | Typ. 122.5±2 MHz | 122.5±2 MHz     |
| Insertion Loss               |             | Typ. 2.5 dB      | 1.60 dB         |
| -3 dB Bandwidth              |             | Typ. 9 MHz       | 10.8 MHz        |
| Sensitivity<br>(Attenuation) | Fo - 30 MHz | Typ. 27 dB       | 30 dB           |
|                              | Fo + 30 MHz | Typ. 26 dB       | 29 dB           |
|                              | Fo - ( )MHz | Typ. dB          | dB              |
|                              | Fo +( )MHz  | Typ. dB          | dB              |
| Return Loss                  |             | Min. 12 dB       | 38.0 dB         |
| Ripple                       |             | < 1 dB           | dB              |
| Impedance                    |             | In / Out : 75 Ω  | In / Out : 75 Ω |
| (4) Torque for Tuning Screw  |             | > 100gf · cm     |                 |
| (5) Temperature Condition:   |             |                  |                 |
| Operating Temperature        |             | 30°C ~ +70°C     |                 |
| Storage Temperature          |             | -30°C ~ +80°C    |                 |
| (6) Input Power              |             | > 1 Watt         |                 |

(7) Measuring Circuit: ※ Easy to match Impedance 75Ω by parallel with about ( 0 ) pF.

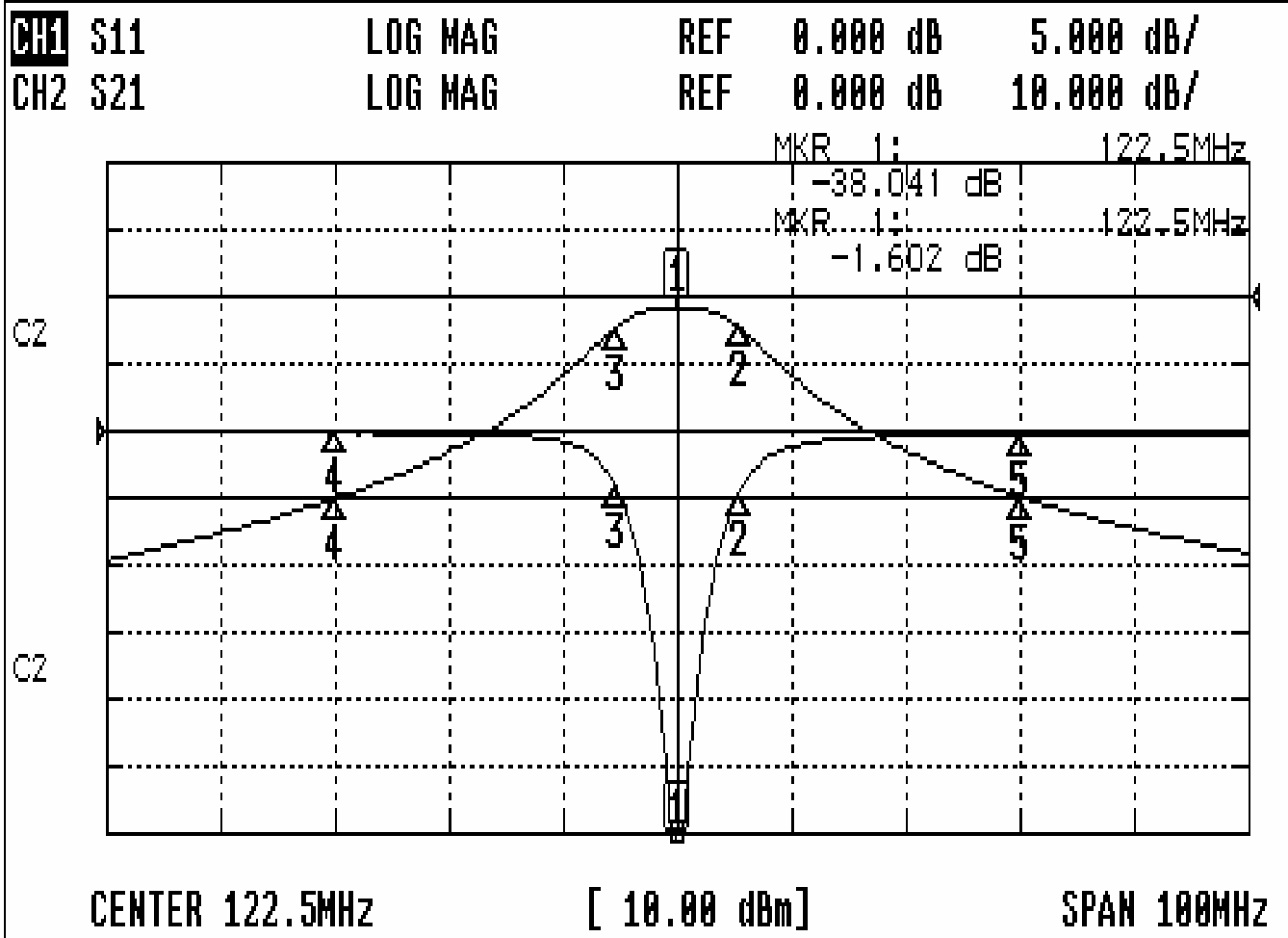


|           |            |            |                             |
|-----------|------------|------------|-----------------------------|
| Approval  | Supervisor | Designer   | Aperture size               |
| C.Y.Chang | C.S.Chang  | P.H.Chiang | 7H2(4*7.5)(7.59)<br>7H00LB4 |

TEMWELL CORPORATION

# Performance-TDL62110F-122.5M

## 0707303DC



### CH1 MARKER LIST

|   |            |            |
|---|------------|------------|
| 1 | 122.500MHz | -38.041 dB |
| 2 | 127.916MHz | -4.593 dB  |
| 3 | 117.166MHz | -4.109 dB  |
| 4 | 92.500MHz  | -0.145 dB  |
| 5 | 152.500MHz | -0.265 dB  |

### CH2 MARKER LIST

|   |            |            |
|---|------------|------------|
| 1 | 122.500MHz | -1.602 dB  |
| 2 | 127.916MHz | -4.633 dB  |
| 3 | 117.166MHz | -4.536 dB  |
| 4 | 92.500MHz  | -30.073 dB |
| 5 | 152.500MHz | -29.780 dB |