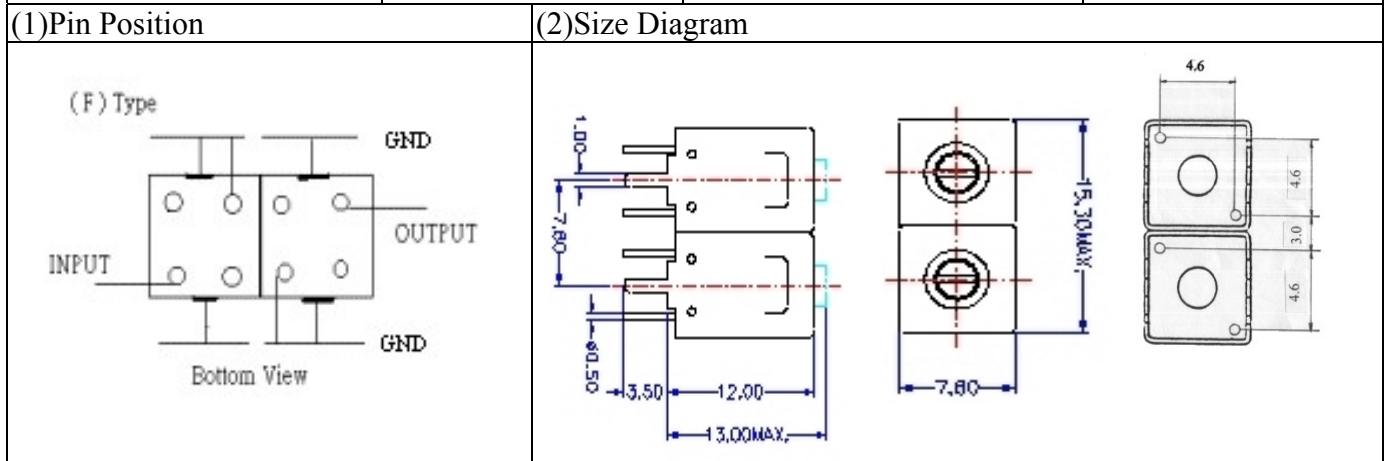


VHF UHF Helical Filter Specification Sheet

| | | | |
|----------------------|------------|-----------------------------|------------------|
| Customer Name | | Temwell's Part No. | TDL6210F-199.25M |
| Approval No. /dated | 0612050APR | Acceptable Specify Fo Range | 196~220 MHz |
| Work Instruction No. | 0612050DC | Date | Dec.26.2006 |



(3) Electric Character

| Item | Specify | Performance | |
|------------------------------|-----------------|-----------------|-------|
| Center Freq.(Fo) +/- 0.5 % | 199.25 MHz | 199.25 MHz | |
| Tunable Range | 199.25±2 MHz | 199.25±2 MHz | |
| Insertion Loss | Typ. 3.0 dB | 2.00 dB | |
| -3 dB Bandwidth | Typ. 6 MHz | 7.2 MHz | |
| Sensitivity (Attenuation) | Fo - 20 MHz | Typ. 24 dB | 27 dB |
| | Fo + 20 MHz | Typ. 25 dB | 28 dB |
| | Fo - ()MHz | Typ. dB | dB |
| | Fo +()MHz | Typ. dB | dB |
| Return Loss | Min. 12 dB | 28.9 dB | |
| Ripple | < 1 dB | dB | |
| Impedance | In / Out : 75 Ω | In / Out : 75 Ω | |

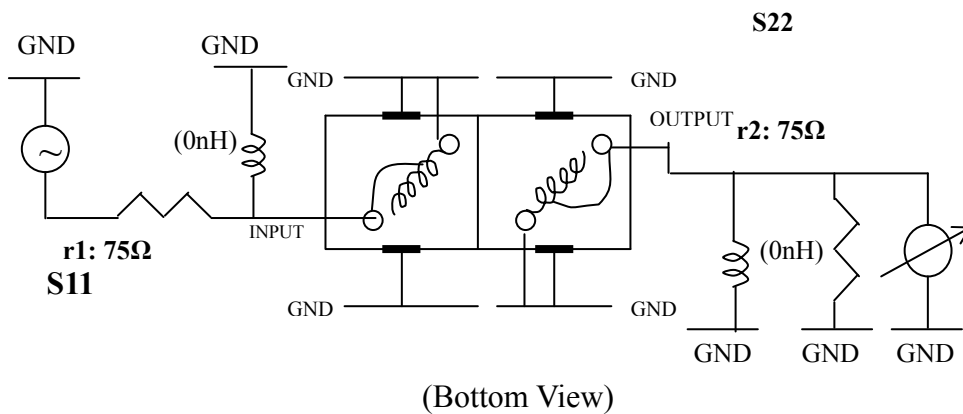
(4) Torque for Tuning Screw > 100gf · cm

(5) Temperature Condition:

| | |
|-----------------------|---------------|
| Operating Temperature | 0°C ~ +60°C |
| Storage Temperature | -20°C ~ +70°C |

(6) Input Power > 1Watt

(7) Measuring Circuit: ※Easy to match Impedance /75Ω by parallel with about (0) nH.

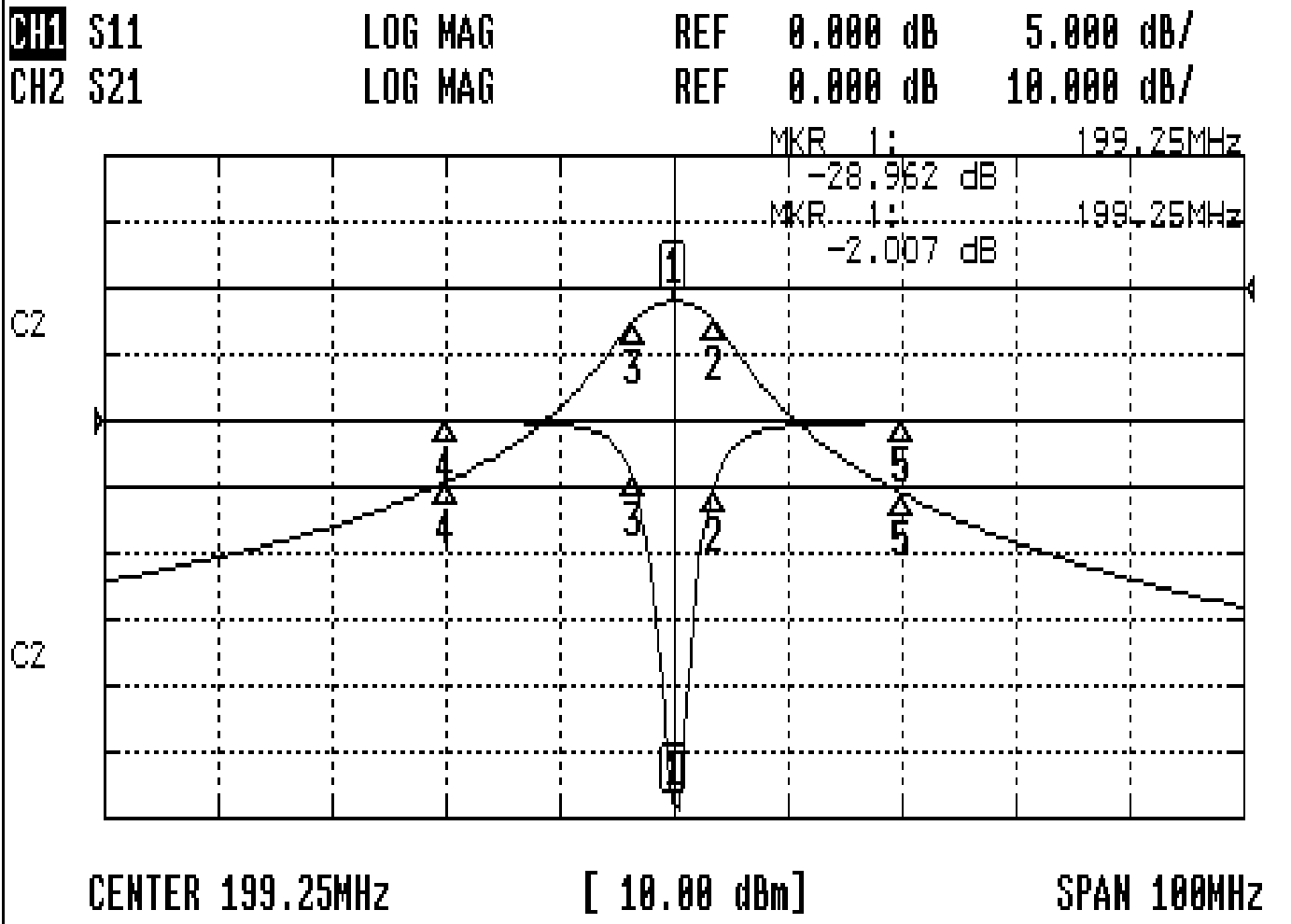


| | | | |
|-----------|------------|----------|--------------------------|
| Approval | Supervisor | Designer | Aperture size |
| C.Y.Chang | C.S.Chang | W.W.Wang | 7H2(4*5.35)F 7H024LB4 |

TEMWELL CORPORATION

Performance-TDL6210F-199.25M

0612050DC



CH1 MARKER LIST

| | | | |
|----|------------|---------|----|
| 1: | 199.250MHz | -28.962 | dB |
| 2: | 202.833MHz | -4.944 | dB |
| 3: | 195.666MHz | -4.301 | dB |
| 4: | 179.250MHz | -0.055 | dB |
| 5: | 219.250MHz | -0.110 | dB |

CH2 MARKER LIST

| | | | |
|----|------------|---------|----|
| 1: | 199.250MHz | -2.008 | dB |
| 2: | 202.833MHz | -1.063 | dB |
| 3: | 195.666MHz | -1.020 | dB |
| 4: | 179.250MHz | -29.273 | dB |
| 5: | 219.250MHz | -30.985 | dB |