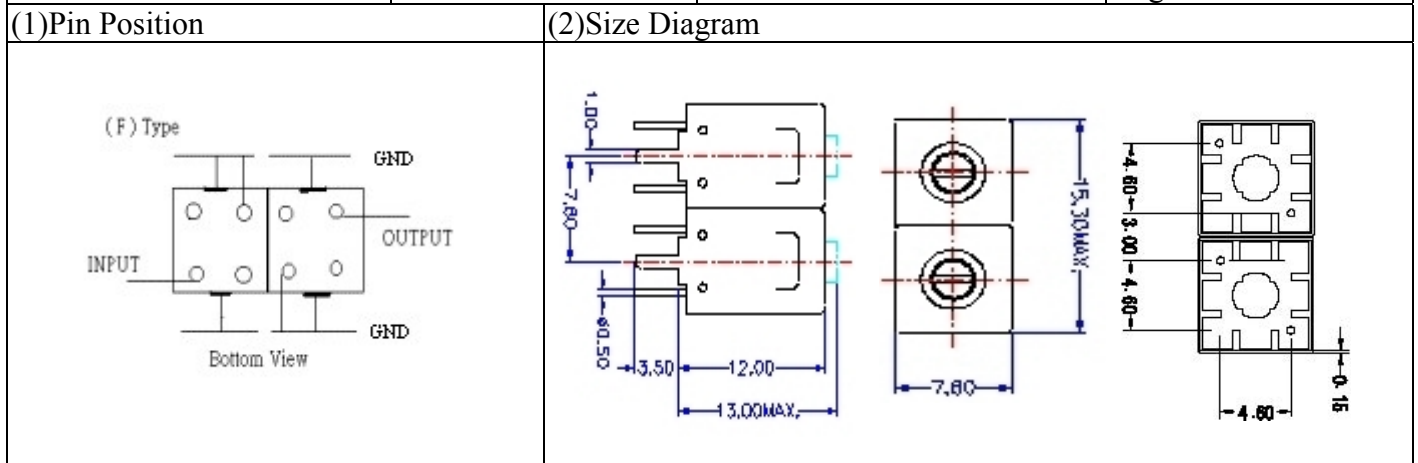


VHF UHF Helical Filter Specification Sheet

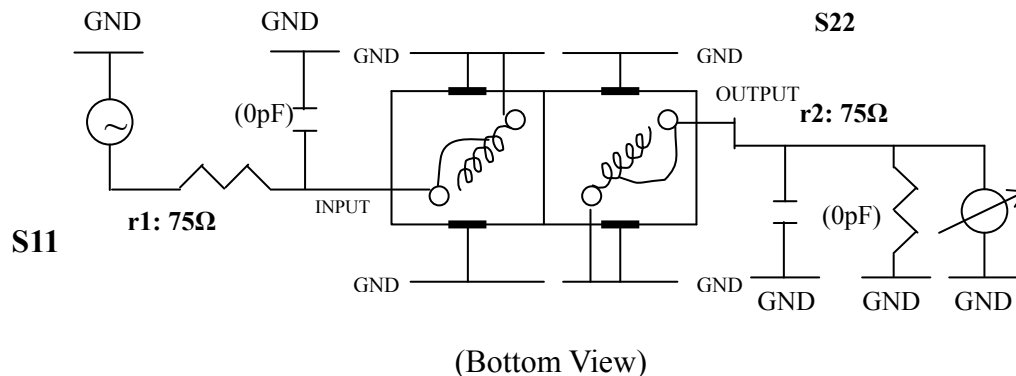
Customer Name		Temwell's Part No.	TDL62109F-115.5M
Approval No. /dated	0707302APR	Acceptable Specify Fo Range	108~125 MHz
Work Instruction No.	0707302DC	Date	Aug.03.2007



(3) Electric Charasteric

Item	Specify	Performance	
Center Freq.(Fo) +/- 0.75 %	115.5 MHz	115.5 MHz	
Tunable Range	Typ. 115.5±2 MHz	115.5±2 MHz	
Insertion Loss	Typ. 2.5 dB	1.61 dB	
-3 dB Bandwidth	Typ. 9 MHz	10.4 MHz	
Sensitivity (Attenuation)	Fo - 30 MHz	Typ. 28 dB	31 dB
	Fo + 30 MHz	Typ. 28 dB	31 dB
	Fo - ()MHz	Typ. dB	dB
	Fo +()MHz	Typ. dB	dB
Return Loss	Min. 12 dB	20.4 dB	
Ripple	< 1 dB	dB	
Impedance	In / Out : 75 Ω	In / Out : 75 Ω	
(4) Torque for Tuning Screw	> 100gf · cm		
(5) Temperature Condition:			
Operating Temperature	30°C ~ +70°C		
Storage Temperature	-30°C ~ +80°C		
(6) Input Power	> 1Watt		

(7) Measuring Circuit: ※Easy to match Impedance 75Ω by parallel with about (0) pF.

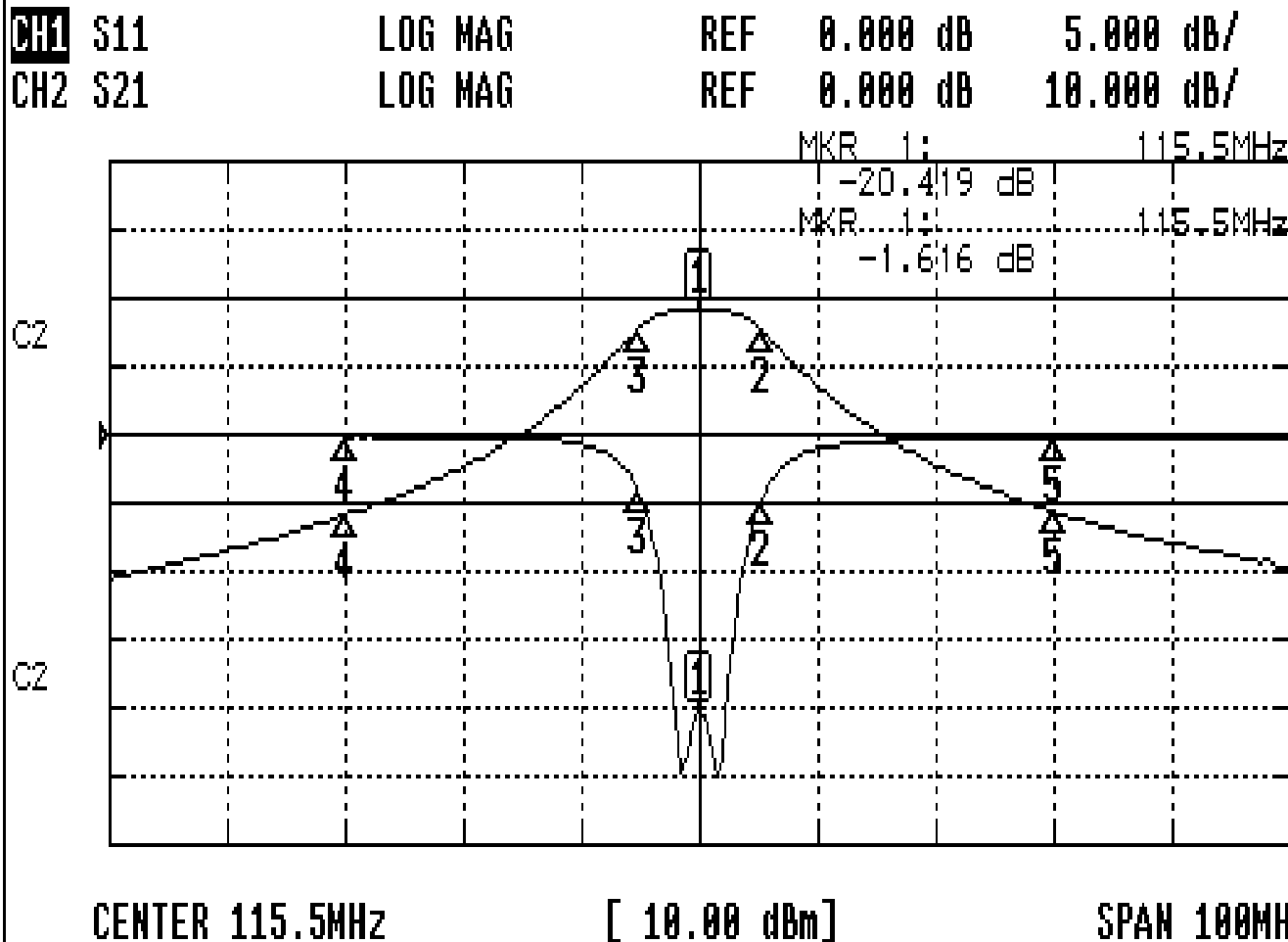


Approval	Supervisor	Designer	Aperture size
C.Y.Chang	C.S.Chang	P.H.Chiang	7H2(4*7.5)(7.58) 7H00LB4

TEMWELL CORPORATION

Performance-TDL62109F-115.5M

0707302DC



CH1 MARKER LIST

1:	115.500MHz	-20.419	dB
2:	120.750MHz	-4.832	dB
3:	110.333MHz	-4.116	dB
4:	85.500MHz	-0.147	dB
5:	145.500MHz	-0.252	dB

CH2 MARKER LIST

1:	115.500MHz	-1.616	dB
2:	120.750MHz	-4.657	dB
3:	110.333MHz	-4.655	dB
4:	85.500MHz	-31.771	dB
5:	145.500MHz	-31.231	dB