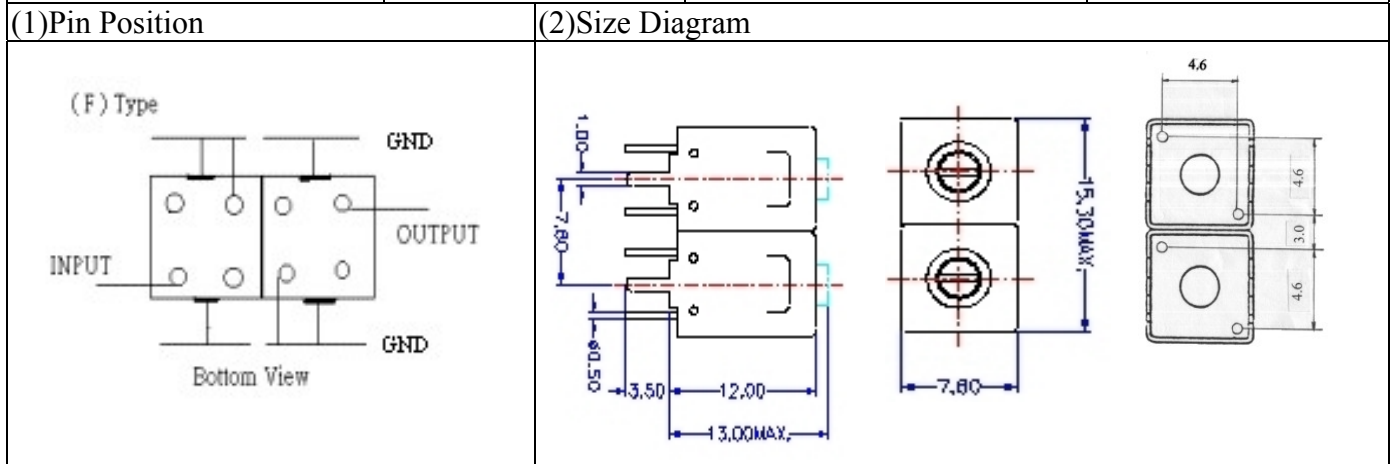


VHF UHF Helical Filter Specification Sheet

Customer Name		Temwell's Part No.	TDL6208F-187.25M
Approval No. /dated	0612048APR	Acceptable Specify Fo Range	166~195 MHz
Work Instruction No.	0612048DC	Date	Dec.26.2006



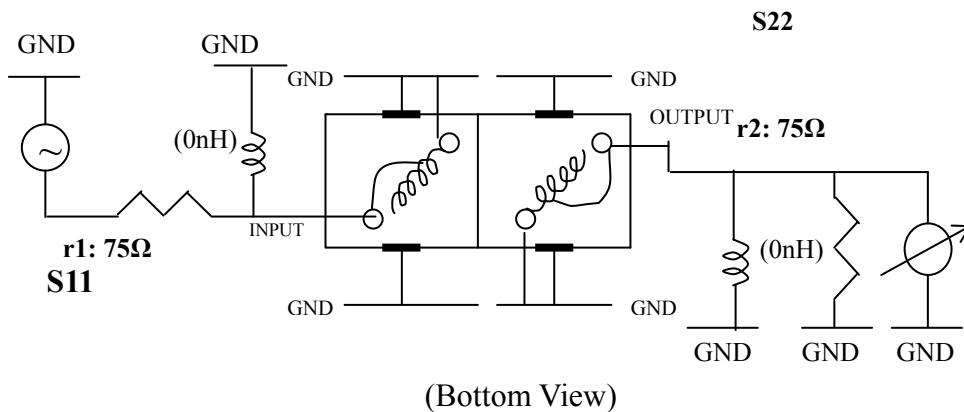
(3) Electric Characteristic		Item	Specify	Performance
Center Freq.(Fo) +/- 0.5 %			187.25 MHz	187.25 MHz
Tunable Range			187.25±2 MHz	187.25±2 MHz
Insertion Loss			Typ. 3.0 dB	1.89 dB
-3 dB Bandwidth			Typ. 6 MHz	7.4 MHz
Sensitivity (Attenuation)	Fo - 20 MHz	Typ.	26 dB	29 dB
	Fo + 20 MHz	Typ.	26 dB	29 dB
	Fo - ()MHz	Typ.	dB	dB
	Fo +()MHz	Typ.	dB	dB
Return Loss			Min. 12 dB	31.6 dB
Ripple			< 1 dB	dB
Impedance			In / Out : 75 Ω	In / Out : 75 Ω

(4) Torque for Tuning Screw > 100gf · cm

(5) Temperature Condition:
 Operating Temperature 0°C ~ +60°C
 Storage Temperature -20°C ~ +70°C

(6) Input Power > 1Watt

(7) Measuring Circuit: ※Easy to match Impedance /75Ω by parallel with about (0) nH.



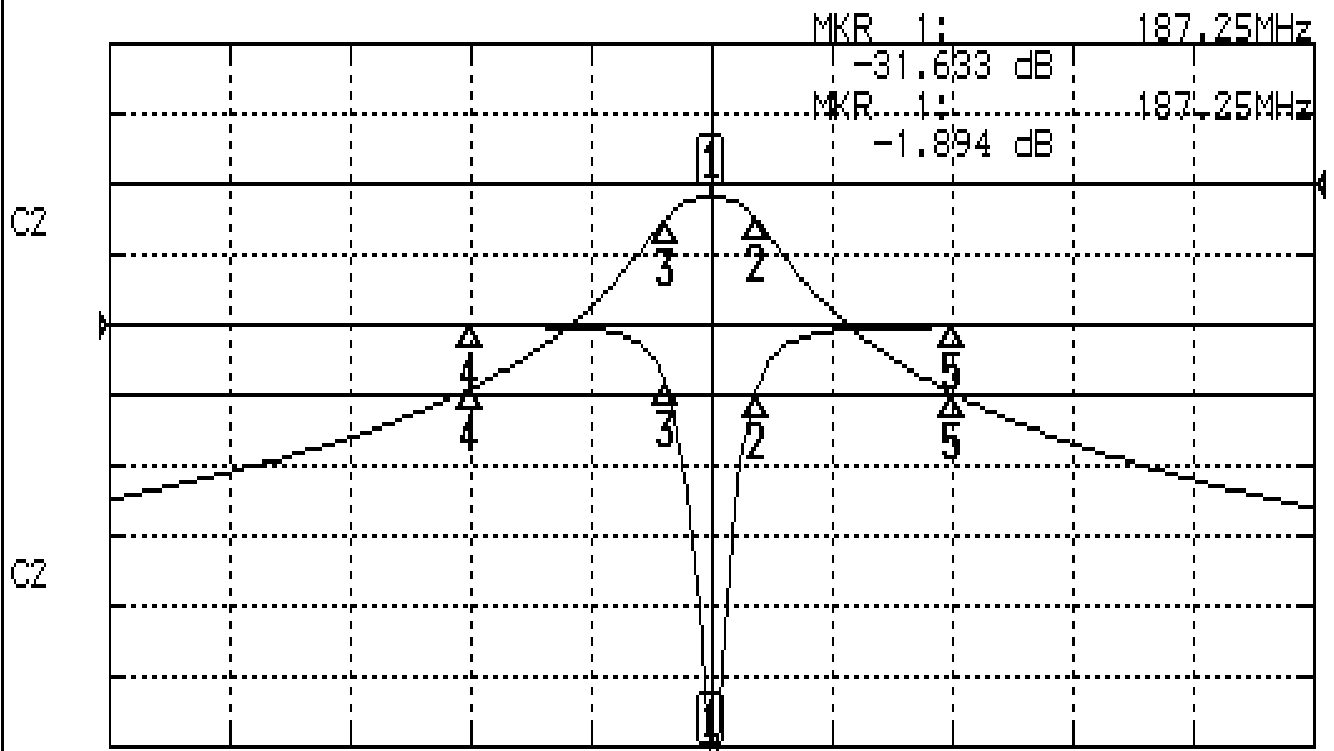
Approval	Supervisor	Designer	Aperture size
C.Y.Chang	C.S.Chang	W.W.Wang	7H2(4*5.5)F 7H024LB4

TEMWELL CORPORATION

Performance-TDL6208F-187.25M

0612048DC

CH1 S11 LOG MAG REF 0.000 dB 5.000 dB/
CH2 S21 LOG MAG REF 0.000 dB 10.000 dB/



CENTER 187.25MHz

[10.00 dBm]

SPAN 100MHz

CH1 MARKER LIST

Marker	Frequency (MHz)	Magnitude (dB)
1	187.250	-31.633
2	190.916	-4.959
3	183.500	-4.267
4	167.250	-0.066
5	207.250	-0.124

CH2 MARKER LIST

Marker	Frequency (MHz)	Magnitude (dB)
1	187.250	-1.894
2	190.916	-4.889
3	183.500	-4.932
4	167.250	-29.035
5	207.250	-29.723