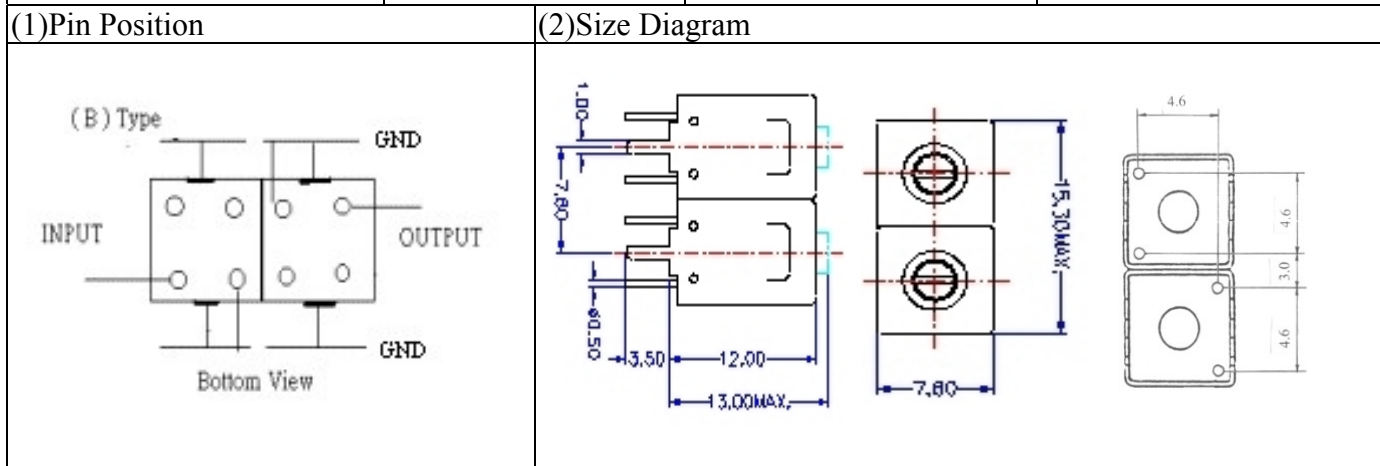


# VHF UHF Helical Filter Specification Sheet

Customer Name		Temwell's Part No.	TD6204B-77.25M
Approval No. /dated	0612044APR	Acceptable Specify Fo Range	76~85 MHZ
Work Instruction No.	0612044DC	Date	Dec.26.2006



(3) Electric Character

Item	Specify	Performance
Center Freq.(Fo) +/- 0.5 %	77.25 MHz	77.25 MHz
Tunable Range	77.25±2 MHz	77.25±2 MHz
Insertion Loss	Typ. 2.5 dB	1.88 dB
-3 dB Bandwidth	Typ. 6 MHz	6.8 MHz
Sensitivity (Attenuation)	Fo - 20 MHz	Typ. 24 dB
	Fo + 20 MHz	Typ. 28 dB
	Fo - ( )MHz	Typ. dB
	Fo +( )MHz	Typ. dB
Return Loss	Min. 12 dB	27.6 dB
Ripple	< 1 dB	dB
Impedance	In / Out : 75 Ω	In / Out : 75 Ω

(4) Torque for Tuning Screw > 100gf · cm

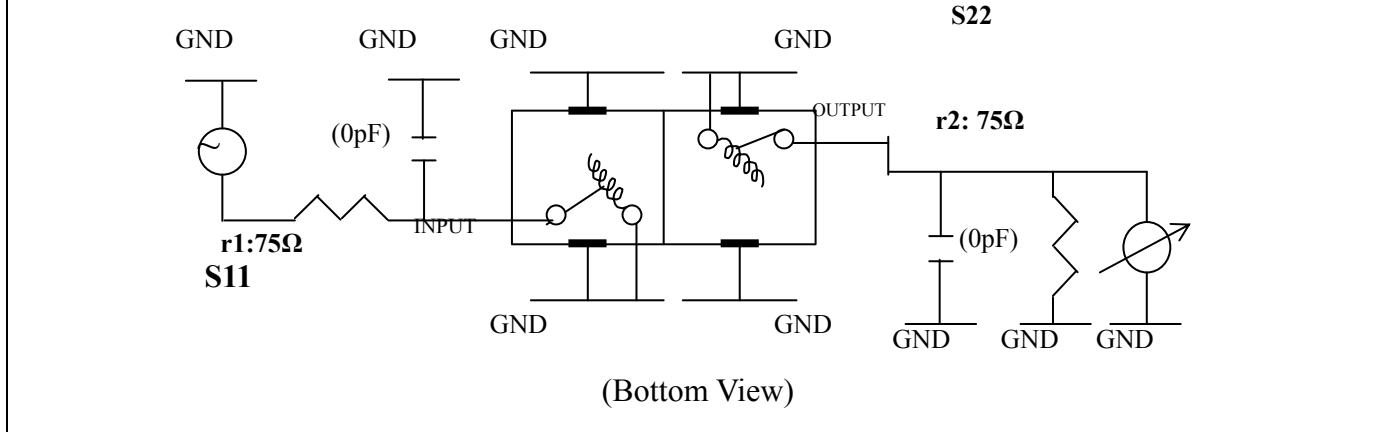
(5) Temperature Condition:

Operating Temperature	0°C ~ +60°C
-----------------------	-------------

Storage Temperature	-20°C ~ +70°C
---------------------	---------------

(6) Input Power > 1Watt

(7) Measuring Circuit: ※Easy to match Impedance 75Ωby parallel with about ( 0 ) pF.



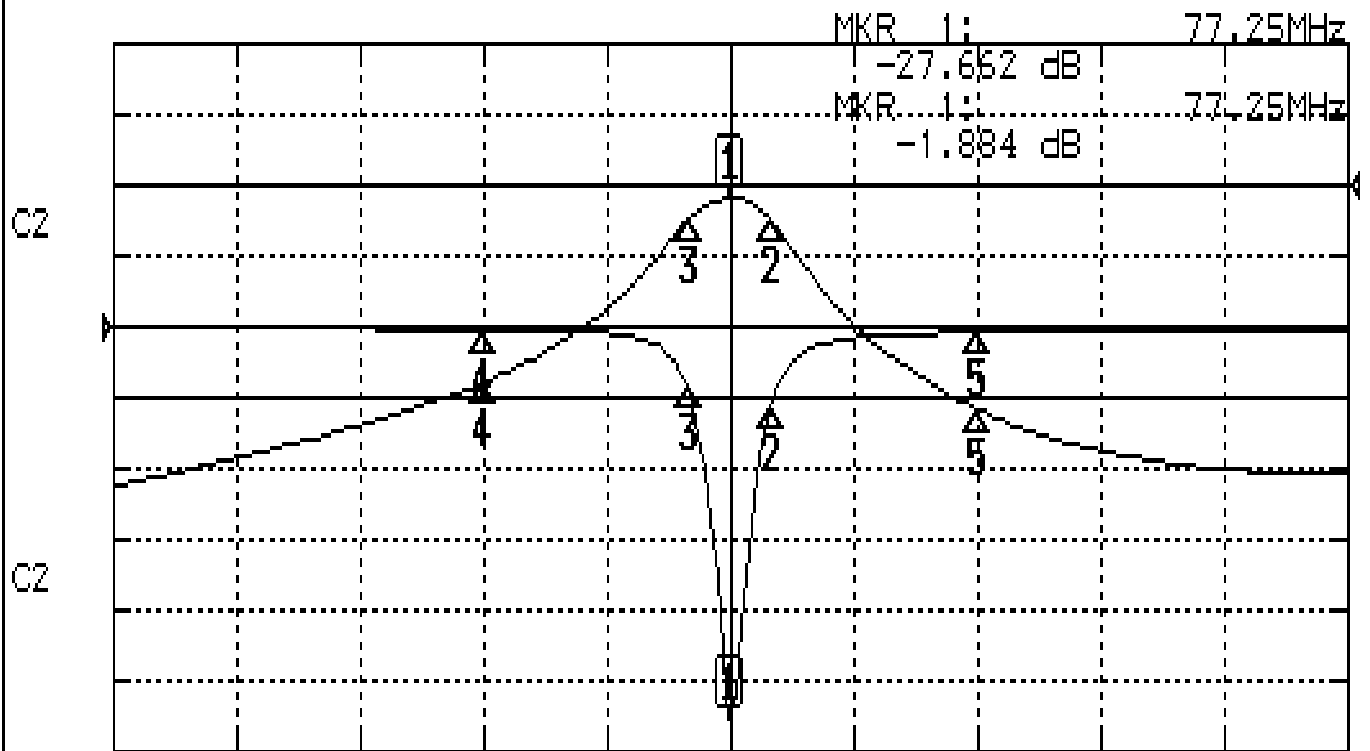
Approval	Supervisor	Designer	Aperture size
C.Y.Chang	C.S.Chang	W.W.Wang	7H2( 4*8.0)F 7H00LB4

TEMWELL CORPORATION

# Performance-TDL6204B-77.25M

## 0612044DC

CH1 S11 LOG MAG REF 0.000 dB 5.000 dB/  
CH2 S21 LOG MAG REF 0.000 dB 10.000 dB/



CENTER 77.25MHz

[ 10.00 dBm ]

SPAN 100MHz

### CH1 MARKER LIST

1	77.250MHz	-27.662 dB
2	80.583MHz	-5.686 dB
3	73.750MHz	-4.257 dB
4	57.250MHz	-0.180 dB
5	97.250MHz	-0.390 dB

### CH2 MARKER LIST

1	77.250MHz	-1.880 dB
2	80.583MHz	-4.892 dB
3	73.750MHz	-4.967 dB
4	57.250MHz	-27.845 dB
5	97.250MHz	-31.635 dB