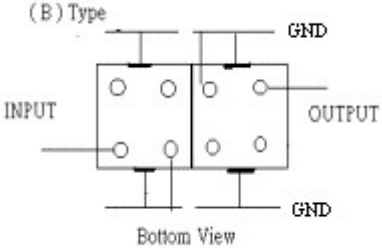
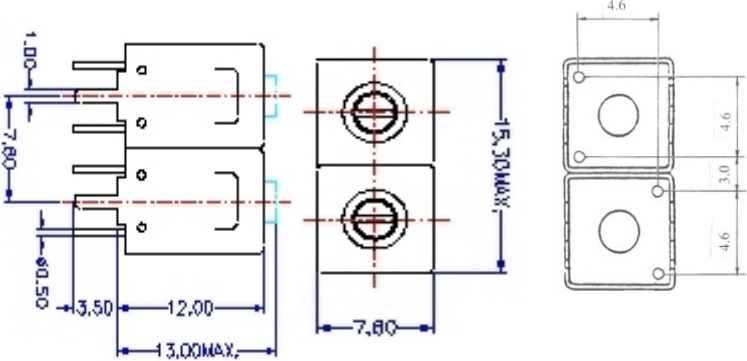


# VHF UHF Helical Filter Specification Sheet

Customer Name		Temwell's Part No.	TD6873B-77.25M
Approval No. /dated		Acceptable Specify Range	76~85MHz
Work Instruction No.	20303073C	Date	

(1)Pin Position	(2)Size Diagram
 <p>(B) Type INPUT      OUTPUT GND      GND Bottom View</p>	 <p>Dimensions: 1.00, 7.80, 0.50, 3.50, 12.00, 13.00MAX, 7.80, 15.30MAX, 4.6, 4.6, 3.0, 4.6</p>

### (3)Electric Charasteric

Item	Specify	Performance	
Center Freq.(Fo) +/- 0.5 %	77.25 MHz	77.25 MHz	
Tunable Range	77.25±2 MHz	77.25±2 MHz	
Insertion Loss	Typ. 3.5 dB	2.32 dB	
-3 dB Bandwidth	Typ. 4 MHz	5 MHz	
Sensitivity (Attenuation)	Fo - 8 MHz	Typ. 15 dBc	17 dBc
	Fo + 8 MHz	Typ. 19 dBc	21 dBc
	Fo - ( )MHz	Typ. dBc	dBc
	Fo +( )MHz	Typ. dBc	dBc
Return Loss	Min. 12 dB	22.5 dB	
Ripple	< 1 dB	dB	
Impedance	In / Out : 50 Ω	In / Out : 50 Ω	
(4)Torque for Tuning Screw	> 100gf • cm		

### (5)Temperature Condition:

Operating Temperature	0°C ~ +60°C
Storage Temperature	-20°C ~ +70°C

### (6)Input Power

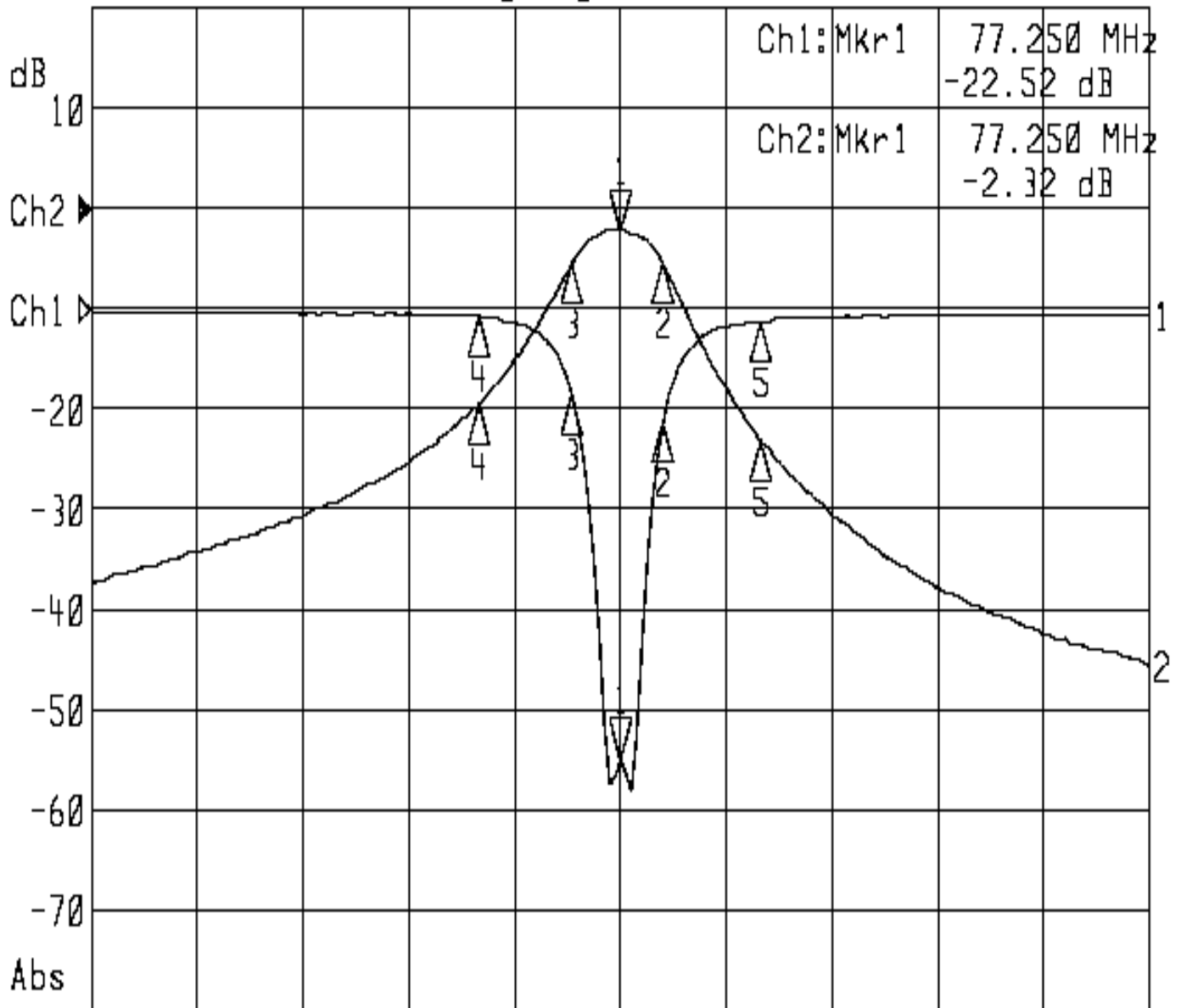
		> 1Watt	
Approval	Supervisor	Designer	Aperture size
C.Y.Chang	C.S.Chang	C.S.Chang	7H2S(4*6.5)F 7H00LB4

TEMWELL CORPORATION

# Performance- TD6873B-77.25M

20303073C

▶1: Reflection      Log Mag    5.0 dB/    Ref    0.00 dB    C?  
 ▶2: Transmission    Log Mag    10.0 dB/    Ref    0.00 dB    C?



Center 77.250 MHz

Span 60.000 MHz

1: Mkr (MHz)	dB	2: Mkr (MHz)	dB
1> 77.25	-22.53	1> 77.25	-2.32
2: 79.66	-5.66	2: 79.66	-5.36
3: 74.50	-4.20	3: 74.50	-5.34
4: 69.25	-0.39	4: 69.25	-19.36
5: 85.25	-0.56	5: 85.25	-23.12