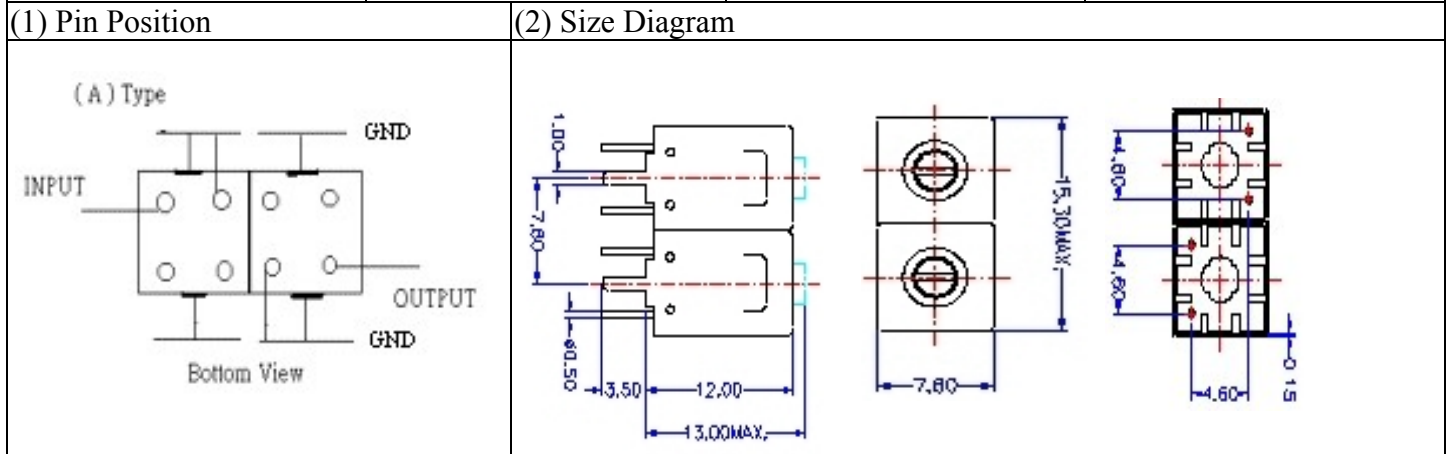


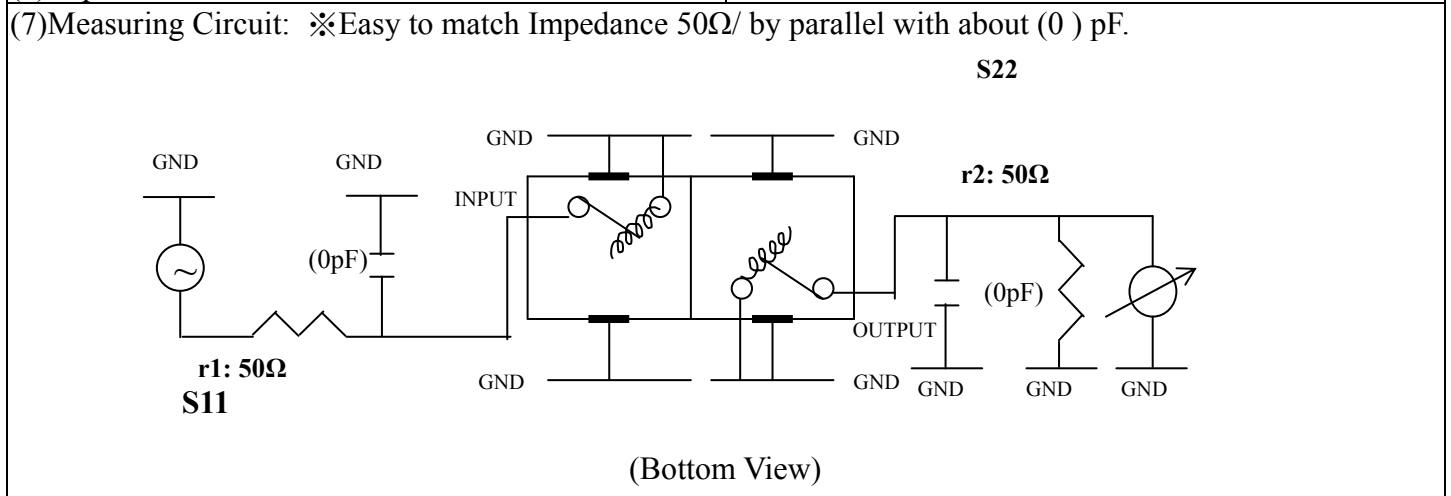
VHF UHF Helical Filter Specification Sheet

Customer Name		Temwell's Part No.	TD6865A-680M
Approval No. /dated	0603006APR	Temwell's Print Name	6865A 680M
Work Instruction No.	0603006B	Date	Mar.03.2006



Item		Specify		Performance	
Center Freq. (Fo) +/- 0.5 %		680	MHz	680	MHz
Tunable Range		680±5	MHz	680±5	MHz
Insertion Loss		Typ. 4.5	dB	3.79	dB
-3 dB Bandwidth		Typ. 5.0	MHz	9.4	MHz
Sensitivity (Attenuation)	Fo - 20 MHz	Typ. 20	dBc	23	dBc
	Fo + 20 MHz	Typ. 18	dBc	20	dBc
	Fo - () MHz	Typ.	dBc		dBc
	Fo + () MHz	Typ.	dBc		dBc
Return Loss		Min. 12	dB	27.7	dB
Ripple		< 1	dB		dB
Impedance		In / Out : 50 Ω		In / Out : 50 Ω	

(4) Torque for Tuning Screw	> 100gf · cm
(5) Temperature Condition:	
Operating Temperature	0°C ~ +60°C
Storage Temperature	-20°C ~ +70°C
(6) Input Power	> 1Watt



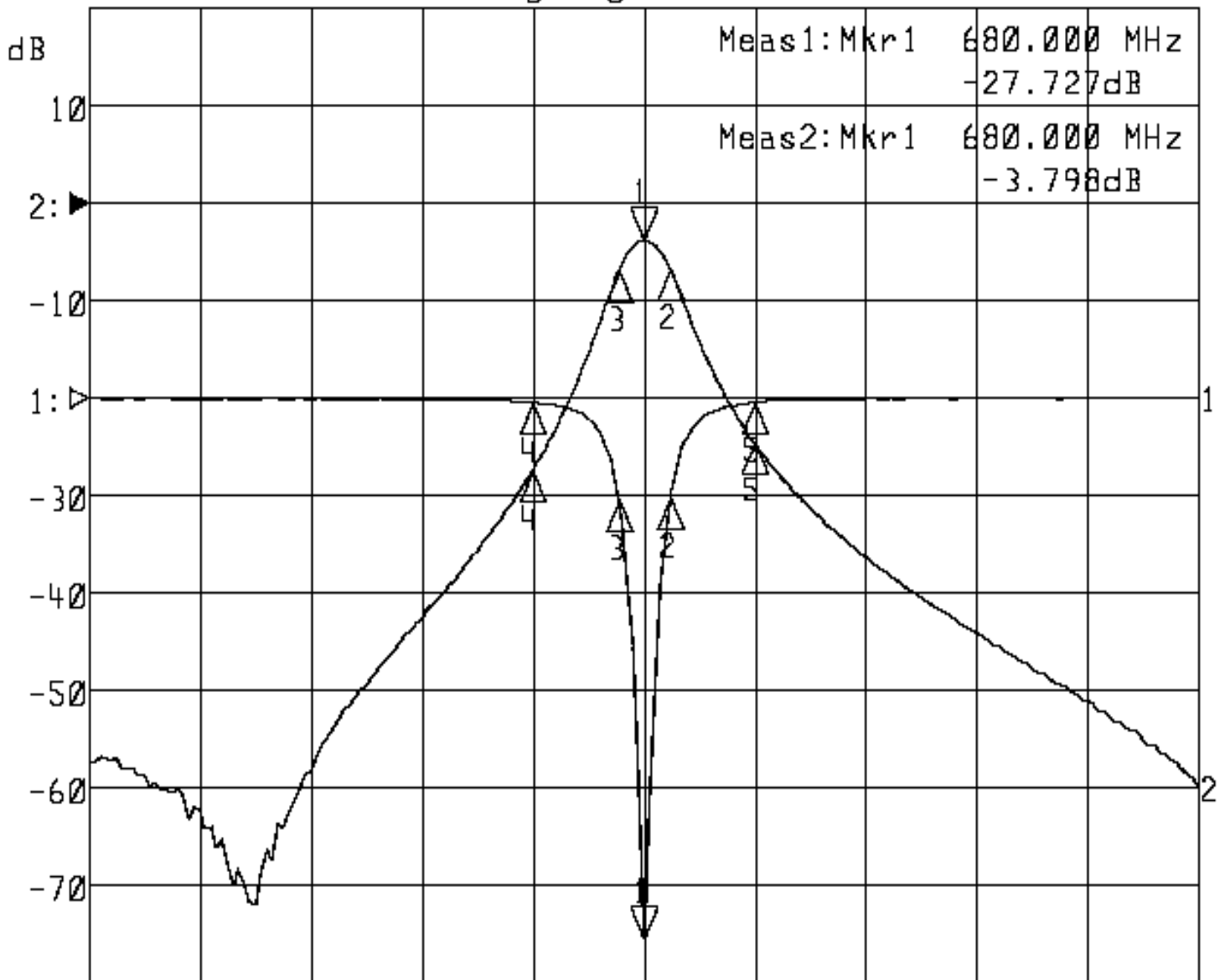
Approval	Supervisor	Designer	Aperture size
C.Y. Chang	C.S. Chang	W.W. Wang	7H2(4*4.65) F 7H046LB4 聚 3

TEMWELL CORPORATION

Performance-TD6865A-680M

0603006B

▶1:S11 Refl Port1 Log Mag 5.0 dB/ Ref 0.00 dB C
▶2:S21 Fwd Trans Log Mag 10.0 dB/ Ref 0.00 dB C



Center 680.000 MHz

Span 200.000 MHz

1: Mkr (MHz)	dB	2: Mkr (MHz)	dB
1> 680.0000	-27.727	1> 680.0000	-3.798
2: 684.8000	-5.111	2: 684.8000	-6.801
3: 675.4667	-5.257	3: 675.4667	-6.877
4: 660.0000	-0.253	4: 660.0000	-27.392
5: 700.0000	-0.225	5: 700.0000	-24.602