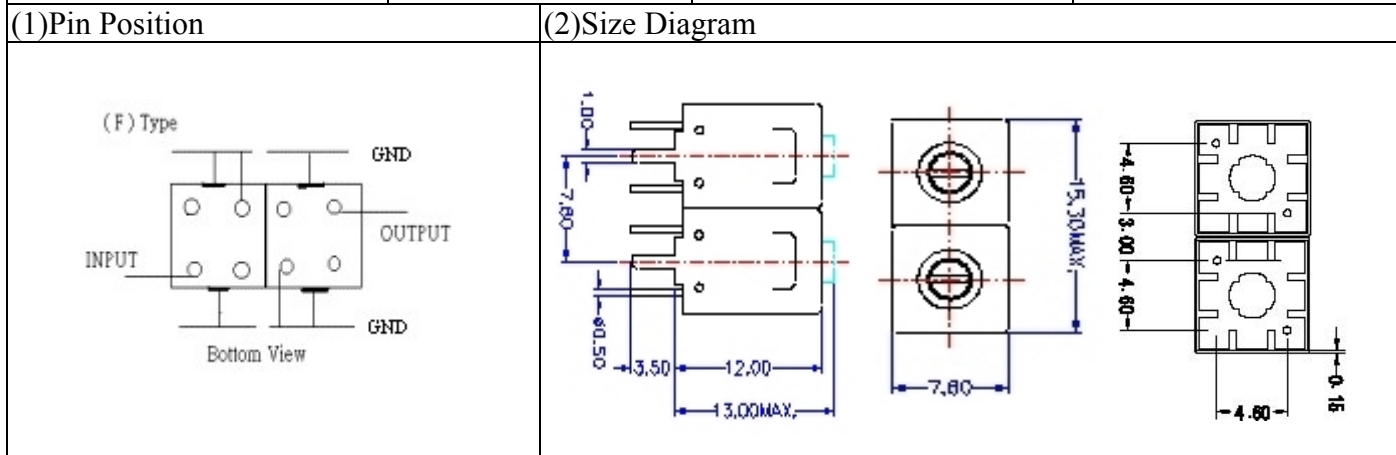


VHF UHF Helical Filter Specification Sheet

Customer Name		Temwell's Part No.	TD6830F-204.7M
Approval No. /dated	0901008CD	Customer's Part No.	6830F 204.7M
Work Instruction No.	200901008CD	Date	Jan.09.2008



(3) Electric Characteristic

Item	Specify	Performance	
Center Freq.(Fo) +/- 0.5 %	204.7 MHz	204.7 MHz	
Tunable Range:	204.7±4 MHz	204.7±4 MHz	
Insertion Loss	Typ. 3.0 dB	1.92 dB	
-3 dB Bandwidth	Typ. 7 MHz	8.5 MHz	
Sensitivity (Attenuation)	Fo - 50 MHz	Typ. 37 dBc	40 dBc
	Fo + 50 MHz	Typ. 28 dBc	31 dBc
	Fo - ()MHz	Typ. dBc	dBc
	Fo +()MHz	Typ. dBc	dBc
Return Loss	Min. 12 dB	22.5 dB	
Ripple	< 1 dB	dB	
Impedance	In / Out : 50 Ω	In / Out : 50 Ω	

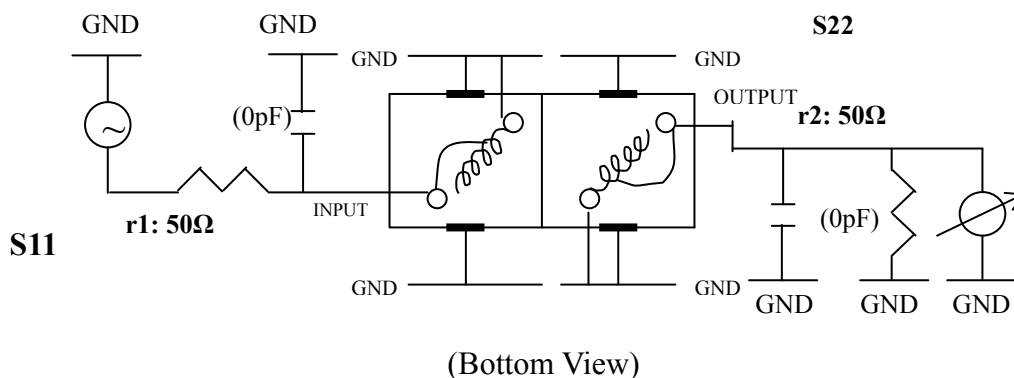
(4) Torque for Tuning Screw > 100gf · cm

(5) Temperature Condition:

Operating Temperature	0°C ~ +60°C
Storage Temperature	-20°C ~ +70°C

(6) Input Power > 1 Watt

(7) Measuring Circuit: ※Easy to match Impedance 50Ω by parallel with about (0) pF.



Approval	Supervisor	Designer	Aperture size
C.Y.Chang	C.S.Chang	C.S.Chang	7H2S(4*5.5)(5.58) (7H024LB4)

TEMWELL CORPORATION

Performance-TD6830F-204.7M

200901008CD

