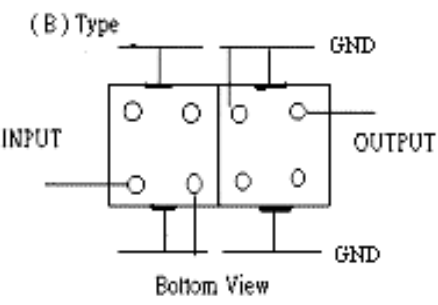
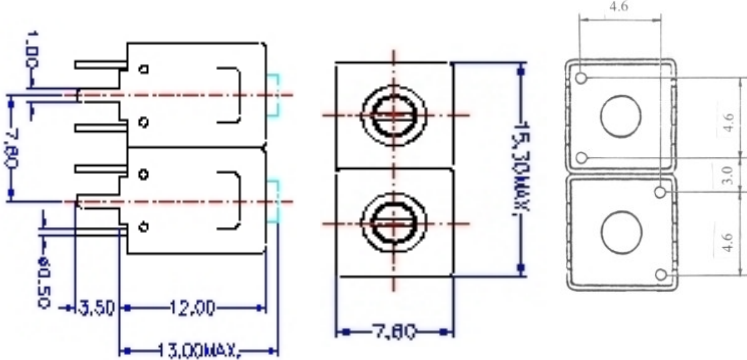


VHF UHF Helical Filter Specification Sheet

Customer Name		Temwell's Part No.	TD6830B-207.5M
Approval No. /dated	20107039B	Acceptable Specify Fo. Range	196~220MHz
Work Instruction No.	20107039B	Date	July.19.2001

(1)Pin Position	(2)Size Diagram
 <p style="text-align: center;">Bottom View</p>	

(3)Electric Character

Item	Specify	Performance
Center Freq.(Fo) +/- 0.75 %	207.5 MHz	207.5 MHz
Tunable Range	207.5±4 MHz	207.5±4 MHz
Insertion Loss	Typ. 4.5 dB	3.32 dB
-3 dB Bandwidth	Typ. 3 MHz	5 MHz
Sensitivity (Attenuation)	Fo - 10 MHz	Typ. 15 dBc
	Fo + 10 MHz	Typ. 20 dBc
	Fo - ()MHz	Typ. dBc
	Fo +()MHz	Typ. dBc
Return Loss	Min. 12 dB	41.1 dB
Ripple	< 1 dB	1 dB
Impedance	In / Out : 50 Ω	In / Out : 50 Ω
(4)Torque for Tuning Screw	> 100gf • cm	

(5)Temperature Condition:

Operating Temperature	-30°C ~ +70°C
Storage Temperature	-30°C ~ +80°C
(6)Input Power	> 1Watt

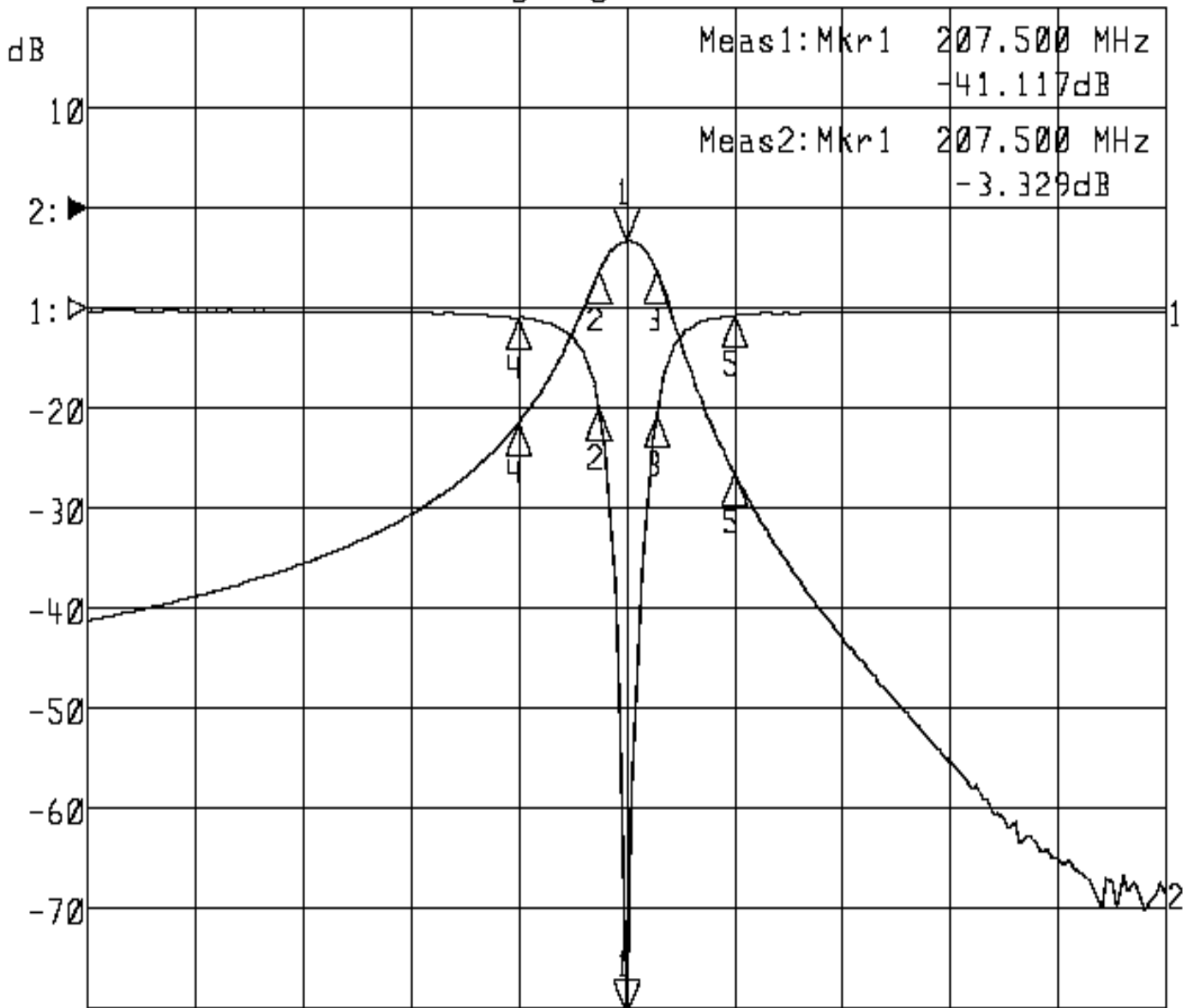
Approval	Supervisor	Designer	Aperture size
C.Y.Chang	C.S.Chang	C.S.Chang	7H2S,4*4.65 7H024LB4

TEMWELL CORPORATION

Performance-TD6830B-207.5M

20107039B

▶1:S11 Refl Port1 Log Mag 5.0 dB/ Ref 0.00 dB C
▶2:S21 Fwd Trans Log Mag 10.0 dB/ Ref 0.00 dB C



Center 207.500 MHz

Span 100.000 MHz

1:Mkr (MHz)	dB	2:Mkr (MHz)	dB
1> 207.5000	-41.117	1> 207.5000	-3.329
2: 204.9667	-4.938	2: 204.9667	-6.350
3: 210.3000	-5.421	3: 210.3000	-6.318
4: 197.5000	-0.459	4: 197.5000	-21.452
5: 217.5000	-0.382	5: 217.5000	-26.465