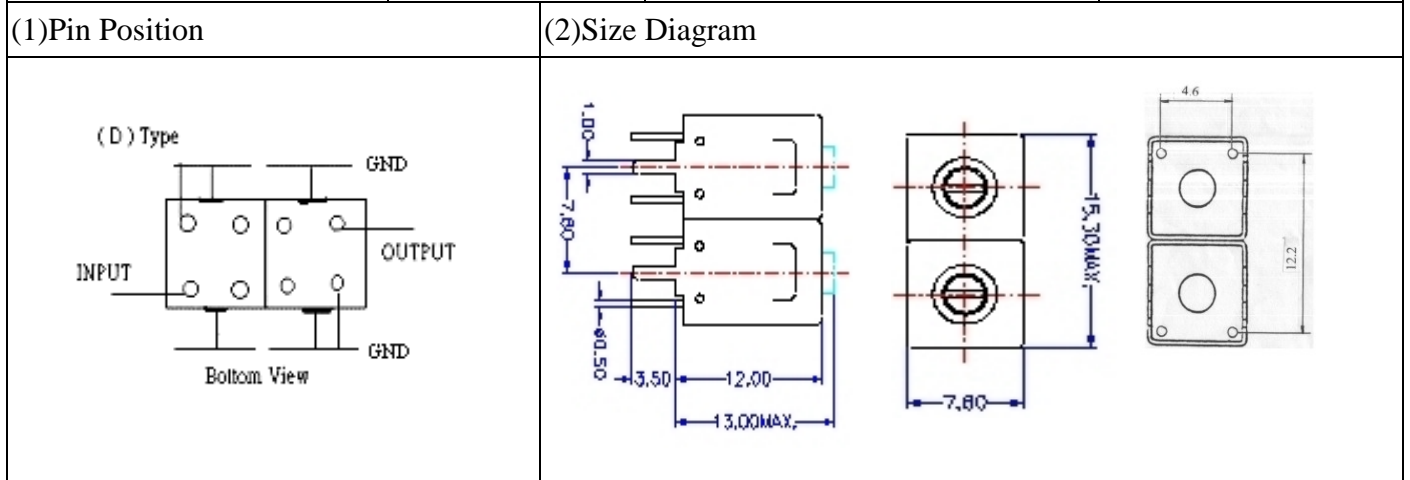


VHF UHF Helical Filter Specification Sheet

Customer Name		Temwell's Part No.	TD6794D-530M
Approval No. /dated	2007069B	Acceptable Specify Fo. Range	516~555M
Work Instruction No.	2007069B	Date	Aug.02.2000



(3) Electric Characteristic

Item	Specify	Performance
Center Freq.(Fo) +/- 0.5 %	530 MHz	530 MHz
Tunable Range	530±5 MHz	530±5 MHz
Insertion Loss	Typ. 2.5 dB	1.52 dB
-3 dB Bandwidth	Typ. 15 MHz	16.9 MHz
Sensitivity (Attenuation)	Fo - 50 MHz	Typ. 27 dBc
	Fo + 50 MHz	Typ. 23 dBc
	Fo - ()MHz	Typ. dBc
	Fo +()MHz	Typ. dBc
Return Loss	Min. 12 dB	20.6 dB
Ripple	< 1 dB	dB
Impedance	In / Out : 50 Ω	In / Out : 50 Ω
(4) Torque for Tuning Screw	> 100gf · cm	

(5) Temperature Condition:

Operating Temperature	0°C ~ +60°C
Storage Temperature	-20°C ~ +70°C
(6) Input Power	> 1 Watt

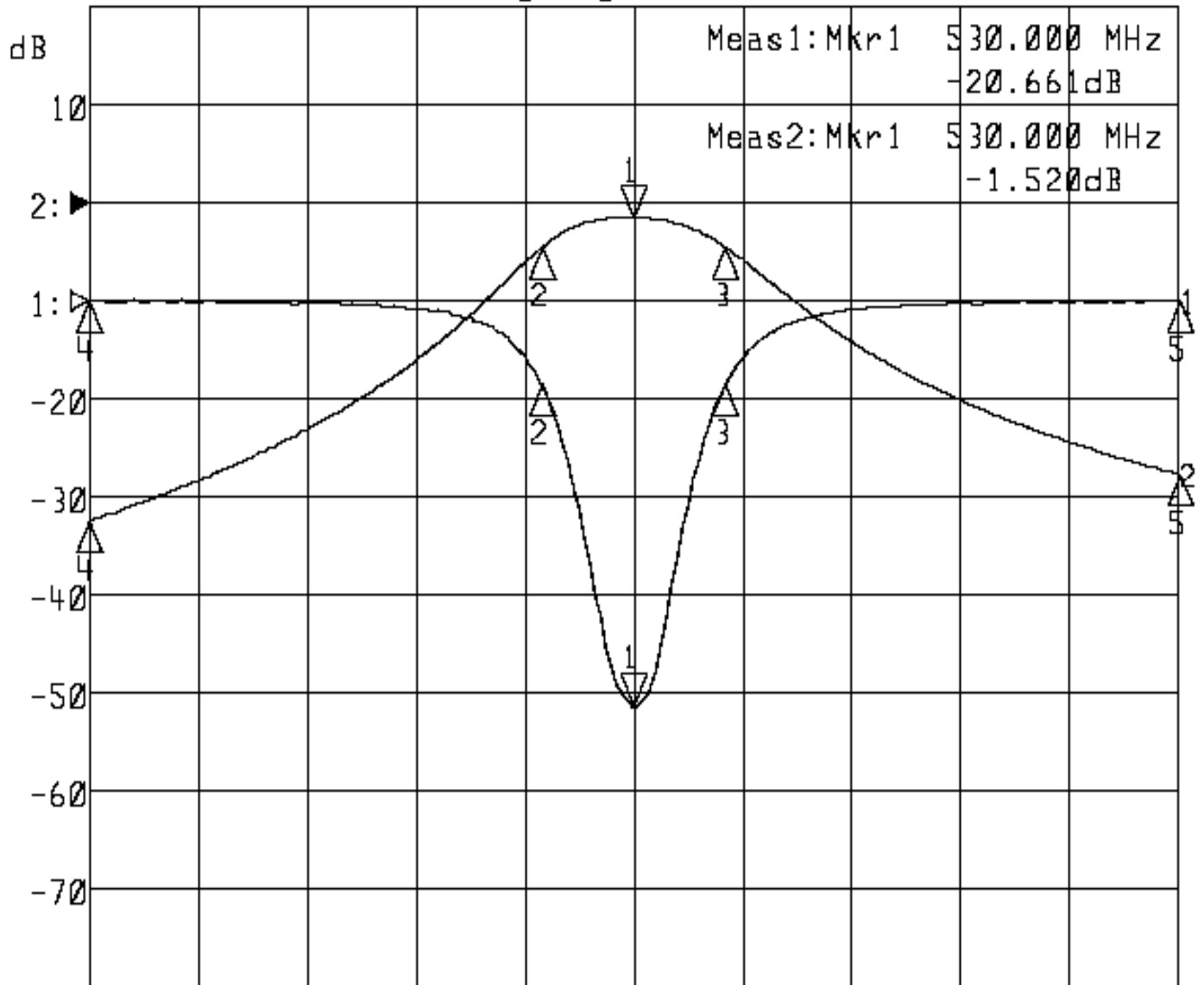
Approval	Supervisor	Designer	Aperture size
C.Y. Chang	C.S. Chang	Z. M. Weng	7H2S (4×4.65) 7H046LB4 聚 3

TEMWELL CORPORATION

Performance-TD6794D-530M

2007069B

▶1: S11 Refl Port1 Log Mag 5.0 dB/ Ref 0.00 dB C
 ▶2: S21 Fwd Trans Log Mag 10.0 dB/ Ref 0.00 dB C



Center 530.000 MHz

Span 100.000 MHz

1: Mkr (MHz)	dB	2: Mkr (MHz)	dB
1> 530.0000	-20.661	1> 530.0000	-1.520
2: 521.5333	-4.268	2: 521.5333	-4.549
3: 538.4333	-4.298	3: 538.4333	-4.503
4: 480.0000	-0.035	4: 480.0000	-32.426
5: 580.0000	0.010	5: 580.0000	-27.625