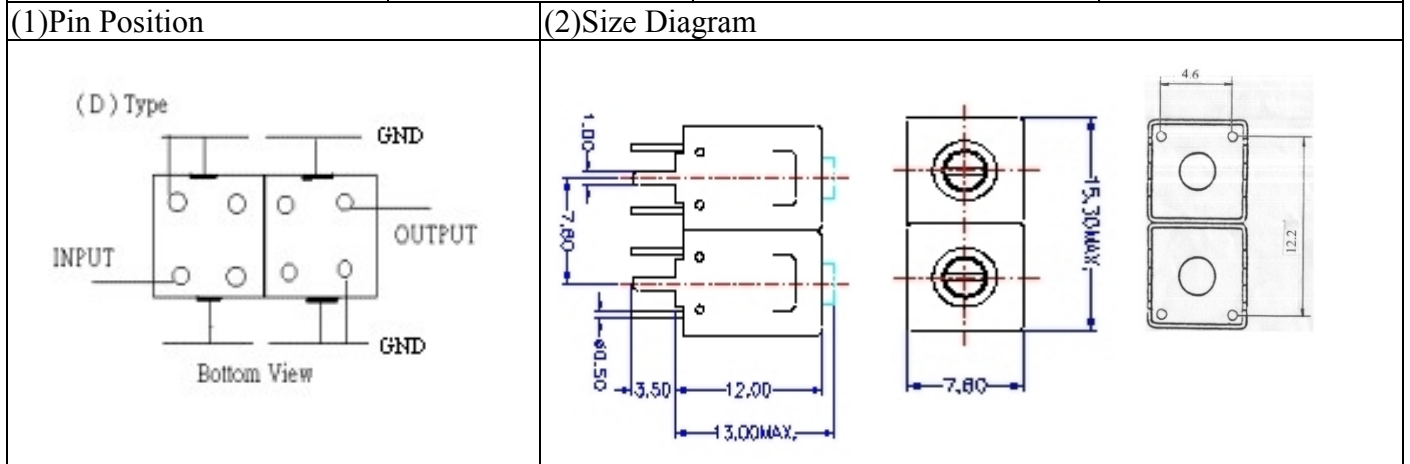


VHF UHF Helical Filter Specification Sheet

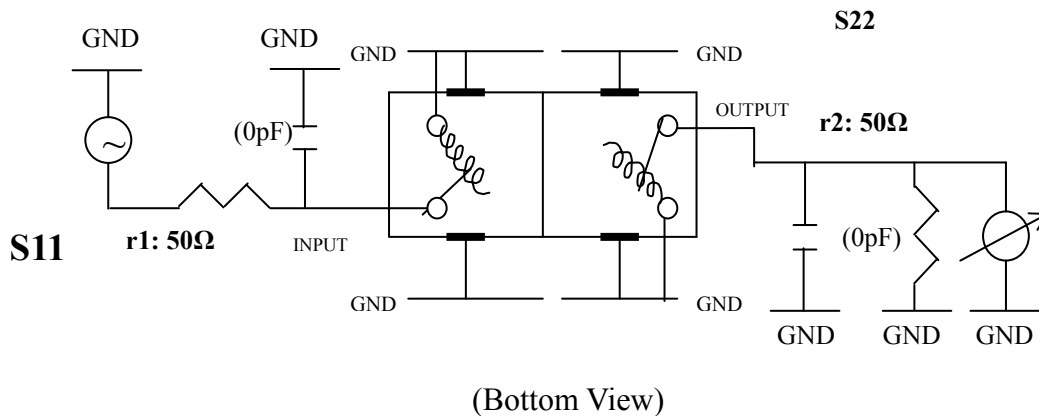
Customer Name		Temwell's Part No.	TD6791D1-425M
Approval No. /dated	0612033APR	Acceptable Specify Fo Range	401~455 MHz
Work Instruction No.	0612033DB	Date	Dec.19.2006



(3) Electric Characteristic		Item	Specify	Performance
Center Freq.(Fo) +/- 0.5 %			425 MHz	425 MHz
Tunable Range			425±5 MHz	425±5 MHz
Insertion Loss			Typ. 3.0 dB	2.08 dB
-3 dB Bandwidth			Typ. 10 MHz	11.9 MHz
Sensitivity (Attenuation)	Fo - 50 MHz	Typ. 37 dBc		40 dBc
	Fo + 50 MHz	Typ. 25 dBc		28 dBc
	Fo - ()MHz	Typ. dBc		dBc
	Fo +()MHz	Typ. dBc		dBc
Return Loss			Min. 12 dB	23.2 dB
Ripple			< 1 dB	dB
Impedance			In / Out : 50 Ω	In / Out : 50 Ω

(4) Torque for Tuning Screw		> 100gf · cm
(5) Temperature Condition:		
Operating Temperature	0°C ~ +60°C	
Storage Temperature	-20°C ~ +70°C	
(6) Input Power	> 1 Watt	

(7) Measuring Circuit: ※Easy to match Impedance 50Ω/50Ω by parallel with about (0) pF.

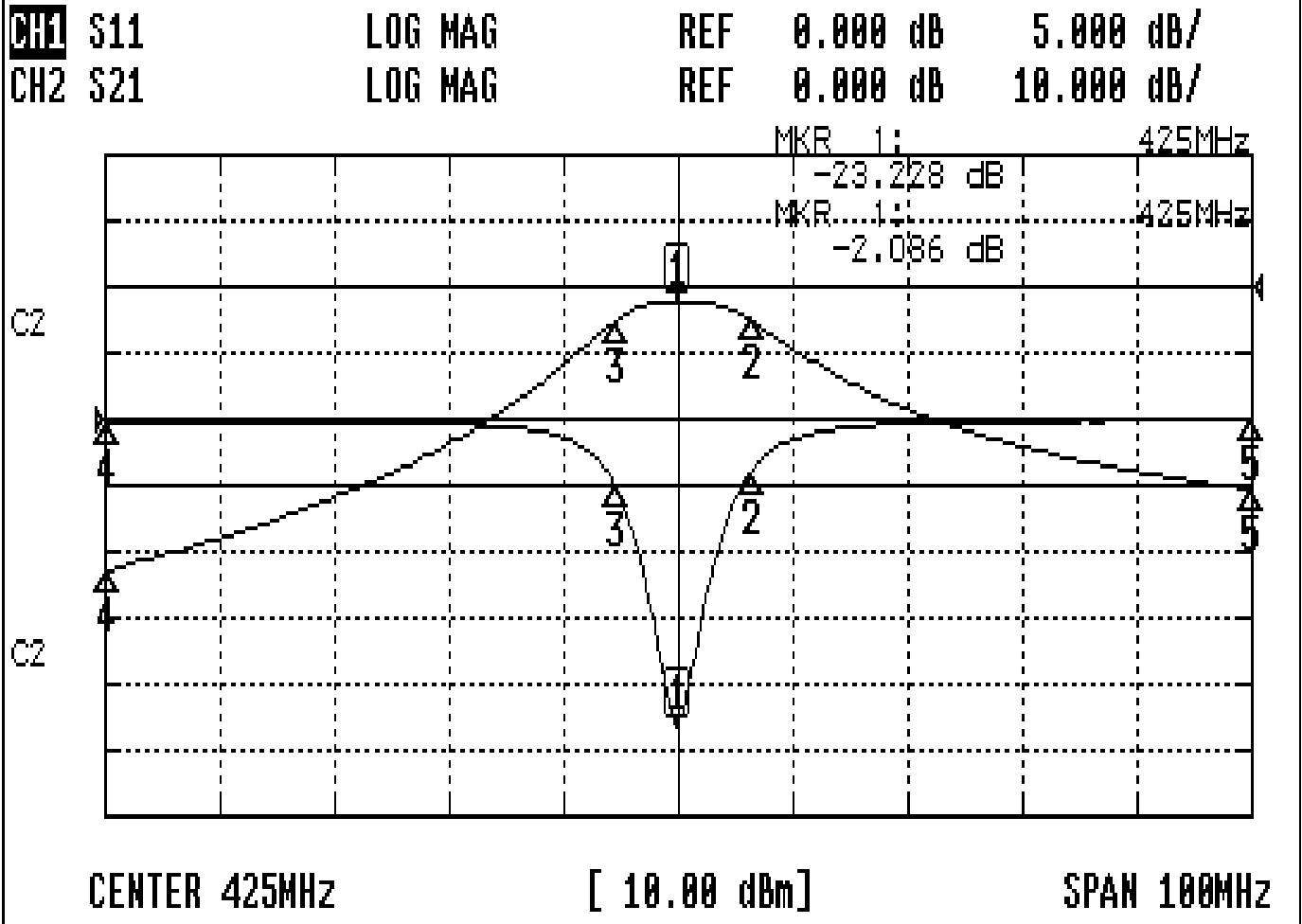


Approval	Supervisor	Designer	Aperture size
C.Y.Chang	C.S.Chang	P.H.Chiang	7H2(4*5.5) 7H046LB4 聚 3

TEMWELL CORPORATION

Performance-TD6791D1-425M

0612033DB



CH1 MARKER LIST

1:	425.000MHz	-2.086 dB
2:	431.416MHz	-3.968 dB
3:	419.583MHz	-5.134 dB
4:	375.000MHz	-0.148 dB
5:	475.000MHz	-0.124 dB

CH2 MARKER LIST

1:	425.000MHz	-23.228 dB
2:	431.416MHz	-15.010 dB
3:	419.583MHz	-16.062 dB
4:	375.000MHz	-42.848 dB
5:	475.000MHz	-30.613 dB