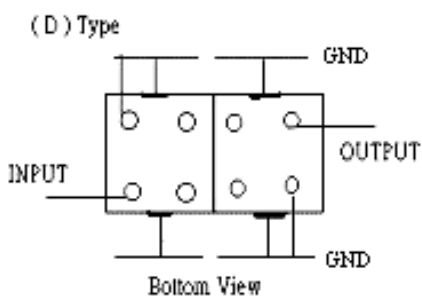
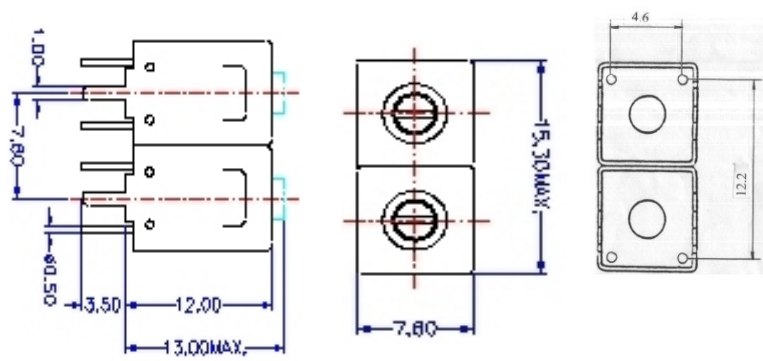


VHF UHF Helical Filter Specification Sheet

Customer Name		Temwell's Part No.	TD6790D-384M
Approval No. /dated	20106048B	Acceptable Specify Fo. Range	356~400MHz
Work Instruction No.	20106048B	Date	June.26.2001

<p>(1)Pin Position</p>  <p style="text-align: center;">Bottom View</p>	<p>(2)Size Diagram</p> 
---	---

(3)Electric Character			
Item		Specify	Performance
Center Freq.(Fo) +/- 0.5 %		384 MHz	384 MHz
Tunable Range		384±4 MHz	384±4 MHz
Insertion Loss		Typ. 4.0 dB	3.06 dB
-3 dB Bandwidth		Typ. 5 MHz	7.4 MHz
Sensitivity (Attenuation)	Fo - 50 MHz	Typ. 46 dBc	49 dBc
	Fo + 50 MHz	Typ. 30 dBc	36 dBc
	Fo - ()MHz	Typ. dBc	dBc
	Fo +()MHz	Typ. dBc	dBc
Return Loss		Min. 12 dB	20.9 dB
Ripple		< 1 dB	dB
Impedance		In / Out : 50 Ω	In / Out : 50 Ω
(4)Torque for Tuning Screw		> 100gf • cm	
(5)Temperature Condition:			
Operating Temperature		0°C ~ +60°C	
Storage Temperature		-20°C ~ +70°C	
(6)Input Power		> 1Watt	
Approval	Supervisor	Designer	Aperture size
C.Y. Chang	C.S. Chang	C.S. Chang	7H2S(4*4.65)F 7H046LB4

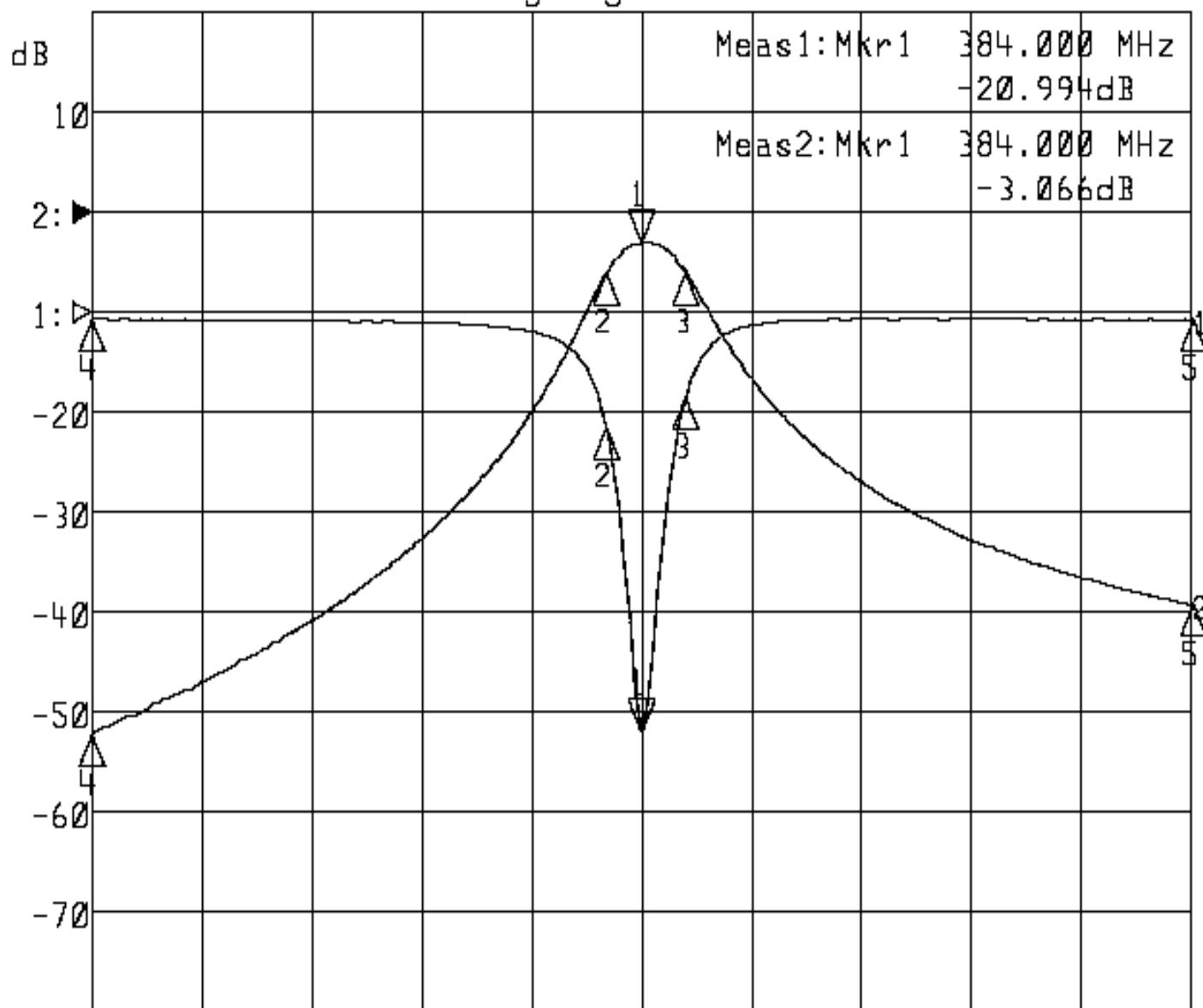
TEMWELL CORPORATION

Performance- TD6790D-384M

20106048B

▷1:S11 Refl Port1 Log Mag 5.0 dB/ Ref 0.00 dB C

▶2:S21 Fwd Trans Log Mag 10.0 dB/ Ref 0.00 dB C



Center 384.000 MHz

Span 100.000 MHz

1:Mkr (MHz)	dB	2:Mkr (MHz)	dB
1> 384.0000	-20.994	1> 384.0000	-3.066
2: 380.8333	-5.764	2: 380.8333	-6.082
3: 388.0667	-4.232	3: 388.0667	-5.943
4: 334.0000	-0.372	4: 334.0000	-52.156
5: 434.0000	-0.390	5: 434.0000	-39.267