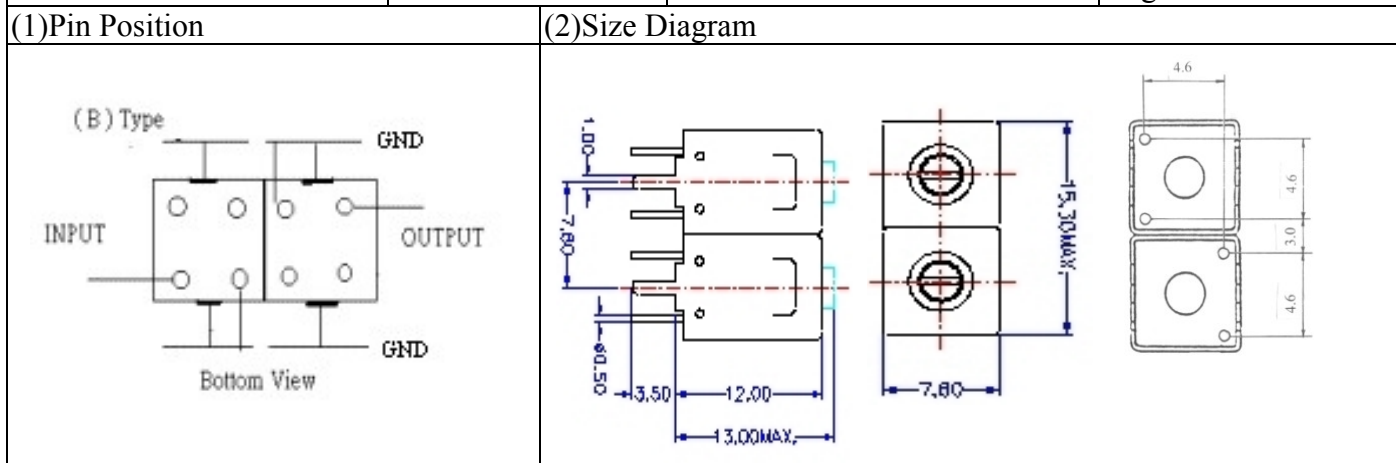


VHF UHF Helical Filter Specification Sheet

Customer Name		Temwell's Part No.	TD6790B-360M
Approval No. /dated	20408097B	Acceptable Specify Fo. Range	356~400M
Work Instruction No.	20408097B	Date	Aug.28.2004



(3) Electric Character

Item	Specify	Performance	
Center Freq.(Fo) +/- 0.5 %	360 MHz	360 MHz	
Tunable Range	360±4 MHz	360±4 MHz	
Insertion Loss	Typ. 2.5 dB	1.39 dB	
-3 dB Bandwidth	Typ. 15 MHz	17.5 MHz	
Sensitivity (Attenuation)	Fo - 40 MHz	Typ. 20 dBc	22 dBc
	Fo + 40 MHz	Typ. 27 dBc	29 dBc
	Fo - ()MHz	Typ. dBc	dBc
	Fo +()MHz	Typ. dBc	dBc
Return Loss	Min. 12 dB	40.3 dB	
Ripple	< 1 dB	dB	
Impedance	In / Out : 50 Ω	In / Out : 50 Ω	

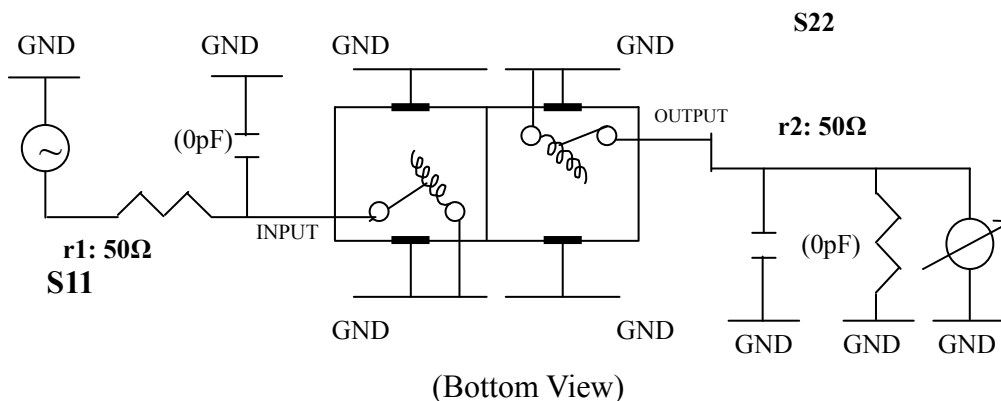
(4) Torque for Tuning Screw > 100gf · cm

(5) Temperature Condition:

Operating Temperature	0°C ~ +60°C
Storage Temperature	-20°C ~ +70°C

(6) Input Power > 1Watt

(7) Measuring Circuit: ※Easy to match Impedance 50Ω/ by parallel with about (0) pF.



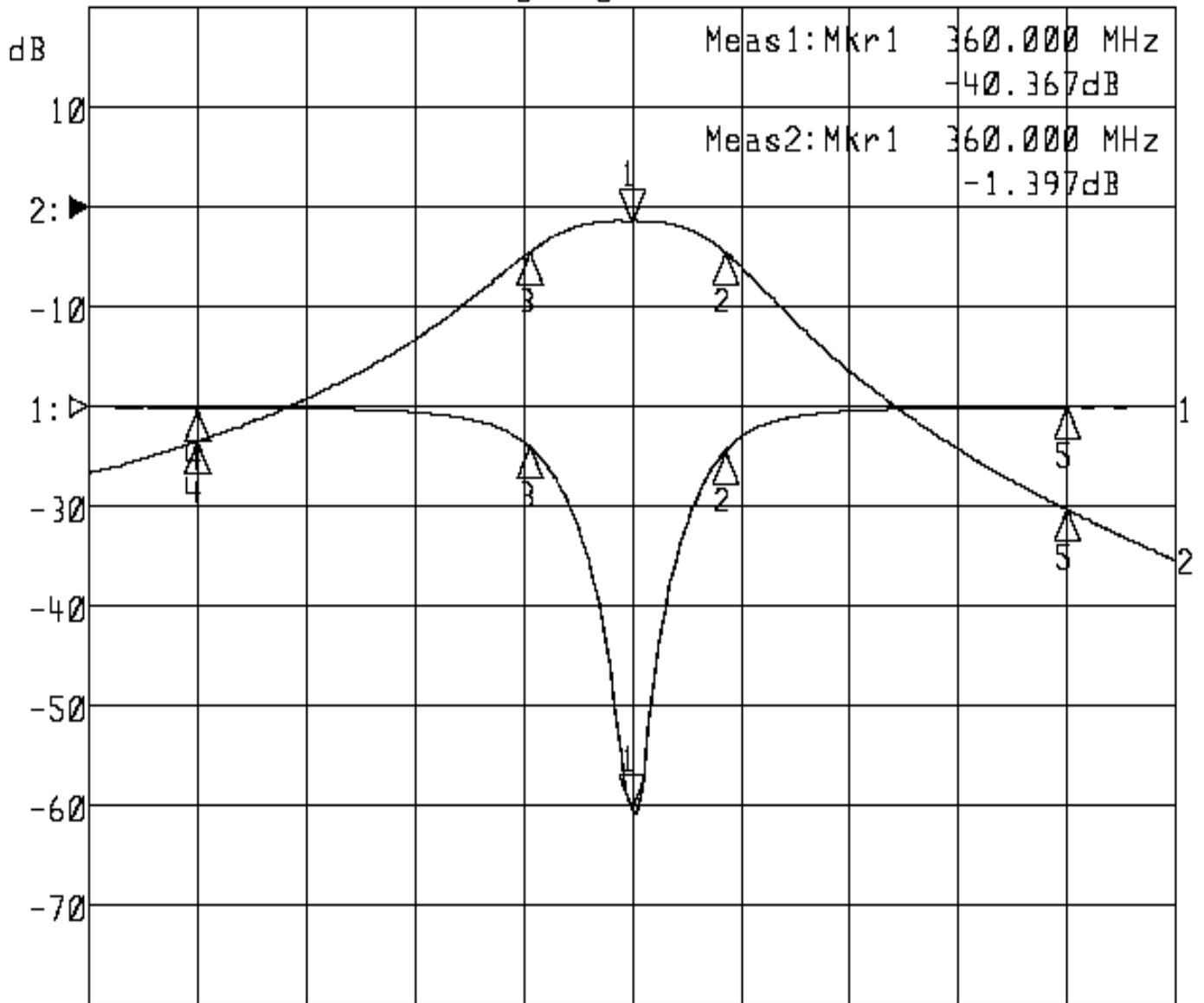
Approval	Supervisor	Designer	Aperture size
C. Y. Chang	C.S.Chang	P.H.Chiang	7H2(4*6.5)(6.55) 7H046LB4 聚 3

TEMWELL CORPORATION

Performance- TD6790B-360M

20408097B

▶1: S11 Refl Port1 Log Mag 10.0 dB/ Ref 0.00 dB C
 ▶2: S21 Fwd Trans Log Mag 10.0 dB/ Ref 0.00 dB C



Center 360.000 MHz

Span 100.000 MHz

1: Mkr (MHz)	dB	2: Mkr (MHz)	dB
1> 360.0000	-40.367	1> 360.0000	-1.397
2: 368.5333	-4.491	2: 368.5333	-4.453
3: 350.6333	-4.029	3: 350.6333	-4.458
4: 320.0000	-0.152	4: 320.0000	-23.481
5: 400.0000	-0.112	5: 400.0000	-30.313