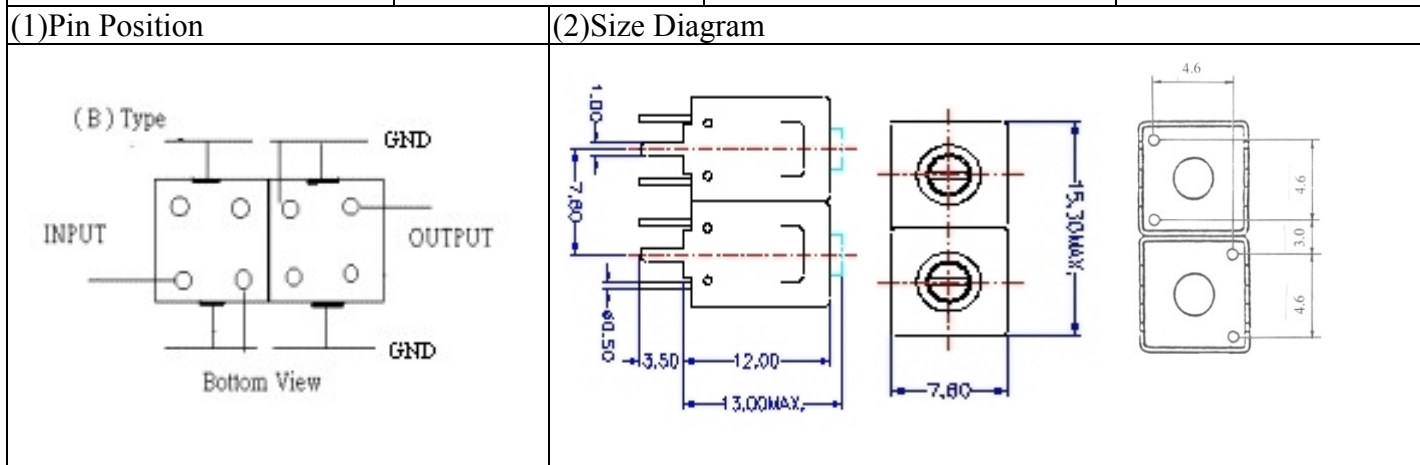


VHF UHF Helical Filter Specification Sheet

Customer Name		Temwell's Part No.	TD67879B-155M
Approval No. /dated	0607004APR	Acceptable Specify Fo. Range	146~165MHz
Work Instruction No.	0607004DB	Date	Jul.07.2006



(3) Electric Character

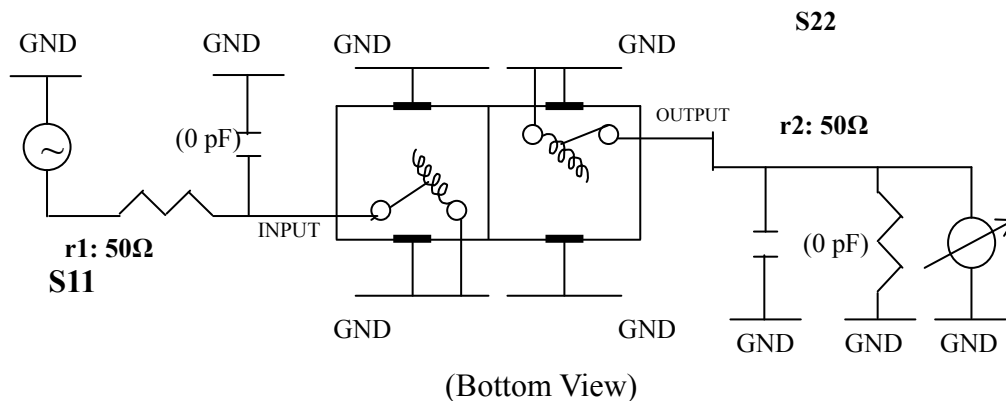
Item	Specify	Performance	
Center Freq.(Fo) +/- 0.5 %	155 MHz	155 MHz	
Tunable Range	155±2 MHz	155±2 MHz	
Insertion Loss	Typ. 2.0 dB	0.85 dB	
-3 dB Bandwidth	Typ. 40 MHz	41.6 MHz	
Sensitivity (Attenuation)	Fo - 100 MHz	Typ. 22 dBc	25 dBc
	Fo + 100 MHz	Typ. 18 dBc	21 dBc
	Fo - ()MHz	Typ. dBc	dBc
	Fo + ()MHz	Typ. dBc	dBc
Return Loss	Min. 12 dB	21.0 dB	
Ripple	< 1 dB	dB	
Impedance	In / Out : 50 Ω	In / Out : 50 Ω	
(4) Torque for Tuning Screw	> 100gf · cm		

(5) Temperature Condition:

Operating Temperature	0°C ~ +60°C
Storage Temperature	-20°C ~ +70°C

(6) Input Power

(7) Measuring Circuit: ※Easy to match Impedance 50Ω/ by parallel with about (0) pF.



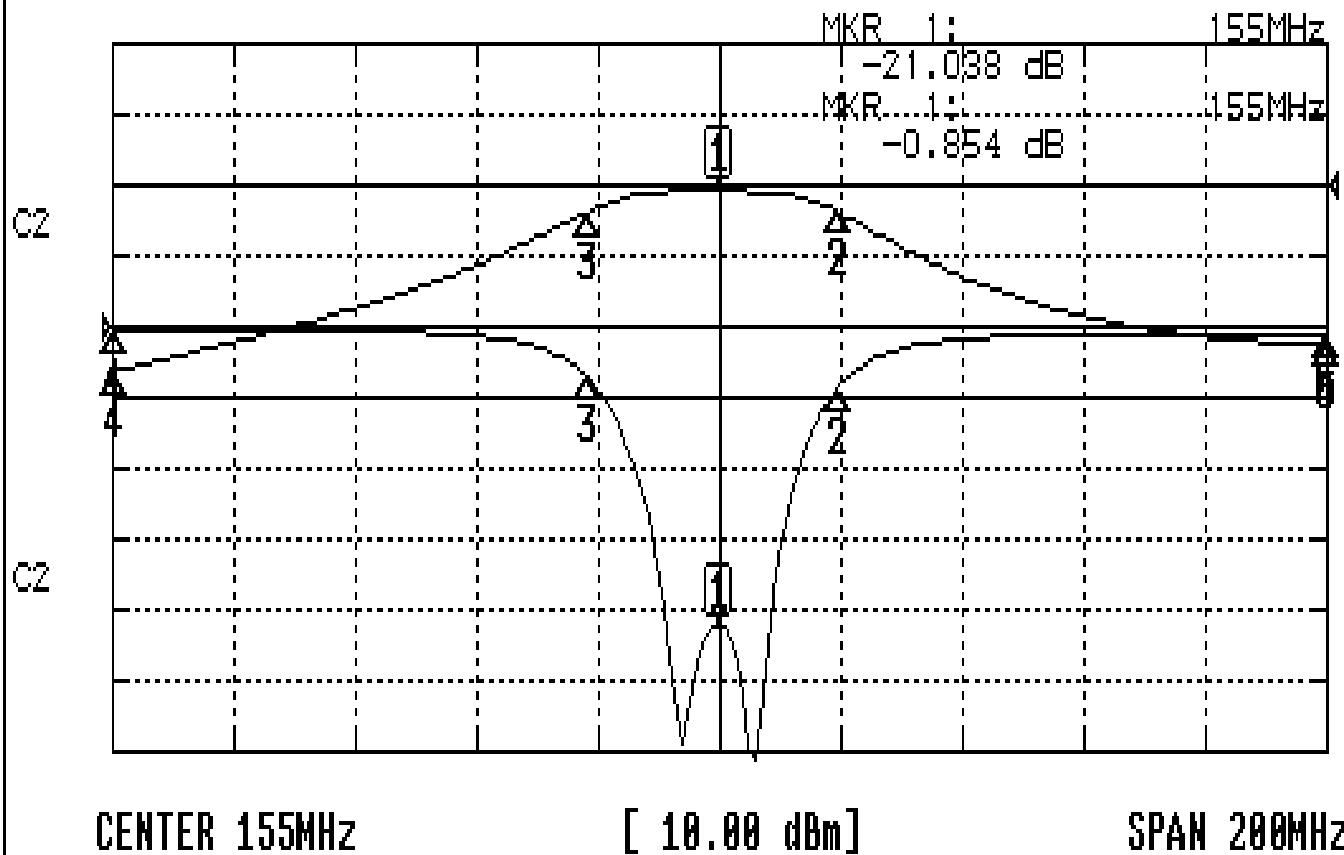
Approval	Supervisor	Designer	Aperture size
C.Y.Chang	C.S.Chang	P.H.Chiang	7H2(4*7.5)(7.60) 7H00LB6
TEMWELL CORPORATION			

TEMWELL RP(P.H)

Performance-TD67879B-155M

0607004DB

CH1 S11 LOG MAG REF 0.000 dB 5.000 dB/
CH2 S21 LOG MAG REF 0.000 dB 10.000 dB/



CH1 MARKER LIST

1:	155.000MHz	-21.036 dB
2:	174.666MHz	-4.247 dB
3:	133.000MHz	-3.402 dB
4:	55.000MHz	-0.163 dB
5:	255.000MHz	-0.447 dB

CH2 MARKER LIST

1:	155.000MHz	-0.854 dB
2:	174.666MHz	-3.355 dB
3:	133.000MHz	-3.515 dB
4:	55.000MHz	-26.365 dB
5:	255.000MHz	-22.610 dB