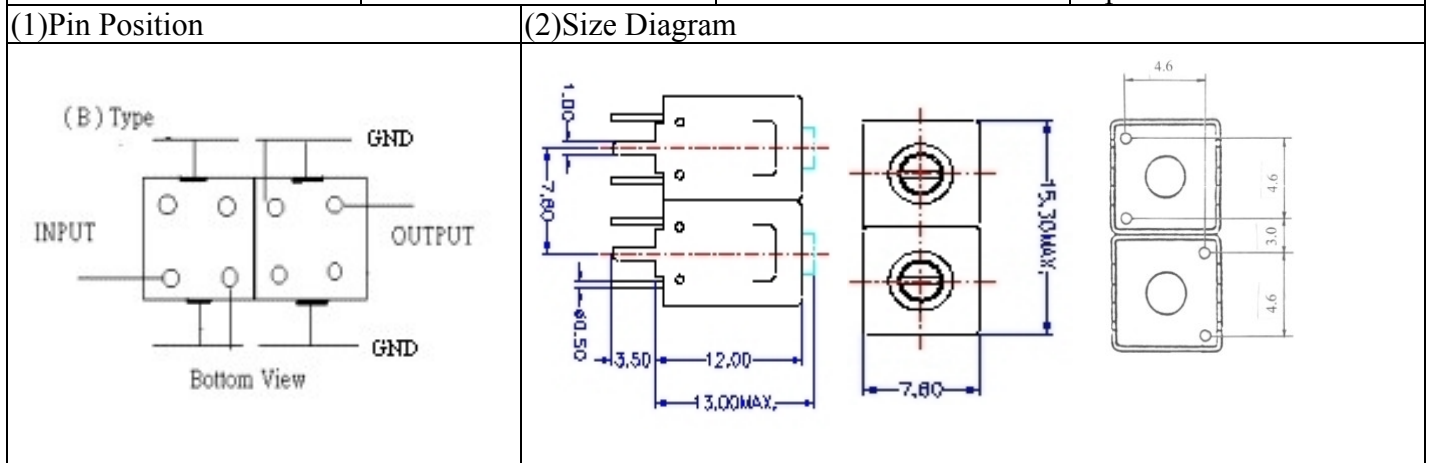


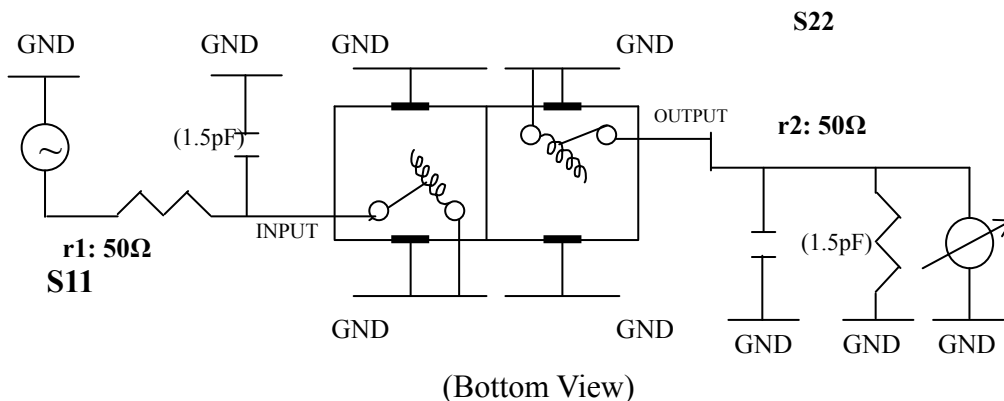
VHF UHF Helical Filter Specification Sheet

| | | | |
|----------------------|-------------|----------------------|----------------|
| Customer Name | | Temwell's Part No. | TD67818B-630M |
| Approval No. /dated | 20508066APR | Temwell's Print Name | 67818B 630M |
| Work Instruction No. | 20508066DC | Date | Sep.13.2005 |



| (3) Electric Characteristic | | | |
|------------------------------|-------------|-----------------|-----------------|
| Item | | Specify | Performance |
| Center Freq.(Fo) +/- 0.5 % | | 630 MHz | 630 MHz |
| Tunable Range | | 630±5 MHz | 630±5 MHz |
| Insertion Loss | | Typ. 4.0 dB | 2.86 dB |
| -3 dB Bandwidth | | Typ. 10 MHz | 13.4 MHz |
| Sensitivity (Attenuation) | Fo - 50 MHz | Typ. 35 dBc | 38 dBc |
| | Fo + 50 MHz | Typ. 30 dBc | 33 dBc |
| | Fo - ()MHz | Typ. dBc | dBc |
| | Fo + ()MHz | Typ. dBc | dBc |
| Return Loss | | Min. 12 dB | 15 dB |
| Ripple | | < 1 dB | dB |
| Impedance | | In / Out : 50 Ω | In / Out : 50 Ω |
| (4) Torque for Tuning Screw | | > 100gf · cm | |
| (5) Temperature Condition: | | | |
| Operating Temperature | | 0°C ~ +60°C | |
| Storage Temperature | | -20°C ~ +70°C | |
| (6) Input Power | | > 1Watt | |

(7) Measuring Circuit: ※Easy to match Impedance 50Ω/ by parallel with about (1.5) pF.



| | | | |
|------------|------------|-----------|------------------------------|
| Approval | Supervisor | Designer | Aperture size |
| C.Y. Chang | C.S. Chang | W.W. Wang | 7H2(4*4.5)(4.55) 7H046RB4 |

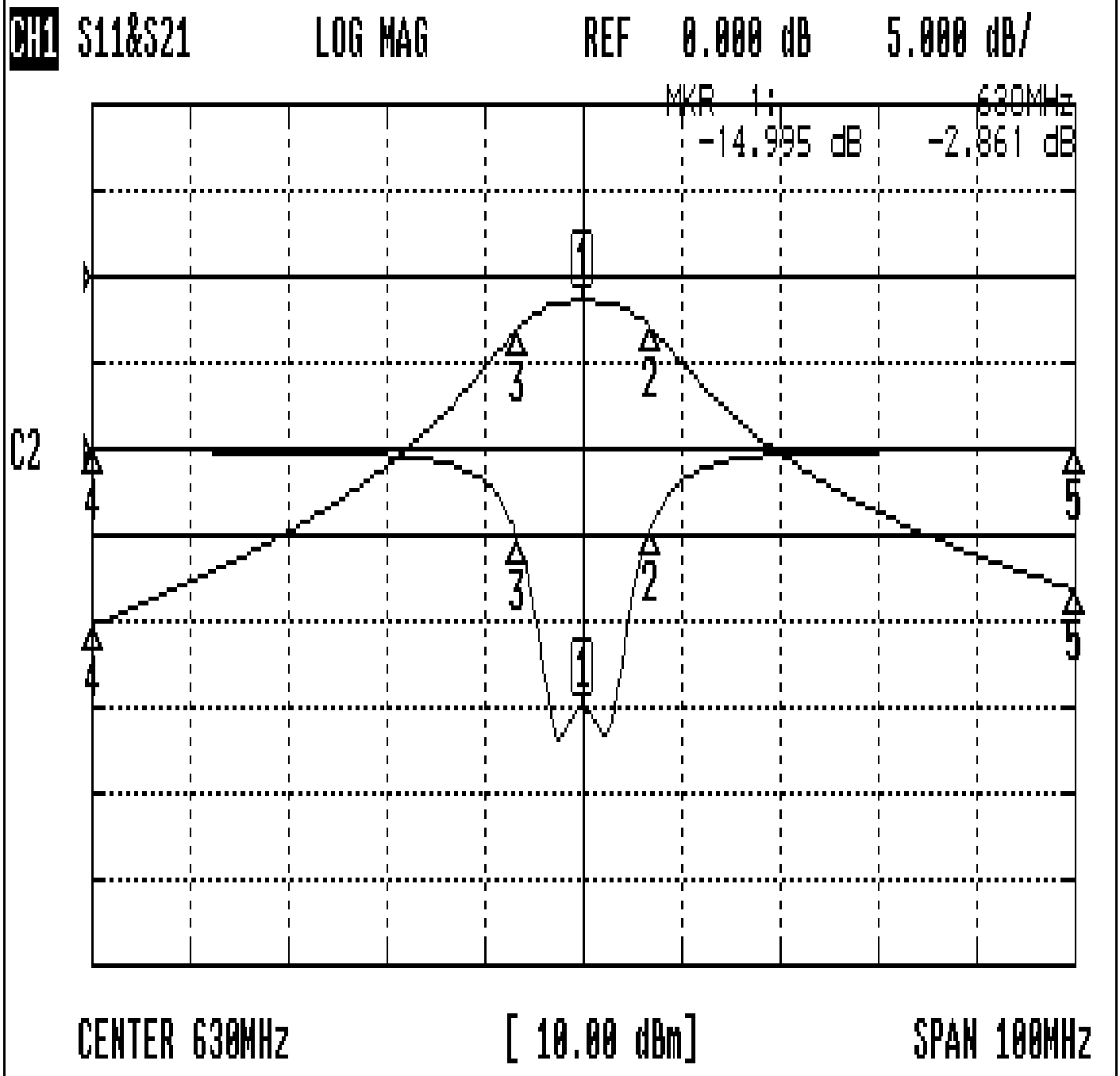
TEMWELL CORPORATION

TEMWELL

Form10-7H2B Vision D

Performance-TD67818B-630M

20508066DC



CH1 MARKER LIST

| | | | |
|----|------------|------------|------------|
| 1: | 630.000MHz | -14.995 dB | -2.861 dB |
| 2: | 636.833MHz | -4.798 dB | -5.882 dB |
| 3: | 623.416MHz | -5.262 dB | -5.950 dB |
| 4: | 580.000MHz | -0.091 dB | -40.559 dB |
| 5: | 680.000MHz | -0.054 dB | -36.353 dB |