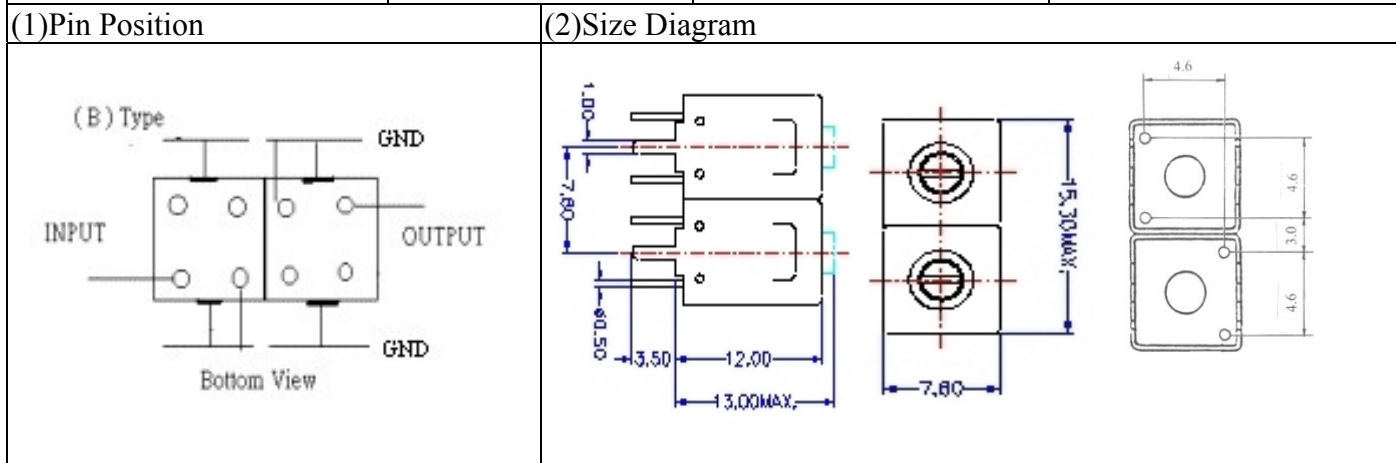


# VHF UHF Helical Filter Specification Sheet

|                      |             |                      |              |
|----------------------|-------------|----------------------|--------------|
| Customer Name        |             | Temwell's Part No.   | TD67815B-70M |
| Approval No. /dated  | 20508063APR | Temwell's Print Name | 68~75M       |
| Work Instruction No. | 20508063DC  | Date                 | Jul.28.2006  |



(3) Electric Character

| Item                         | Specify         | Performance     |        |
|------------------------------|-----------------|-----------------|--------|
| Center Freq.(Fo) +/- 0.5 %   | 70 MHz          | 70 MHz          |        |
| Tunable Range                | 70±2 MHz        | 70±2 MHz        |        |
| Insertion Loss               | Typ. 2.0 dB     | 1.24 dB         |        |
| -3 dB Bandwidth              | Typ. 13 MHz     | 14.7 MHz        |        |
| Sensitivity<br>(Attenuation) | Fo - 50 MHz     | Typ. 21 dBc     | 24 dBc |
|                              | Fo + 50 MHz     | Typ. 21 dBc     | 24 dBc |
|                              | Fo - ( )MHz     | Typ. dBc        | dBc    |
|                              | Fo + ( )MHz     | Typ. dBc        | dBc    |
| Return Loss                  | Min. 12 dB      | 17.0 dB         |        |
| Ripple                       | < 1 dB          | dB              |        |
| Impedance                    | In / Out : 50 Ω | In / Out : 50 Ω |        |

(4) Torque for Tuning Screw > 100gf · cm

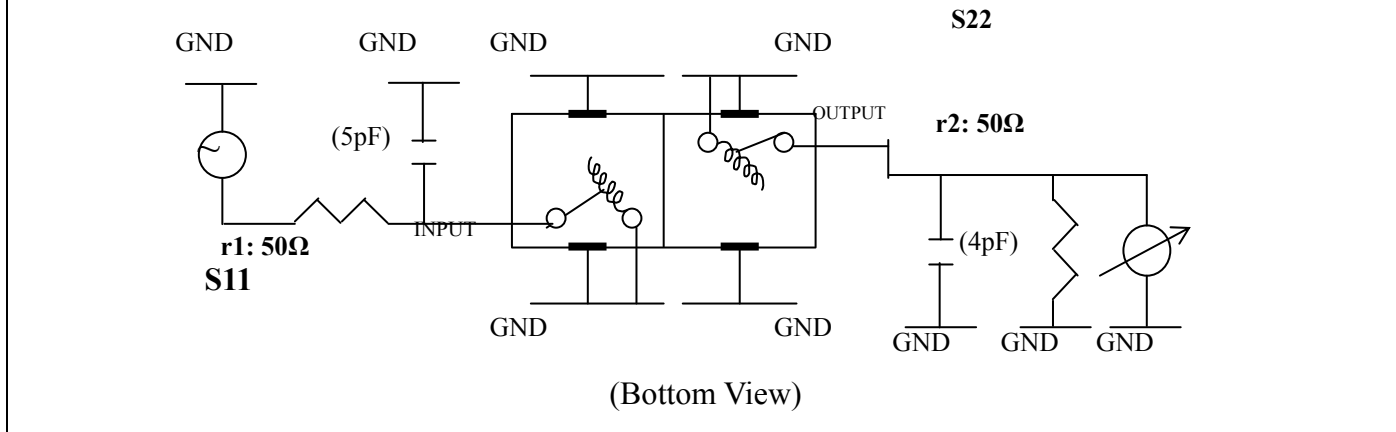
(5) Temperature Condition:

|                       |             |
|-----------------------|-------------|
| Operating Temperature | 0°C ~ +60°C |
|-----------------------|-------------|

|                     |               |
|---------------------|---------------|
| Storage Temperature | -20°C ~ +70°C |
|---------------------|---------------|

(6) Input Power > 1Watt

(7) Measuring Circuit: ※Easy to match Impedance 50Ω by parallel with about ( 5 ) pF.(4 )pF

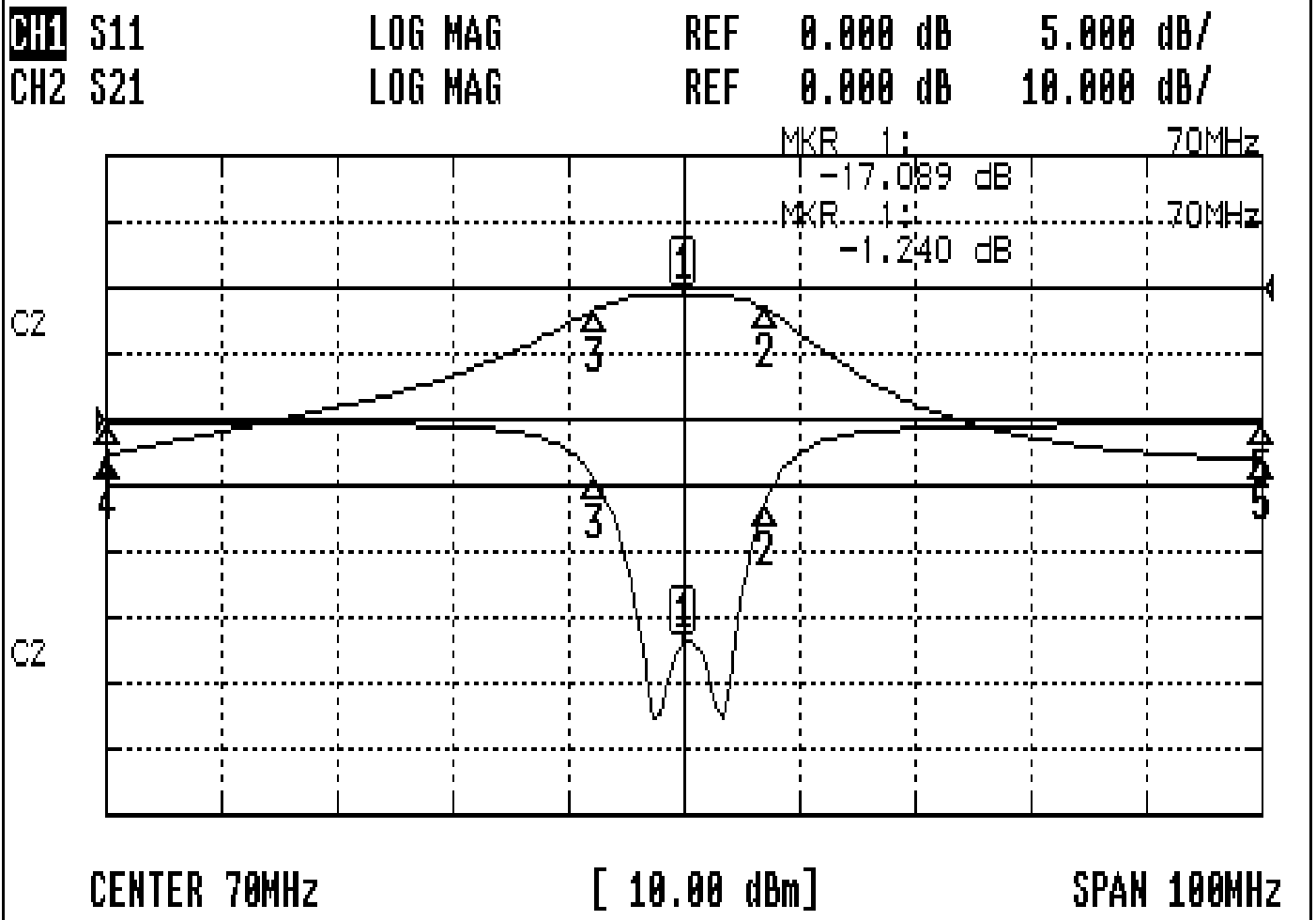


|           |            |          |                         |
|-----------|------------|----------|-------------------------|
| Approval  | Supervisor | Designer | Aperture size           |
| C.Y.Chang | C.S.Chang  | W.W.Wang | 7H2( 4*7.5)F<br>7H00LB6 |

TEMWELL CORPORATION

# Performance-TD67815B-70M

## 20508063DC



### CH1 MARKER LIST

|   |            |         |    |
|---|------------|---------|----|
| 1 | 70.000MHz  | -17.089 | dB |
| 2 | 77.083MHz  | -6.343  | dB |
| 3 | 62.333MHz  | -4.446  | dB |
| 4 | 20.000MHz  | -0.275  | dB |
| 5 | 120.000MHz | -0.339  | dB |

### CH2 MARKER LIST

|   |            |         |    |
|---|------------|---------|----|
| 1 | 70.000MHz  | -1.240  | dB |
| 2 | 77.083MHz  | -1.253  | dB |
| 3 | 62.333MHz  | -1.103  | dB |
| 4 | 20.000MHz  | -25.660 | dB |
| 5 | 120.000MHz | -26.074 | dB |