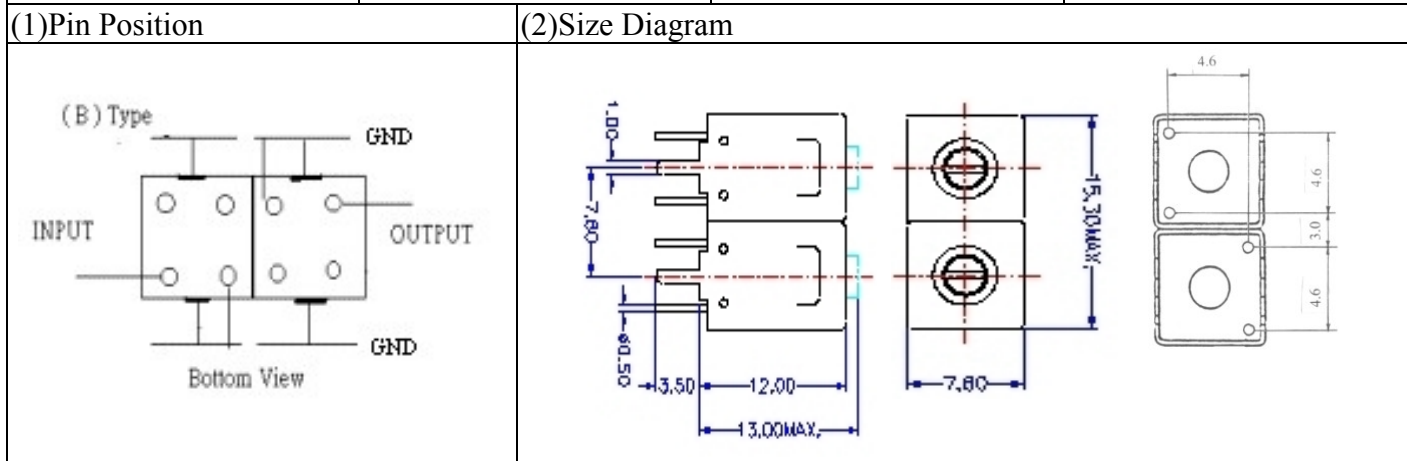


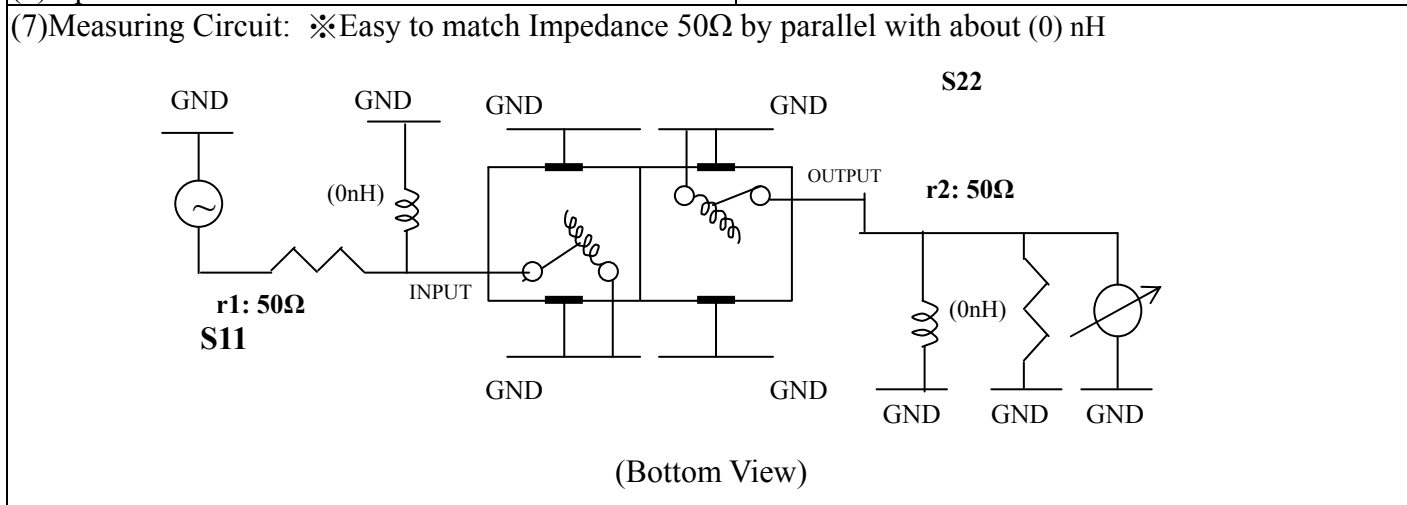
VHF UHF Helical Filter Specification Sheet

Customer Name		Temwell's Part No.	TD6772B-963M
Approval No. /dated	20507140APR	Temwell's print Name	
Work Instruction No.	20507140DC	Date	Aug.23.2005



(3) Electric Character			
Item		Specify	Performance
Center Freq.(Fo) +/- 0.5 %		963 MHz	963 MHz
Tunable Range		963±5 MHz	963±5 MHz
Insertion Loss		Typ. 2.5 dB	1.36 dB
-3 dB Bandwidth		Typ. 45 MHz	50.4 MHz
Sensitivity (Attenuation)	Fo - 100 MHz	Typ. 23 dBc	26 dBc
	Fo + 100 MHz	Typ. 17 dBc	20 dBc
	Fo - ()MHz	Typ. dBc	dBc
	Fo + ()MHz	Typ. dBc	dBc
Return Loss		Min. 12 dB	30.8 dB
Ripple		< 1 dB	dB
Impedance		In / Out : 50 Ω	In / Out : 50 Ω
(4) Torque for Tuning Screw		>1060gf · cm	

(5) Temperature Condition:	
Operating Temperature	0°C ~ +60°C
Storage Temperature	-20°C ~ +70°C
(6) Input Power	> 1Watt

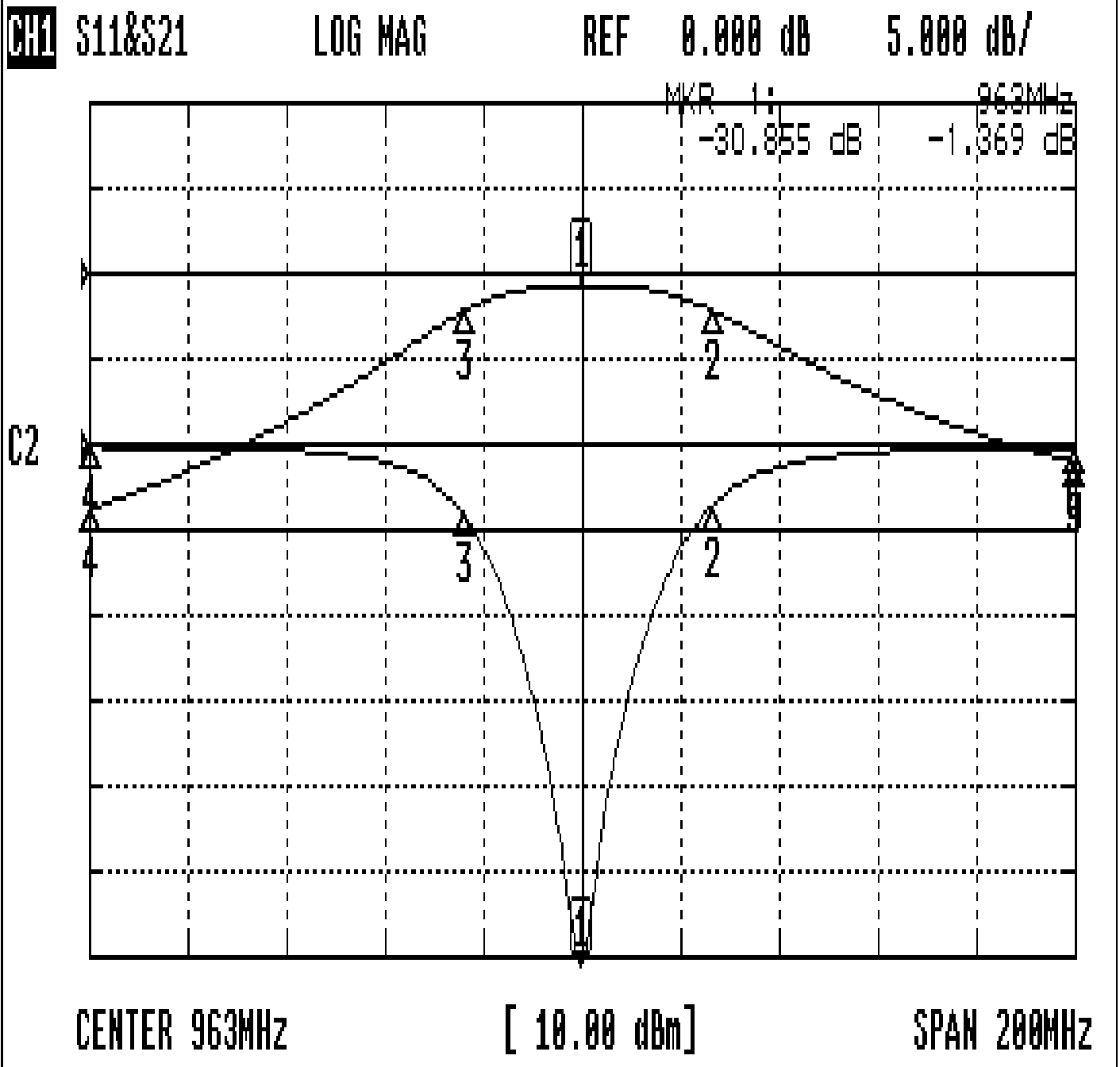


Approval	Supervisor	Designer	Aperture size
C.Y. Chang	C.S. Chang	C.S. Chang	7H2(4*8.0) 7H046RB4

TEMWELL CORPORATION

Performance-TD67772B-963M

20507140DC



CH1 MARKER LIST

1:	963.000MHz	-30.855 dB	-1.369 dB
2:	989.500MHz	-3.536 dB	-4.353 dB
3:	939.166MHz	-4.137 dB	-4.386 dB
4:	863.000MHz	-0.126 dB	-27.568 dB
5:	1.063 000GHz	-0.133 dB	-22.087 dB