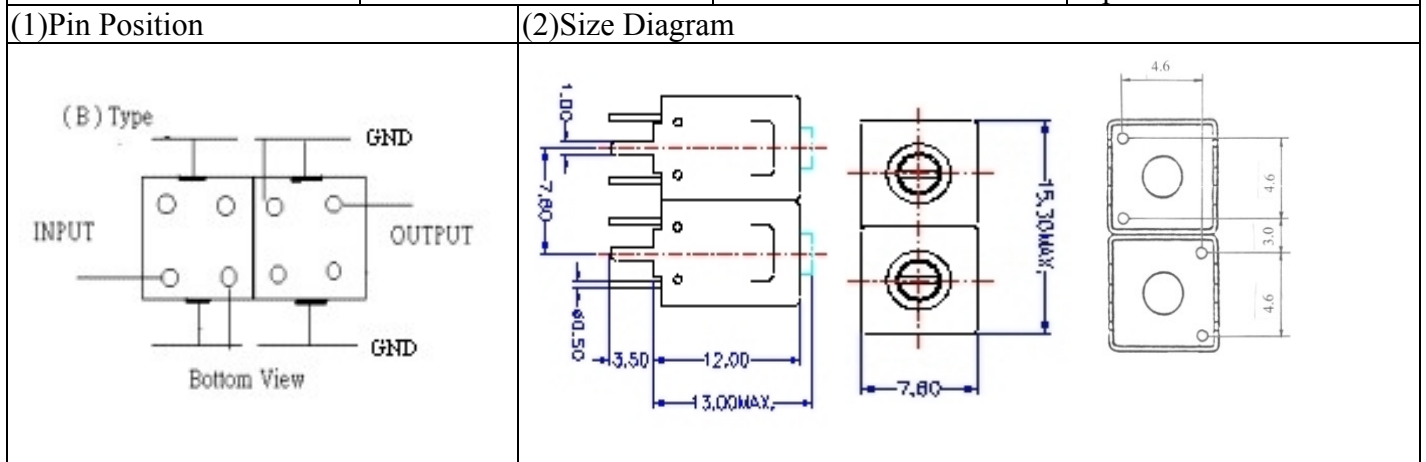


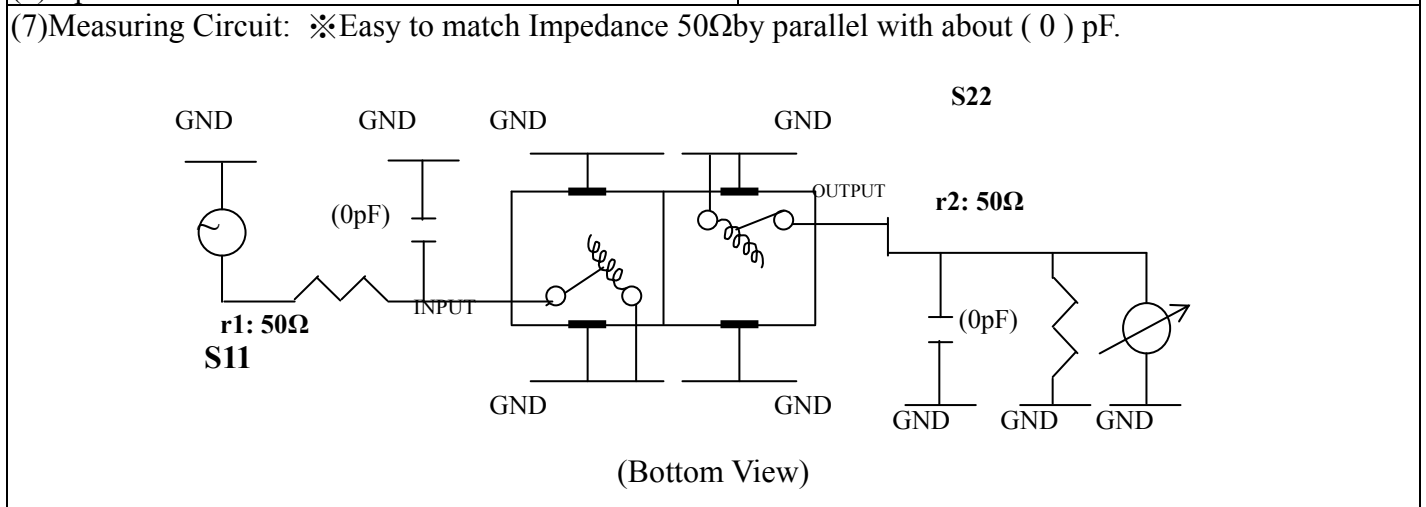
VHF UHF Helical Filter Specification Sheet

| | | | |
|----------------------|-------------|----------------------|----------------|
| Customer Name | | Temwell's Part No. | TD67769B-880M |
| Approval No. /dated | 20507137APR | Temwell's Print Name | 67769B 880M |
| Work Instruction No. | 20507137DC | Date | Sep.05.2005 |



| (3) Electric Character | | Item | Specify | Performance |
|------------------------------|--------------|------|-----------------|-----------------|
| Center Freq.(Fo) +/- 0.5 % | | | 880 MHz | 880 MHz |
| Tunable Range | | | 880±5 MHz | 880±5 MHz |
| Insertion Loss | | Typ. | 2.0 dB | 1.39 dB |
| -3 dB Bandwidth | | Typ. | 44 MHz | 48.8 MHz |
| Sensitivity (Attenuation) | Fo - 120 MHz | Typ. | 29 dBc | 32 dBc |
| | Fo + 120 MHz | Typ. | 21 dBc | 24 dBc |
| | Fo - ()MHz | Typ. | dBc | dBc |
| | Fo + ()MHz | Typ. | dBc | dBc |
| Return Loss | | Min. | 12 dB | 38.2 dB |
| Ripple | | | < 1 dB | dB |
| Impedance | | | In / Out : 50 Ω | In / Out : 50 Ω |

| | |
|-----------------------------|---------------|
| (4) Torque for Tuning Screw | > 100gf · cm |
| (5) Temperature Condition: | |
| Operating Temperature | 0°C ~ +60°C |
| Storage Temperature | -20°C ~ +70°C |
| (6) Input Power | > 1Watt |



| | | | |
|------------|------------|-----------|-----------------------------------|
| Approval | Supervisor | Designer | Aperture size |
| C.Y. Chang | C.S. Chang | W.W. Wang | 7H2, (4*4.65)(4.68) 7H046RB5.5 |

TEMWELL CORPORATION

Performance-TD67769B-880M

20507137DC

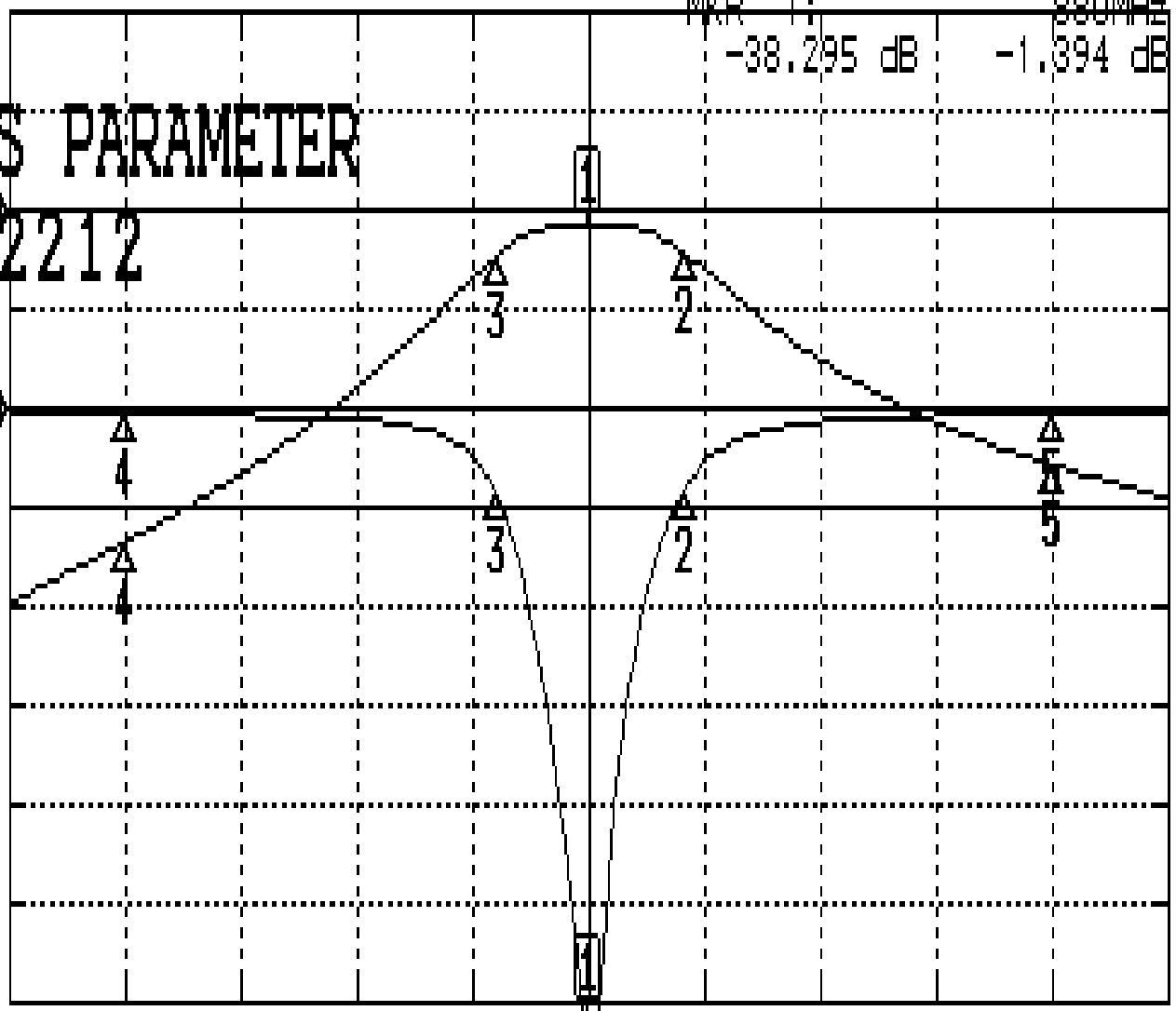
CH1 S22&S12 LOG MAG REF 0.000 dB 10.000 dB/

MKR 1: 880MHz
-38.295 dB -1.394 dB

S PARAMETER

2212

C2



CENTER 880MHz

[10.00 dBm]

SPAN 300MHz

CH1 MARKER LIST

| | | | |
|----|--------------|------------|------------|
| 1: | 880.000MHz | -38.295 dB | -1.394 dB |
| 2: | 905.000MHz | -3.710 dB | -4.408 dB |
| 3: | 856.250MHz | -4.094 dB | -4.448 dB |
| 4: | 760.000MHz | -0.028 dB | -33.452 dB |
| 5: | 1.000 000GHz | 0.006 dB | -25.697 dB |