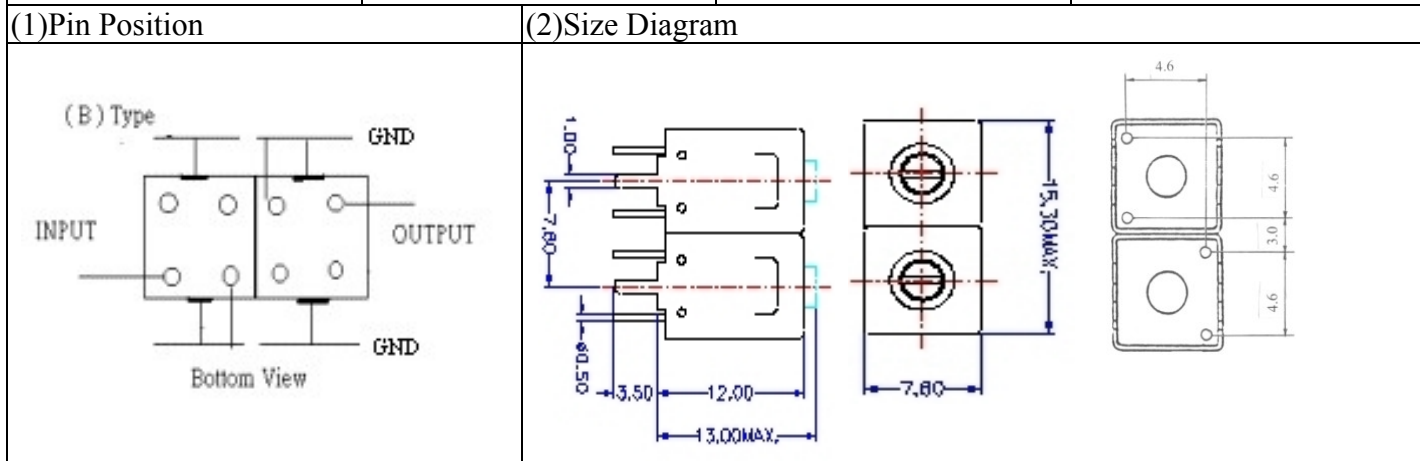


VHF UHF Helical Filter Specification Sheet

Customer Name		Temwell's Part No.	TD67763B-1215M
Approval No. /dated	20507131APR	Temwell's print Name	
Work Instruction No.	20507131DC	Date	Aug.24.2005



(3) Electric Character

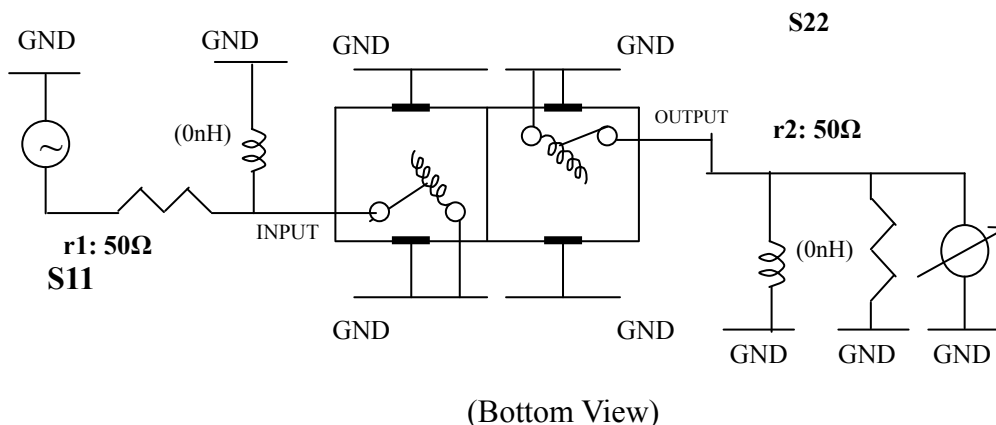
Item	Specify	Performance	
Center Freq.(Fo) +/- 0.5 %	1215 MHz	1215 MHz	
Tunable Range	1215±5 MHz	1215±5 MHz	
Insertion Loss	Typ. 2.5 dB	1.61 dB	
-3 dB Bandwidth	Typ. 35 MHz	41.8 MHz	
Sensitivity (Attenuation)	Fo - 100 MHz	Typ. 27 dBc	30 dBc
	Fo + 100 MHz	Typ. 20 dBc	23 dBc
	Fo - ()MHz	Typ. dBc	dBc
	Fo + ()MHz	Typ. dBc	dBc
Return Loss	Min. 12 dB	30.7 dB	
Ripple	< 1 dB	dB	
Impedance	In / Out : 50 Ω	In / Out : 50 Ω	
(4) Torque for Tuning Screw	> 100gf · cm		

(5) Temperature Condition:

Operating Temperature	0°C ~ +60°C
Storage Temperature	-20°C ~ +70°C

(6) Input Power

(7) Measuring Circuit: ※Easy to match Impedance 50Ω by parallel with about (0) nH

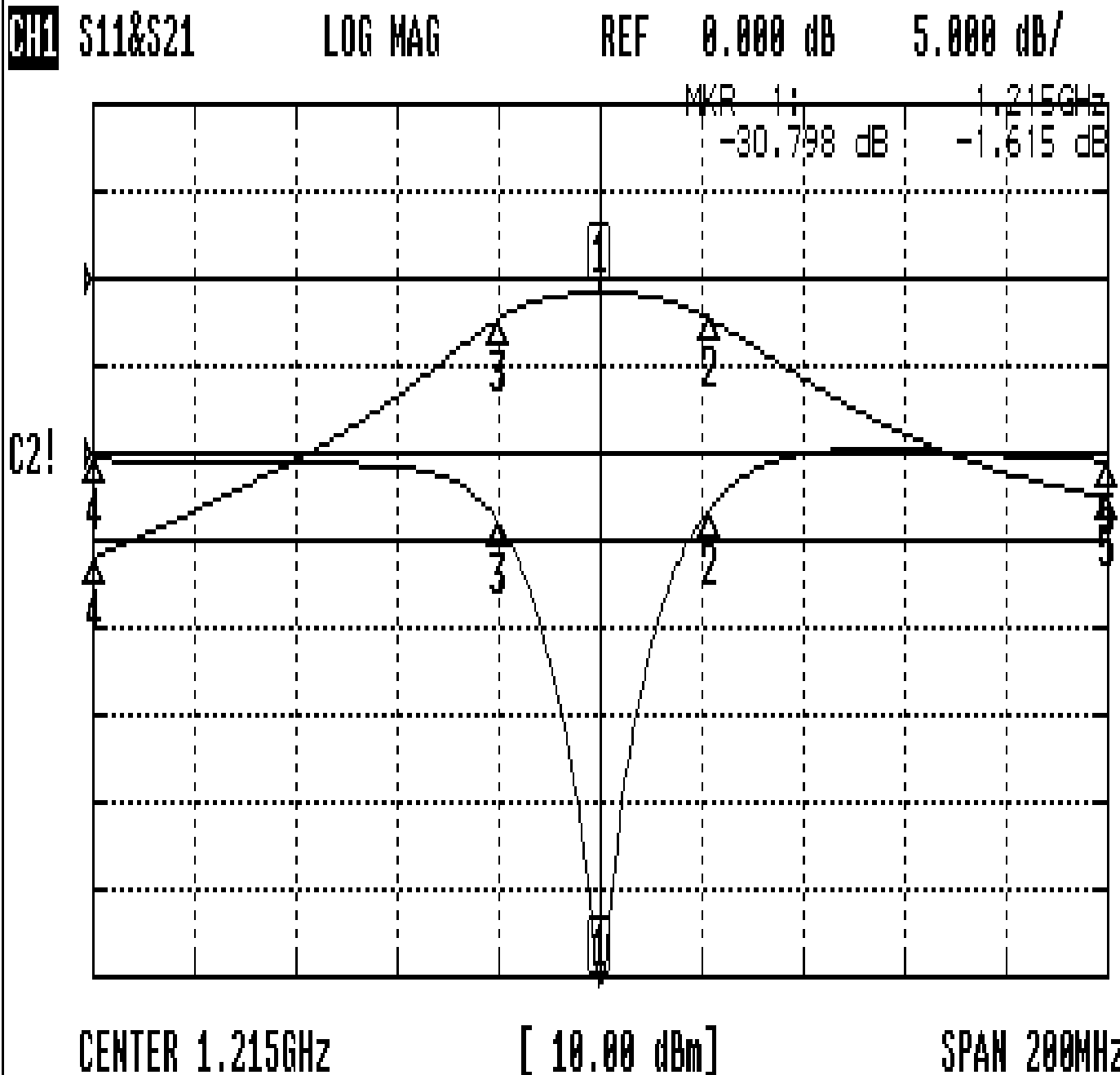


Approval	Supervisor	Designer	Aperture size
C.Y. Chang	C.S. Chang	C.S. Chang	7H2(4*7.5) 7H046RB4

TEMWELL CORPORATION

Performance-TD67763B-1215M

20507131DC



CH1 MARKER LIST

1:	1.215 000GHz	-30.798 dB	-1.615 dB
2:	1.236 833GHz	-3.890 dB	-4.612 dB
3:	1.195 000GHz	-3.894 dB	-4.635 dB
4:	1.115 000GHz	-0.340 dB	-32.083 dB
5:	1.315 000GHz	-0.417 dB	-24.954 dB