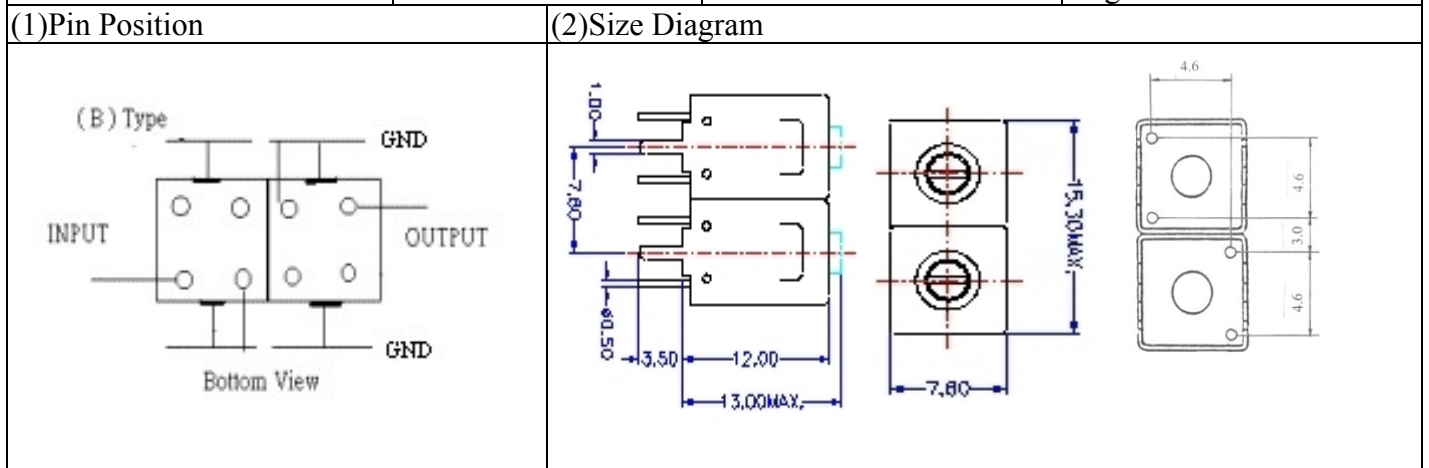


VHF UHF Helical Filter Specification Sheet

Customer Name		Temwell's Part No.	TD67762B-1140M
Approval No. /dated	20507130APR	Temwell's Print Name	
Work Instruction No.	20507130DC	Date	Aug.10.2005



(3) Electric Character

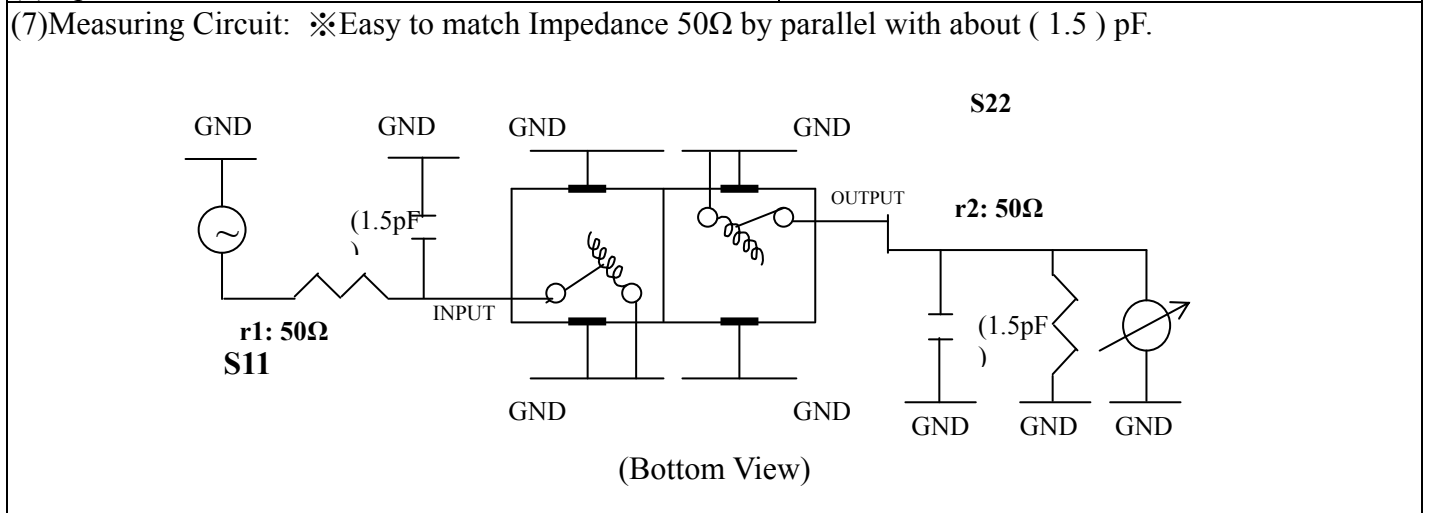
Item	Specify	Performance	
Center Freq.(Fo) +/- 0.5 %	1140 MHz	1140 MHz	
Tunable Range	1140±5 MHz	1140±5 MHz	
Insertion Loss	Typ. 2.5 dB	1.52 dB	
-3 dB Bandwidth	Typ. 35 MHz	42.4 MHz	
Sensitivity (Attenuation)	Fo - 50 MHz	Typ. 13 dBc	15 dBc
	Fo + 50 MHz	Typ. 11 dBc	13 dBc
	Fo - ()MHz	Typ. dBc	dBc
	Fo + ()MHz	Typ. dBc	dBc
Return Loss	Min. 12 dB	19.1 dB	
Ripple	< 1 dB	dB	
Impedance	In / Out : 50 Ω	In / Out : 50 Ω	

(4) Torque for Tuning Screw > 100gf · cm

(5) Temperature Condition:

Operating Temperature	0°C ~ +60°C
Storage Temperature	-20°C ~ +70°C

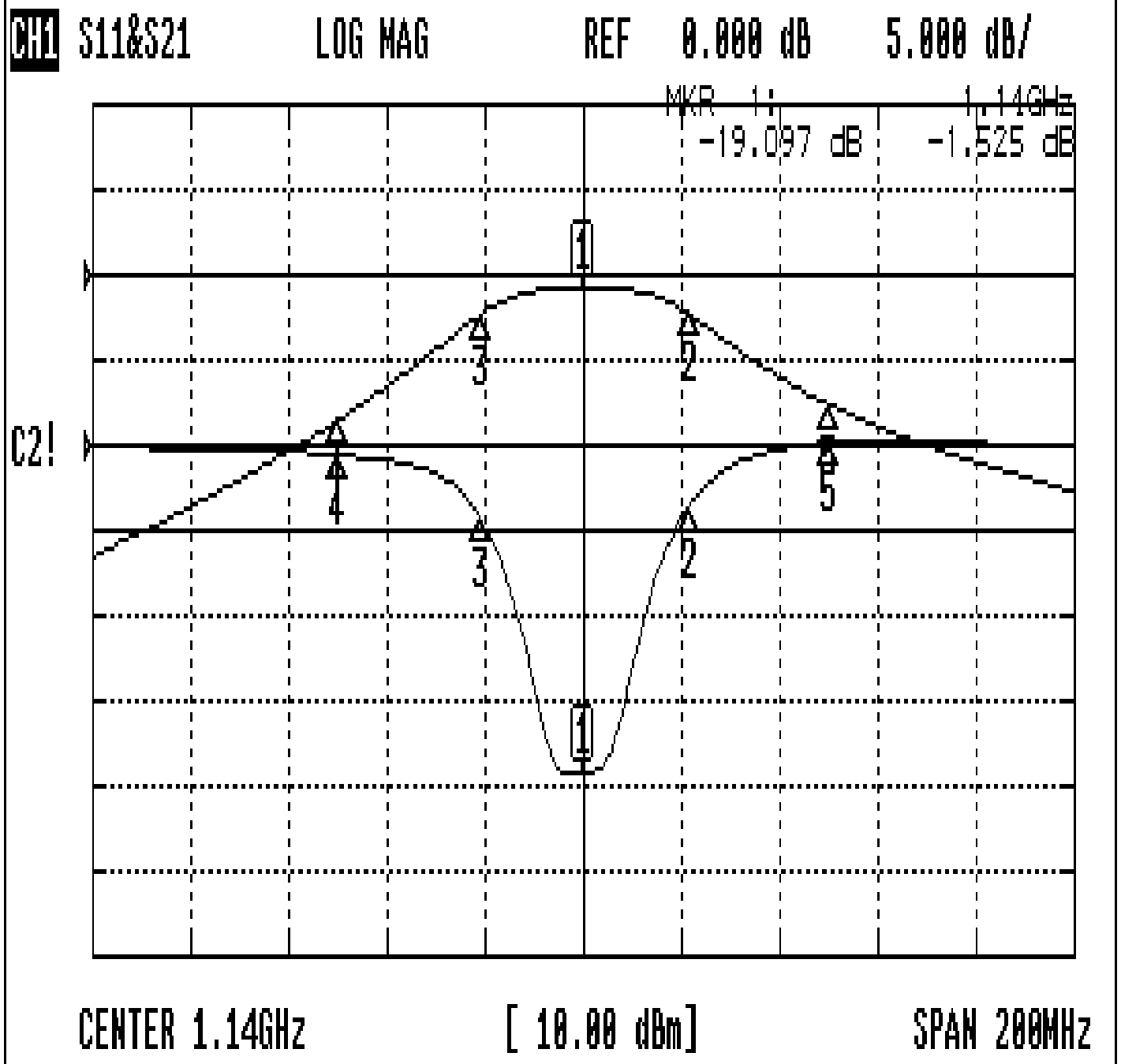
(6) Input Power > 1Watt



Approval	Supervisor	Designer	Aperture size
C.Y. Chang	C.S. Chang	C.S. Chang	7H2S(4*7.5) 7H046RB4

Performance-TD67762B-1140M

20507130DC



CH1 MARKER LIST

1:	1.140 000GHz	-19.106 dB	-1.523 dB
2:	1.161 500GHz	-3.552 dB	-4.564 dB
3:	1.119 166GHz	-4.214 dB	-4.589 dB
4:	1.090 000GHz	-0.568 dB	-17.052 dB
5:	1.190 000GHz	0.176 dB	-15.186 dB