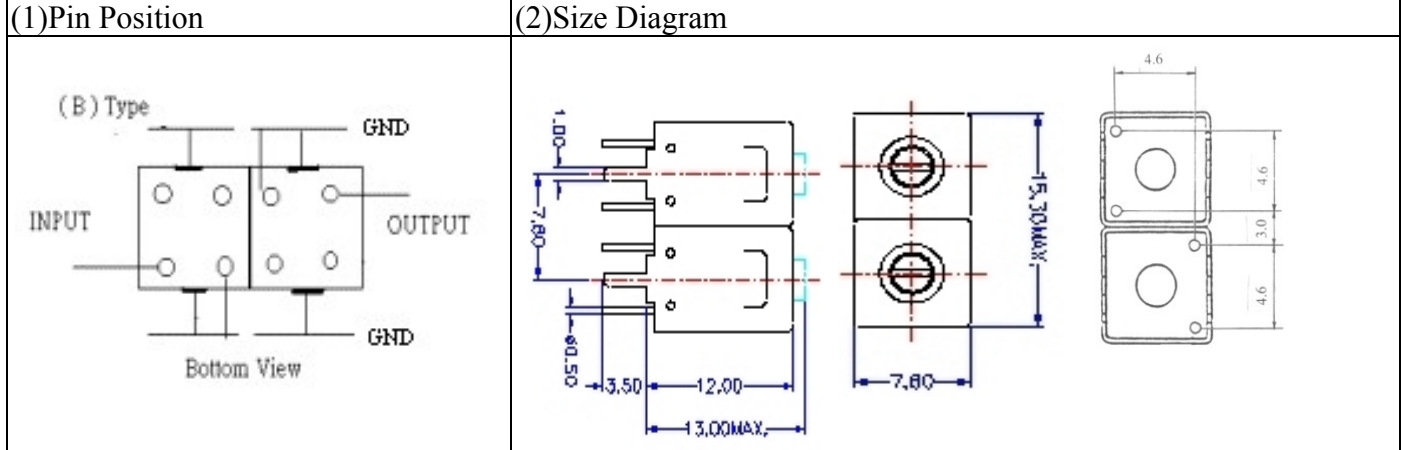


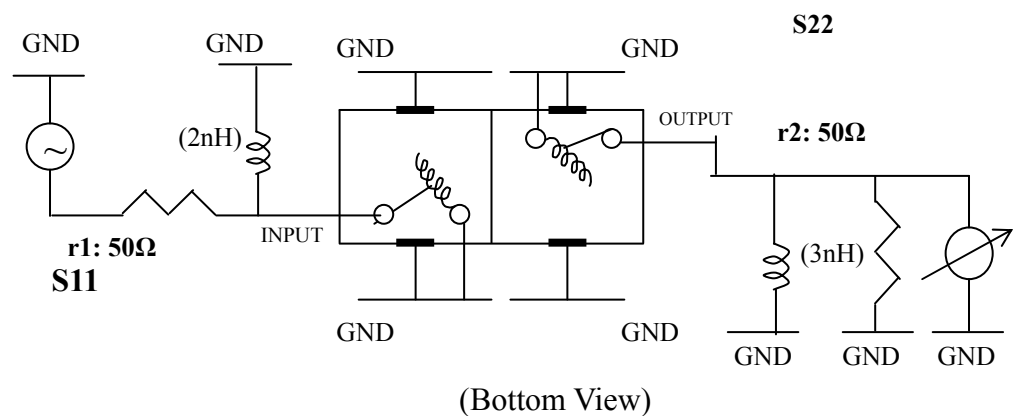
VHF UHF Helical Filter Specification Sheet

Customer Name		Temwell's Part No.	TD67761B-988M
Approval No. /dated	20507129APR	Temwell's print Name	
Work Instruction No.	20507129DC	Date	Aug.15.2005



(3)Electric Character					
Item		Specify		Performance	
Center Freq.(Fo) +/- 0.5 %		988 MHz		988 MHz	
Tunable Range		988±5 MHz		988±5 MHz	
Insertion Loss		Typ. 3.0 dB		1.90 dB	
-3 dB Bandwidth		Typ. 35 MHz		40.7 MHz	
Sensitivity (Attenuation)	Fo - 100 MHz	Typ. 26 dBc		29 dBc	
	Fo + 100 MHz	Typ. 19 dBc		22 dBc	
	Fo - ()MHz	Typ. dBc		dBc	
	Fo + ()MHz	Typ. dBc		dBc	
Return Loss		Min. 12 dB		17.3 dB	
Ripple		< 1 dB		dB	
Impedance		In / Out : 50 Ω		In / Out : 50 Ω	
(4)Torque for Tuning Screw		> 100gf · cm			
(5)Temperature Condition:					
Operating Temperature		0°C ~ +60°C			
Storage Temperature		-20°C ~ +70°C			
(6)Input Power		> 1Watt			

(7)Measuring Circuit: ※Easy to match Impedance 50Ω by parallel with about (2) nH / .(3)nH

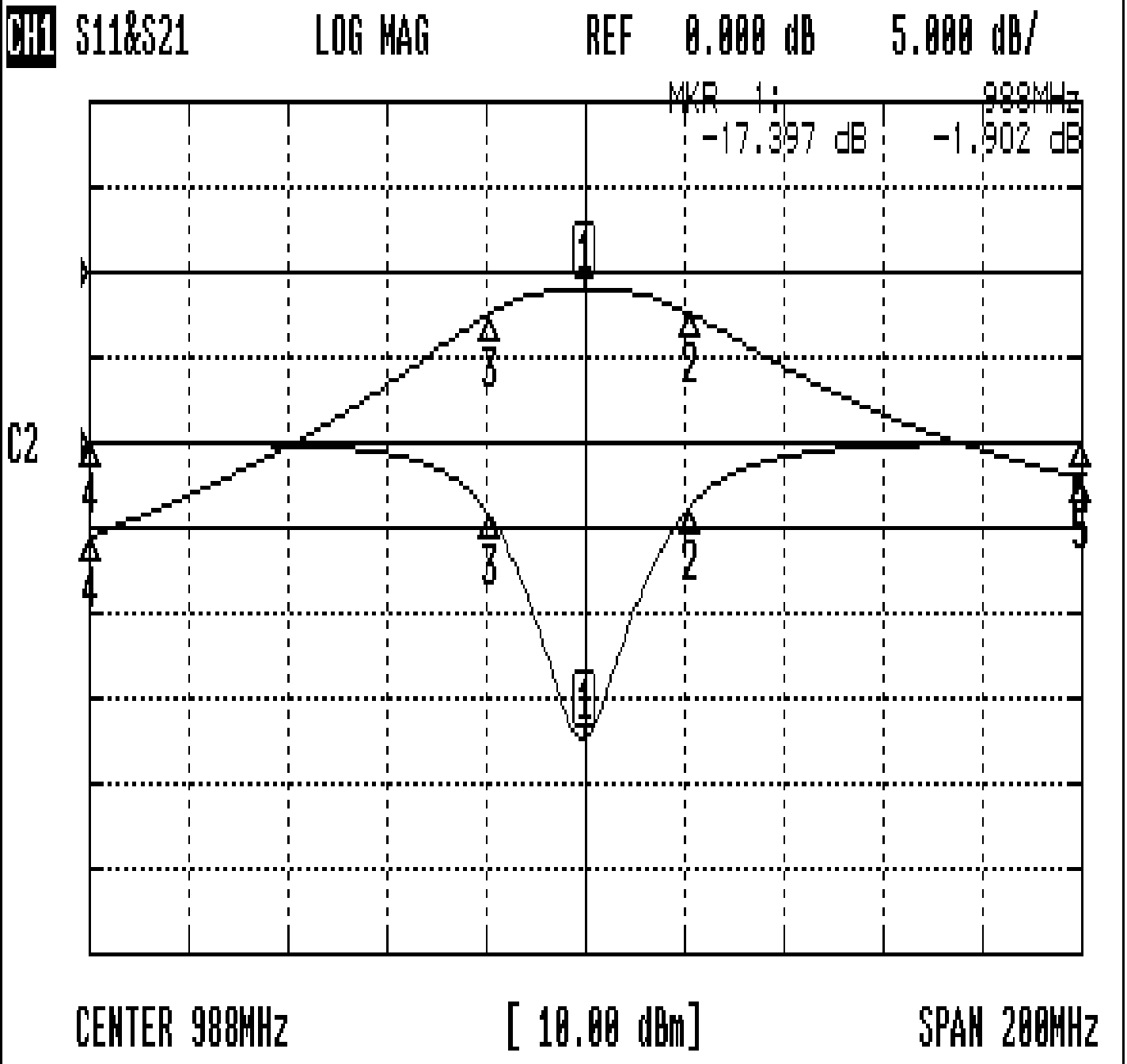


Approval	Supervisor	Designer	Aperture size
C.Y. Chang	C.S. Chang	C.S. Chang	7H2S(4*8.0) 7H046RB4

TEMWELL CORPORATION

Performance-TD67761B-988M

20507129DC



CH1 MARKER LIST

1:	988.000MHz	-17.397 dB	-1.902 dB
2:	1.009 333GHz	-3.741 dB	-4.893 dB
3:	968.666MHz	-4.251 dB	-4.854 dB
4:	888.000MHz	-0.002 dB	-31.045 dB
5:	1.088 000GHz	0.065 dB	-24.141 dB