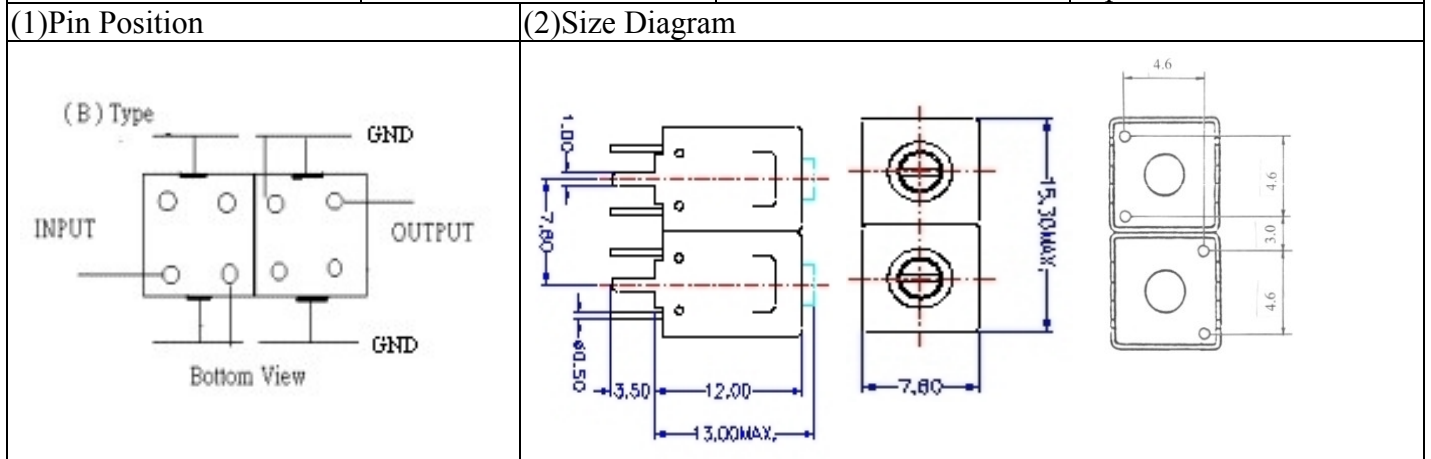


# VHF UHF Helical Filter Specification Sheet

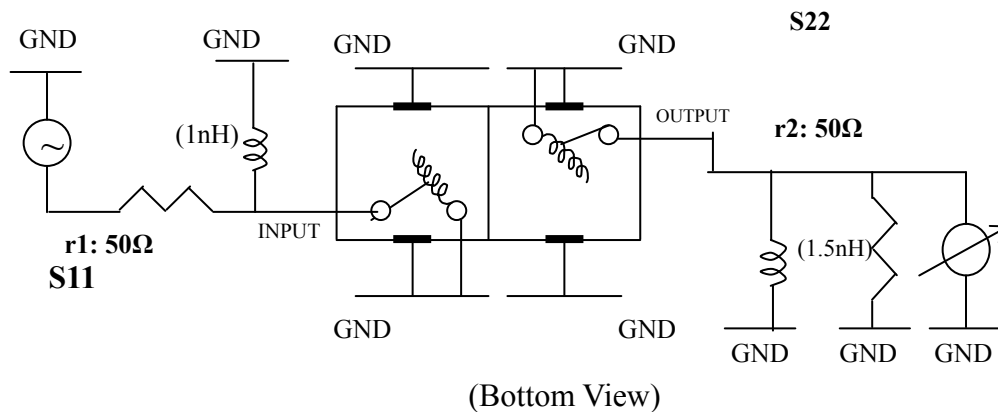
Customer Name		Temwell's Part No.	TD67754B-775M
Approval No. /dated	20507122APR	Temwell's print Name	67754B 775M
Work Instruction No.	20507122DC	Date	Sep.19.2005



(3) Electric Character			
Item	Specify	Performance	
Center Freq.(Fo) +/- 0.5 %	775 MHz	775	MHz
Tunable Range	775±5 MHz	775±5	MHz
Insertion Loss	Typ. 2.0 dB	0.97	dB
-3 dB Bandwidth	Typ. 34 MHz	38.2	MHz
Sensitivity (Attenuation)	Fo - 100 MHz	Typ. 30	dBc
	Fo + 100 MHz	Typ. 22	dBc
	Fo - ( )MHz	Typ.	dBc
	Fo + ( )MHz	Typ.	dBc
Return Loss	Min. 12 dB	20.0	dB
Ripple	< 1 dB		dB
Impedance	In / Out : 50 Ω	In / Out : 50 Ω	

(4) Torque for Tuning Screw	> 100gf • cm
(5) Temperature Condition:	
Operating Temperature	0°C ~ +60°C
Storage Temperature	-20°C ~ +70°C
(6) Input Power	> 1Watt

(7) Measuring Circuit: ※ Easy to match Impedance 50Ω/ by parallel with about ( 0~1.5 ) nH.

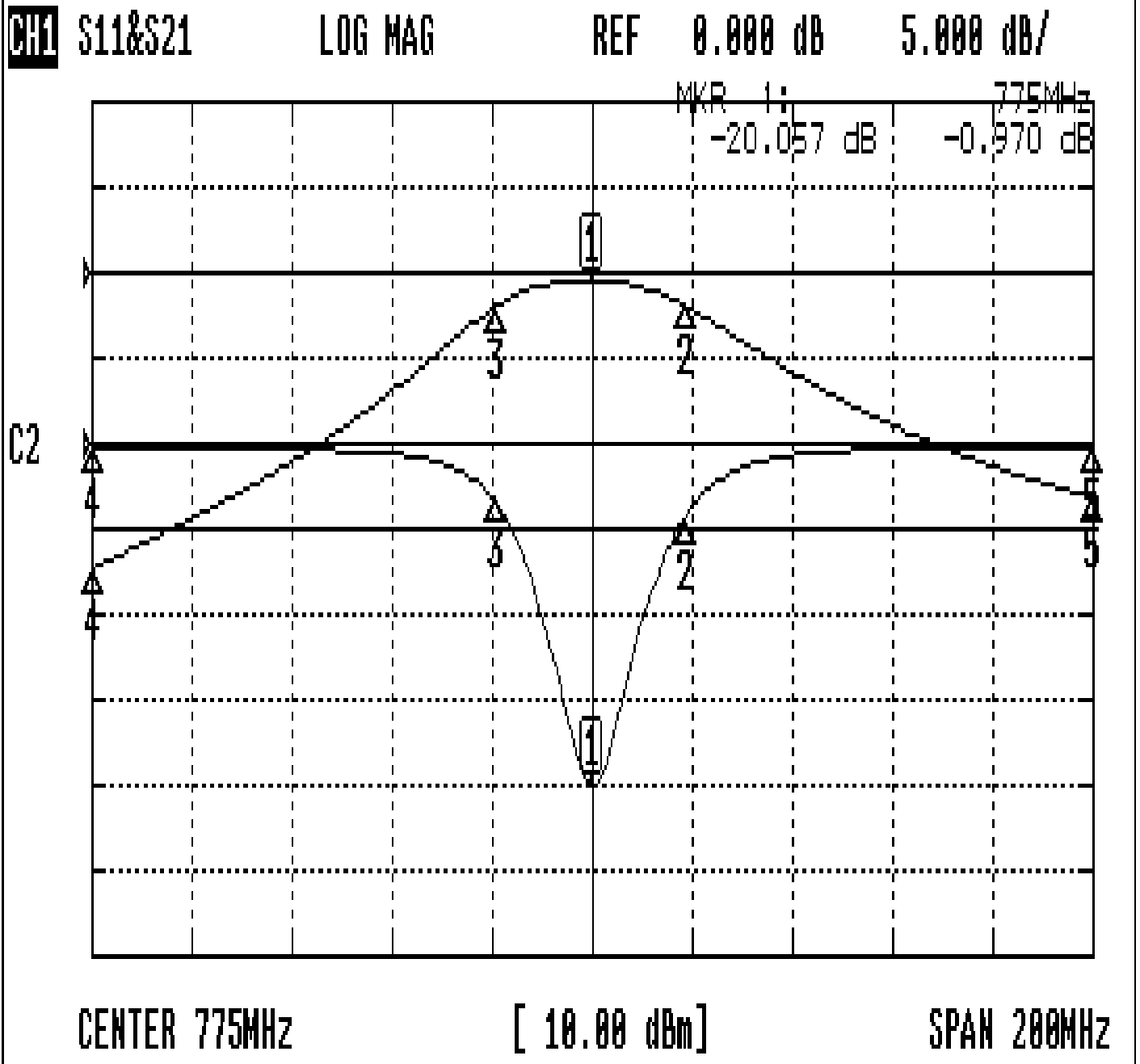


Approval	Supervisor	Designer	Aperture size
C.Y. Chang	C.S. Chang	P.H. Chiang	7H2(4*8.0)(7.99) 7H046RB4

TEMWELL CORPORATION

# Performance-TD67754B-775M

## 20507122DC



### CH1 MARKER LIST

1:	775.000MHz	-20.054 dB	-0.970 dB
2:	793.833MHz	-4.178 dB	-3.955 dB
3:	755.666MHz	-3.372 dB	-3.980 dB
4:	675.000MHz	-0.283 dB	-34.736 dB
5:	875.000MHz	-0.236 dB	-26.268 dB