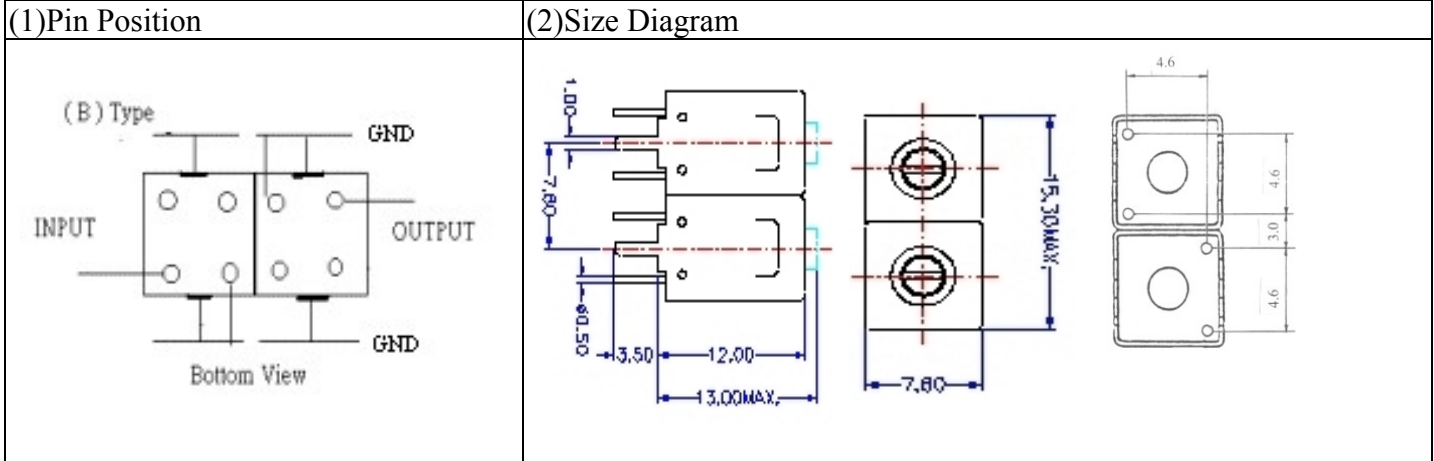


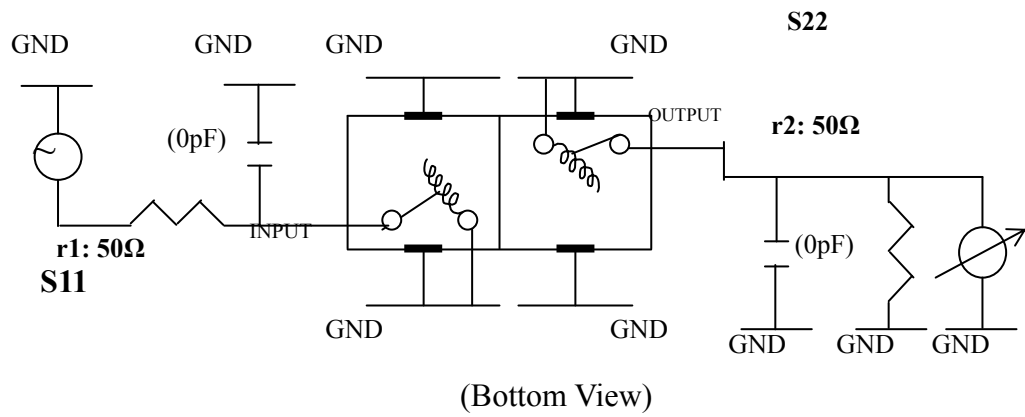
# VHF UHF Helical Filter Specification Sheet

Customer Name		Temwell's Part No.	TD67747B-880M
Approval No. /dated	20507115APR	Acceptable Specify Fo. Range	861~900MHz
Work Instruction No.	20507115DC	Date	Sep.05.2005



(3) Electric Character			
Item	Specify	Performance	
Center Freq.(Fo) +/- 0.5 %	880 MHz	880	MHz
Tunable Range	880±10 MHz	880±10	MHz
Insertion Loss	Typ. 2.5 dB	1.62	dB
-3 dB Bandwidth	Typ. 24 MHz	28.8	MHz
Sensitivity (Attenuation)	Fo - 100 MHz	Typ. 34	dBc
	Fo + 100 MHz	Typ. 28	dBc
	Fo - ( )MHz	Typ.	dBc
	Fo +( )MHz	Typ.	dBc
Return Loss	Min. 12 dB	36.1	dB
Ripple	< 1 dB		dB
Impedance	In / Out : 50 Ω	In / Out : 50 Ω	
(4) Torque for Tuning Screw	> 100gf • cm		
(5) Temperature Condition:			
Operating Temperature	0°C ~ +60°C		
Storage Temperature	-20°C ~ +70°C		
(6) Input Power	> 1Watt		

(7) Measuring Circuit: ※Easy to match Impedance 50Ω by parallel with about (0) pF.

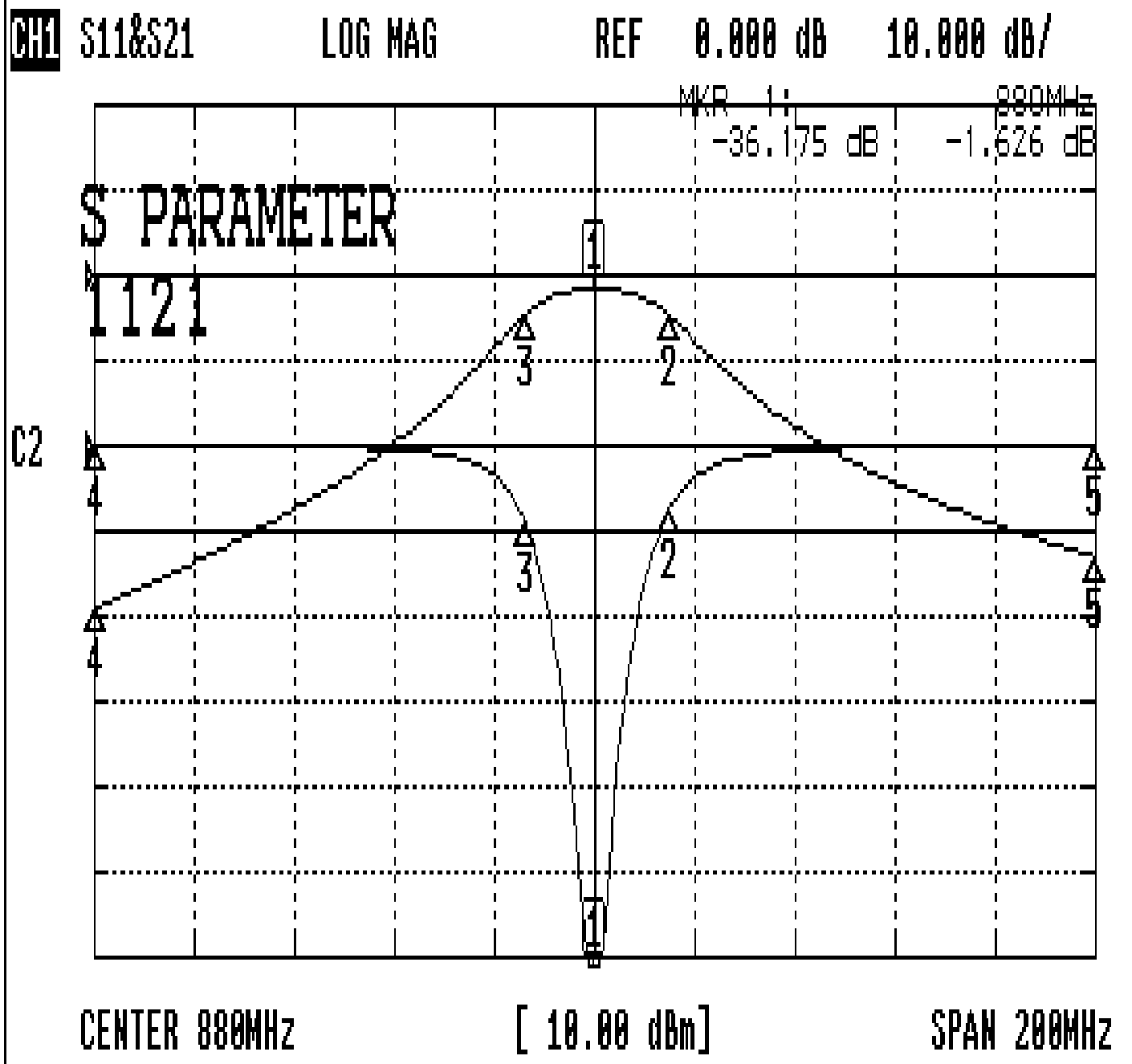


Approval	Supervisor	Designer	Aperture size
C.Y. Chang	C.S. Chang	W.W. Wang	7H2(4*5.5)(5.60)F 7H046RB4

TEMWELL CORPORATION

# Performance-TD67747B-880M

## 20507115DC



### CH1 MARKER LIST

1:	880.000MHz	-36.175 dB	-1.626 dB
2:	895.166MHz	-3.692 dB	-4.885 dB
3:	866.333MHz	-4.541 dB	-4.571 dB
4:	780.000MHz	-0.010 dB	-39.091 dB
5:	980.000MHz	0.032 dB	-32.931 dB