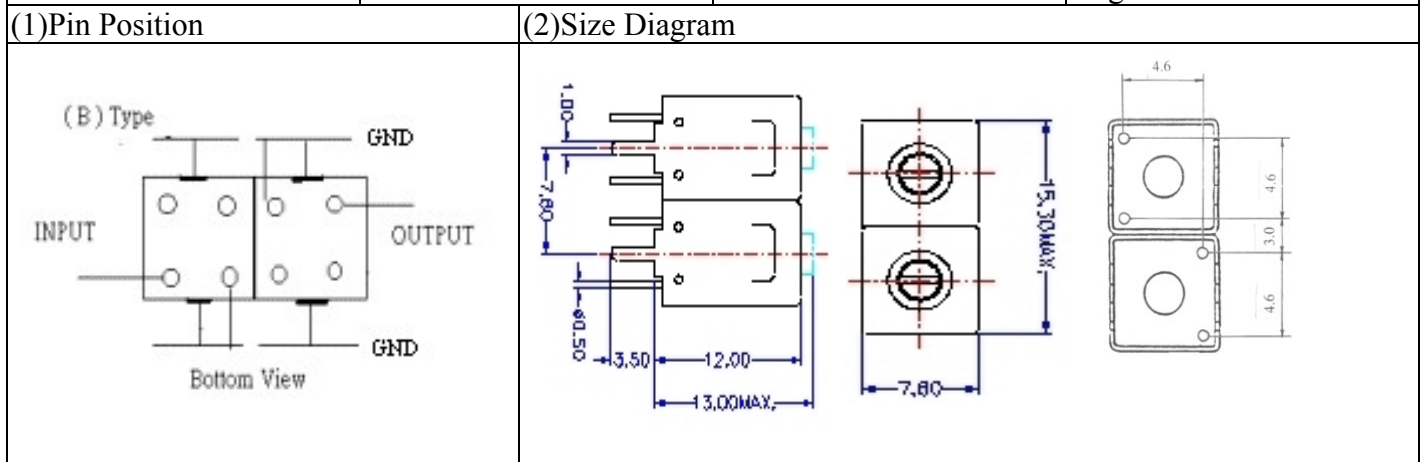


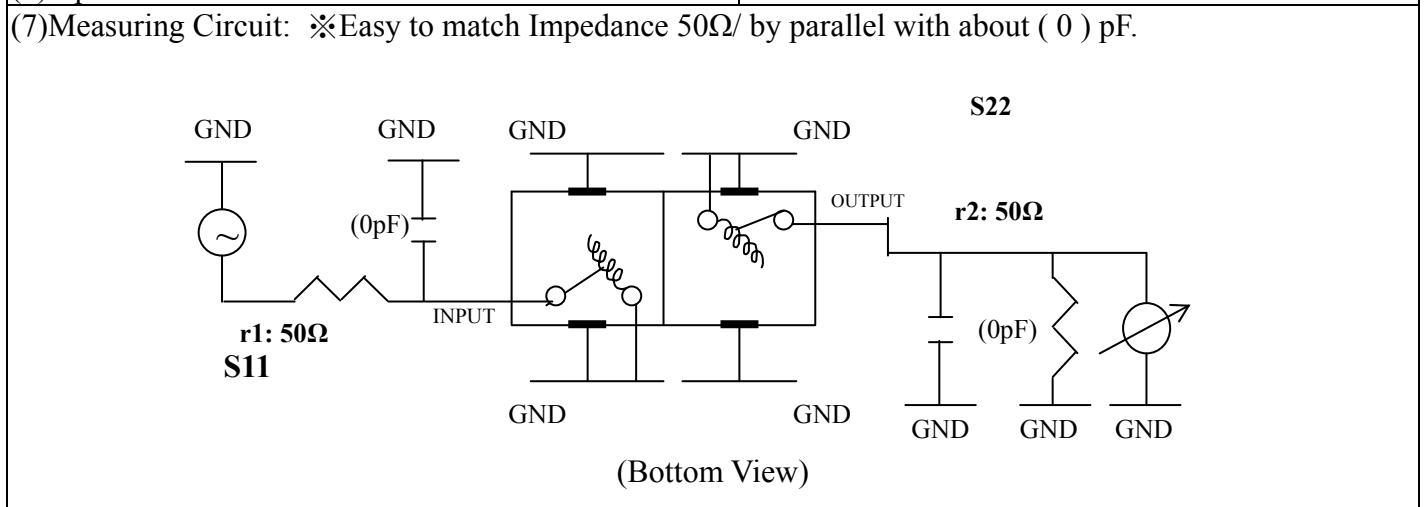
VHF UHF Helical Filter Specification Sheet

Customer Name		Temwell's Part No.	TD67746B-845M
Approval No. /dated	20507114APR	Temwell's Print Name	67746B 845M
Work Instruction No.	20507114DC	Date	Aug.12.2005



(3) Electric Character					
Item		Specify		Performance	
Center Freq.(Fo) +/- 0.5 %		845 MHz		845 MHz	
Tunable Range		845±10 MHz		845±10 MHz	
Insertion Loss		Typ. 2.0 dB		1.36 dB	
-3 dB Bandwidth		Typ. 25 MHz		29.8 MHz	
Sensitivity (Attenuation)	Fo - 100 MHz	Typ. 34 dBc		37 dBc	
	Fo + 100 MHz	Typ. 27 dBc		30 dBc	
	Fo - ()MHz	Typ. dBc		dBc	
	Fo + ()MHz	Typ. dBc		45.6 dBc	
Return Loss		Min. 12 dB		dB	
Ripple		< 1 dB		dB	
Impedance		In / Out : 50 Ω		In / Out : 50 Ω	
(4) Torque for Tuning Screw		> 100gf · cm			

(5) Temperature Condition:	
Operating Temperature	0°C ~ +60°C
Storage Temperature	-20°C ~ +70°C
(6) Input Power	> 1Watt

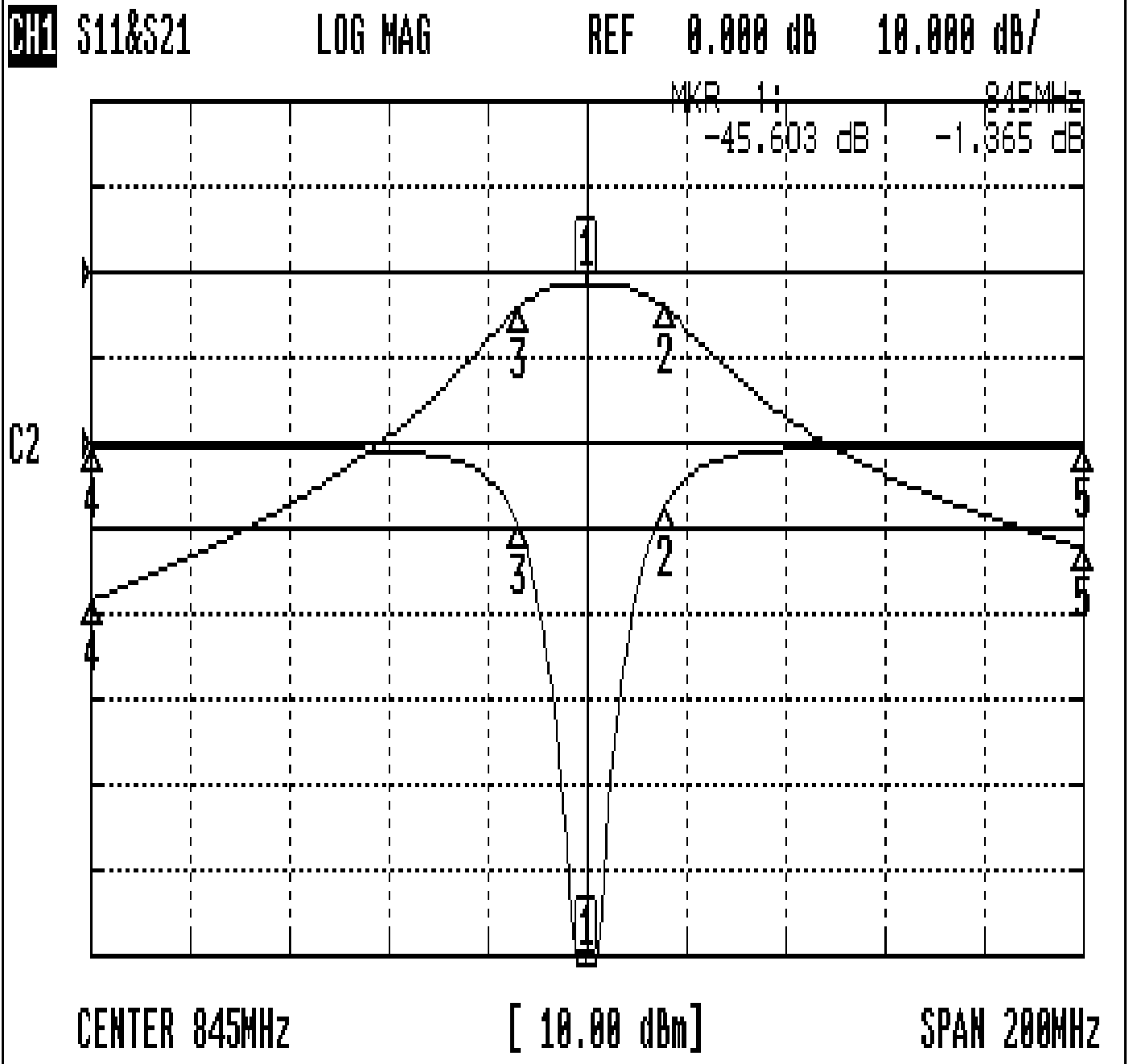


Approval	Supervisor	Designer	Aperture size
C.Y. Chang	C.S. Chang	W.W. Wang	7H2(4*5.35)(5.40)F 7H046RB4

TEMWELL CORPORATION

Performance-TD67746B-845M

20507114DC



CH1 MARKER LIST

1:	845.000MHz	-45.603 dB	-1.365 dB
2:	860.833MHz	-3.688 dB	-4.317 dB
3:	831.000MHz	-4.688 dB	-4.343 dB
4:	745.000MHz	-0.284 dB	-38.439 dB
5:	945.000MHz	-0.168 dB	-32.275 dB