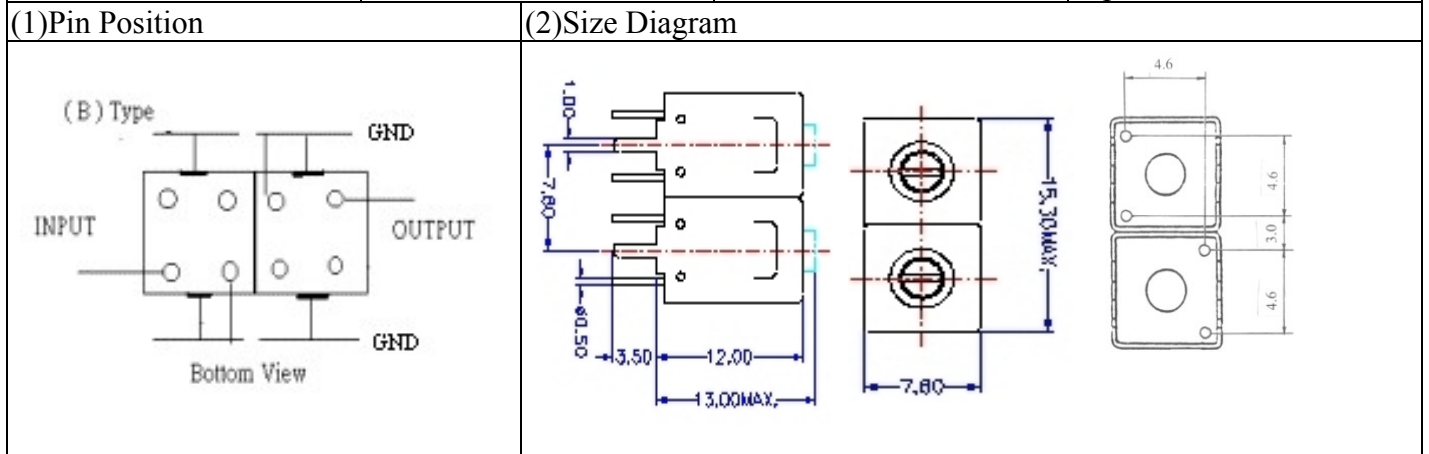


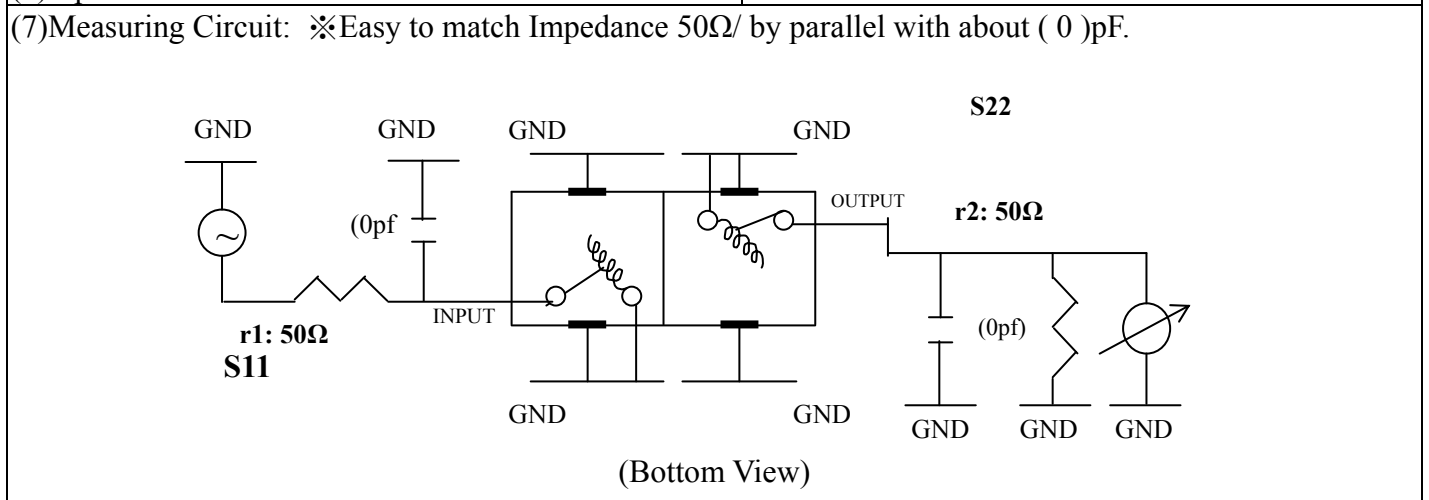
VHF UHF Helical Filter Specification Sheet

Customer Name		Temwell's Part No.	TD67744B-775M
Approval No. /dated	20507112APR	Temwell's Print Name	67744B 775M
Work Instruction No.	20507112DC	Date	Sep.16.2005



(3) Electric Character			
Item	Specify	Performance	
Center Freq.(Fo) +/- 0.5 %	775 MHz	775 MHz	
Tunable Range	775±5 MHz	775±5 MHz	
Insertion Loss	Typ. 2.5 dB	1.08 dB	
-3 dB Bandwidth	Typ. 25 MHz	31.3 MHz	
Sensitivity (Attenuation)	Fo - 100MHz	Typ. 39 dBc	42 dBc
	Fo +100MHz	Typ. 26 dBc	29 dBc
	Fo - ()MHz	Typ. dBc	dBc
	Fo +()MHz	Typ. dBc	dBc
Return Loss	Min. 12 dB	35.2 dB	
Ripple	< 1 dB	dB	
Impedance	In / Out : 50 Ω	In / Out : 50 Ω	
(4) Torque for Tuning Screw	> 100gf · cm		

(5) Temperature Condition:	
Operating Temperature	0°C ~ +60°C
Storage Temperature	-20°C ~ +70°C
(6) Input Power	> 1Watt

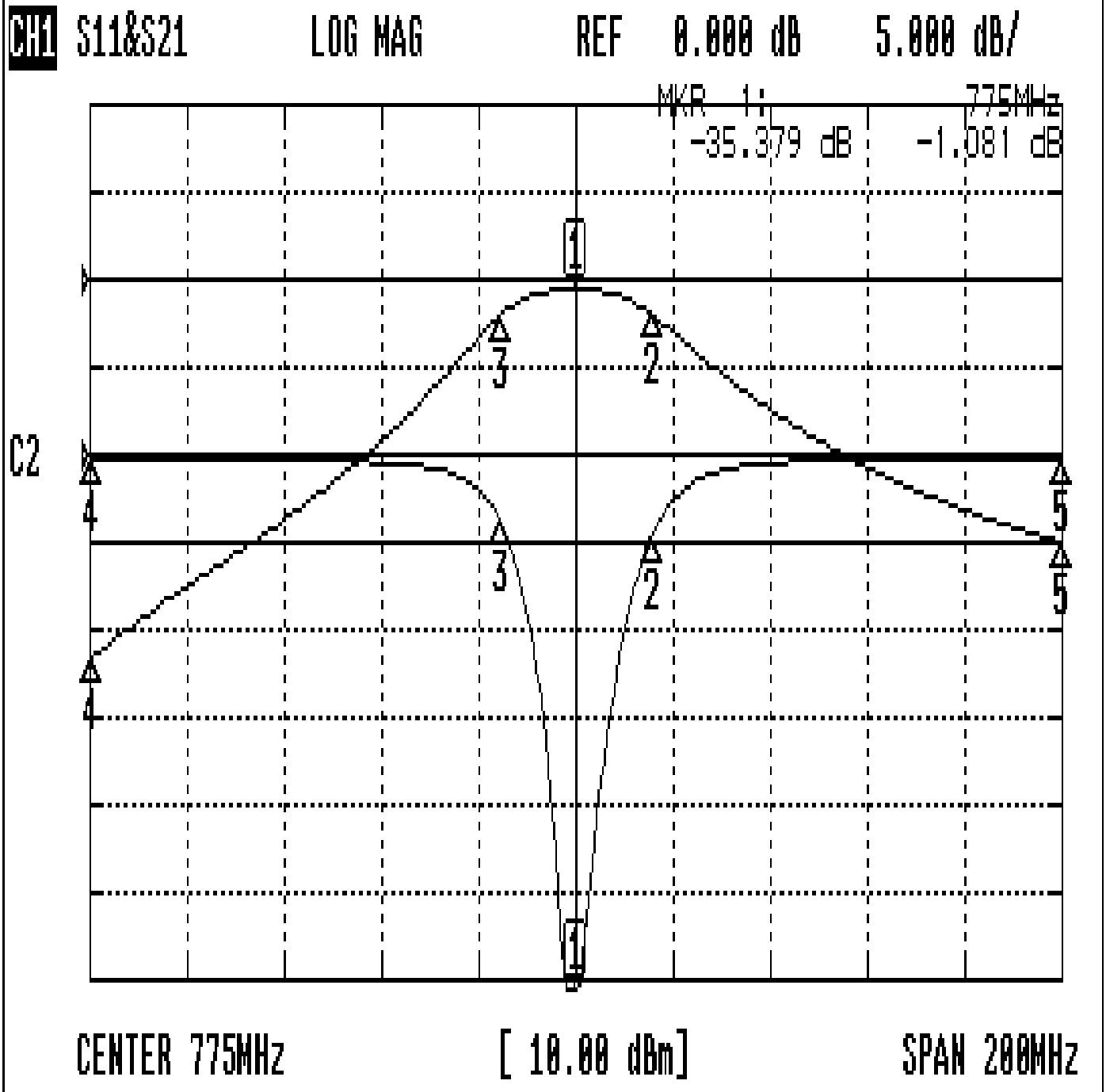


Approval	Supervisor	Designer	Aperture size
C.Y. Chang	C.S. Chang	P.H. Chiang	7H2(4*6.5)(6.59) 7H046RB4

TEMWELL CORPORATION

Performance-TD67744B-775M

20507112DC



CH1 MARKER LIST

1:	775.000MHz	-35.285 dB	-1.080 dB
2:	790.833MHz	-4.546 dB	-4.058 dB
3:	759.500MHz	-3.774 dB	-4.051 dB
4:	675.000MHz	-0.183 dB	-43.370 dB
5:	875.000MHz	-0.229 dB	-30.005 dB