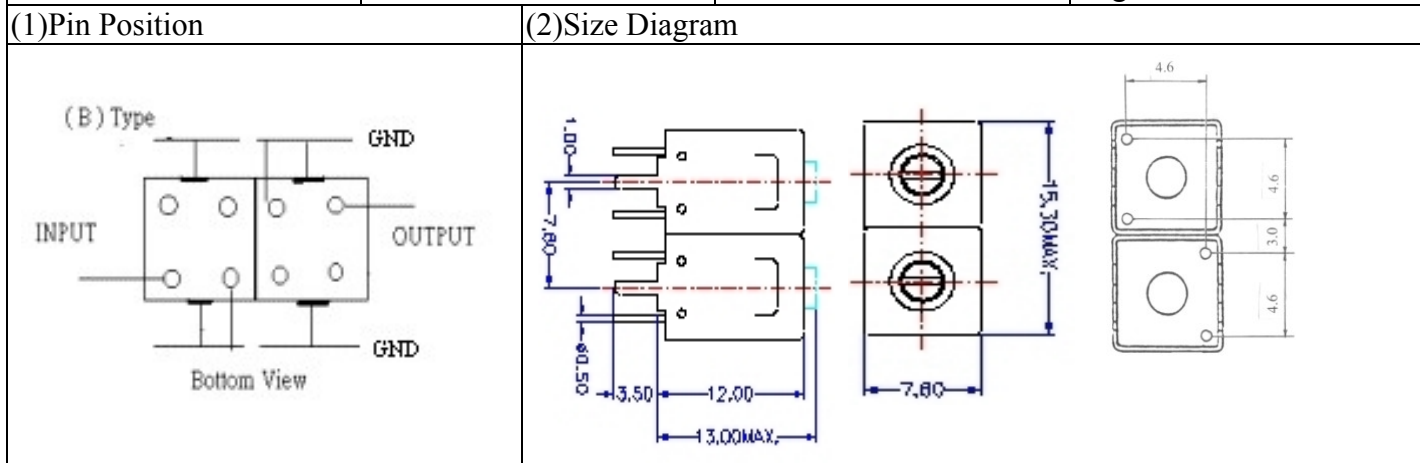


VHF UHF Helical Filter Specification Sheet

Customer Name		Temwell's Part No.	TD67741B-1275M
Approval No. /dated	20507109APR	Temwell's print Name	
Work Instruction No.	20507109DC	Date	Aug.29.2005

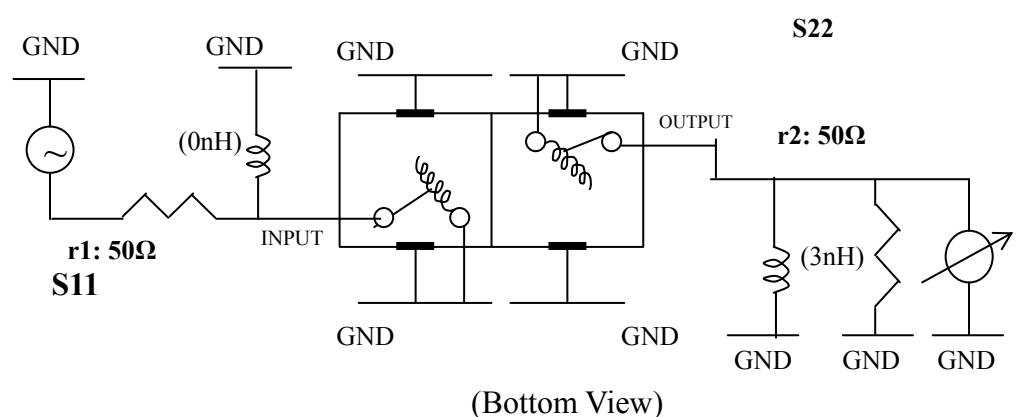


(3) Electric Character			
Item	Specify	Performance	
Center Freq.(Fo) +/- 0.5 %	1275 MHz	1275 MHz	
Tunable Range	1275±10 MHz	1275±10 MHz	
Insertion Loss	Typ. 4.0 dB	2.95 dB	
-3 dB Bandwidth	Typ. 23 MHz	29.7 MHz	
Sensitivity (Attenuation)	Fo - 100 MHz	Typ. 30 dBc	33 dBc
	Fo + 100 MHz	Typ. 25 dBc	28 dBc
	Fo - ()MHz	Typ. dBc	dBc
	Fo + ()MHz	Typ. dBc	dBc
Return Loss	Min. 12 dB	30.3 dB	
Ripple	< 1 dB	dB	
Impedance	In / Out : 50 Ω	In / Out : 50 Ω	
(4) Torque for Tuning Screw	> 100gf · cm		

(5) Temperature Condition:	
Operating Temperature	0°C ~ +60°C
Storage Temperature	-20°C ~ +70°C

(6) Input Power	> 1Watt
-----------------	---------

(7) Measuring Circuit: ※Easy to match Impedance 50Ω by parallel with about (0) nH / .(3)nH

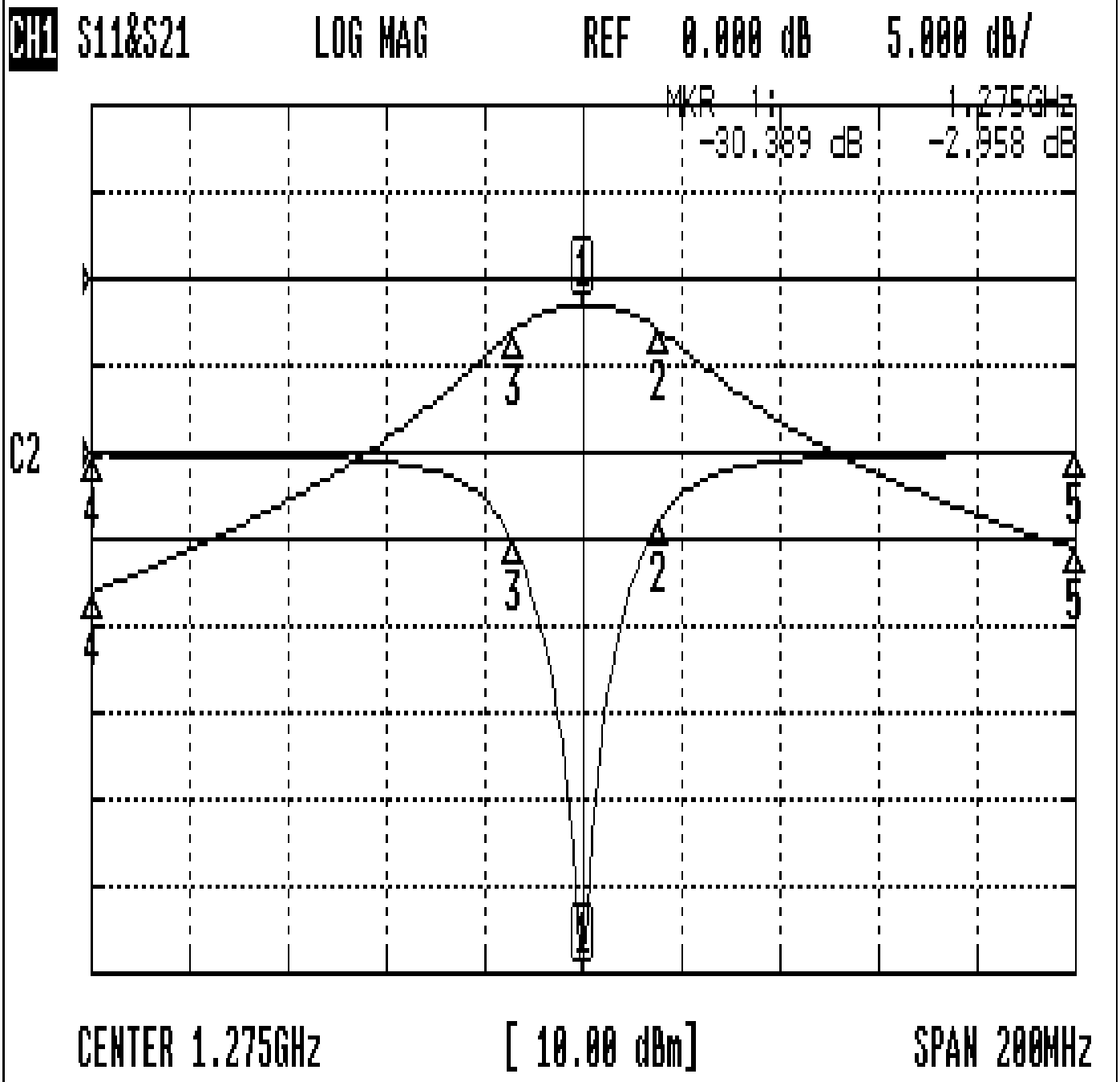


Approval	Supervisor	Designer	Aperture size
C.Y. Chang	C.S. Chang	C.S. Chang	7H2S(4*4.5) 7H046RB4

TEMWELL CORPORATION

Performance-TD67741B-1275M

20507109DC



CH1 MARKER LIST

1:	1.275 000GHz	-30.353 dB	-2.956 dB
2:	1.290 500GHz	-4.021 dB	-5.962 dB
3:	1.260 833GHz	-5.160 dB	-5.926 dB
4:	1.175 000GHz	-0.135 dB	-36.196 dB
5:	1.375 000GHz	-0.052 dB	-31.102 dB