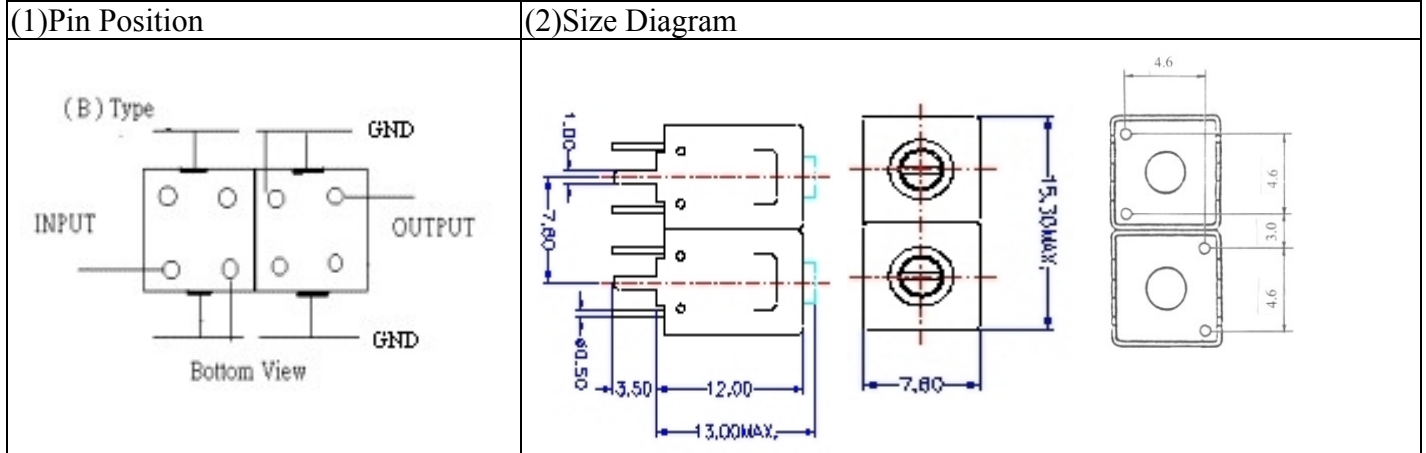


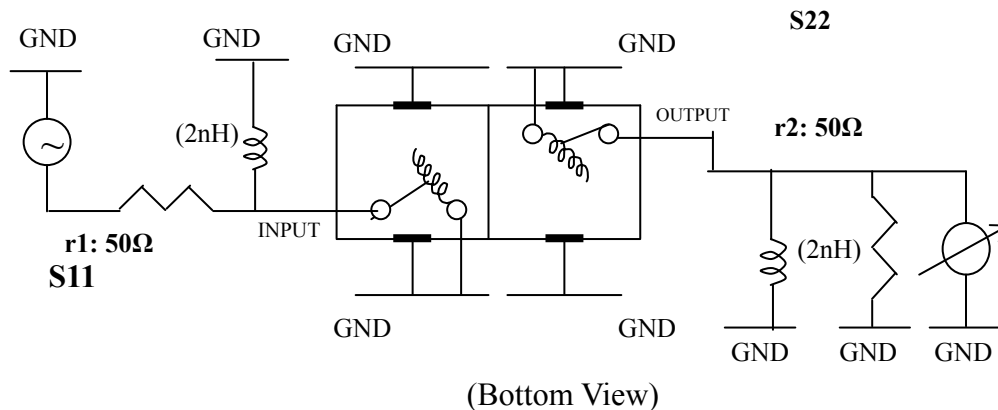
VHF UHF Helical Filter Specification Sheet

Customer Name		Temwell's Part No.	TD67738B-988M-15M
Approval No. /dated	20507106APR	Temwell's print Name	
Work Instruction No.	20507106DC	Date	Aug.17.2005



(3) Electric Character			
Item		Specify	Performance
Center Freq.(Fo) +/- 0.5 %		988 MHz	988 MHz
Tunable Range		988±10 MHz	988±10 MHz
Insertion Loss		Typ. 5.0 dB	4.13 dB
-3 dB Bandwidth		Typ. 15 MHz	25.0 MHz
Sensitivity (Attenuation)	Fo - 50 MHz	Typ. 18 dBc	21 dBc
	Fo + 50 MHz	Typ. 16 dBc	19 dBc
	Fo - ()MHz	Typ. dBc	dBc
	Fo + ()MHz	Typ. dBc	dBc
Return Loss		Min. 12 dB	16.9 dB
Ripple		< 1 dB	dB
Impedance		In / Out : 50 Ω	In / Out : 50 Ω
(4) Torque for Tuning Screw		> 100gf · cm	
(5) Temperature Condition:			
Operating Temperature		0°C ~ +60°C	
Storage Temperature		-20°C ~ +70°C	
(6) Input Power		> 1Watt	

(7) Measuring Circuit: ※Easy to match Impedance 50Ω by parallel with about (2) nH / .(2)nH

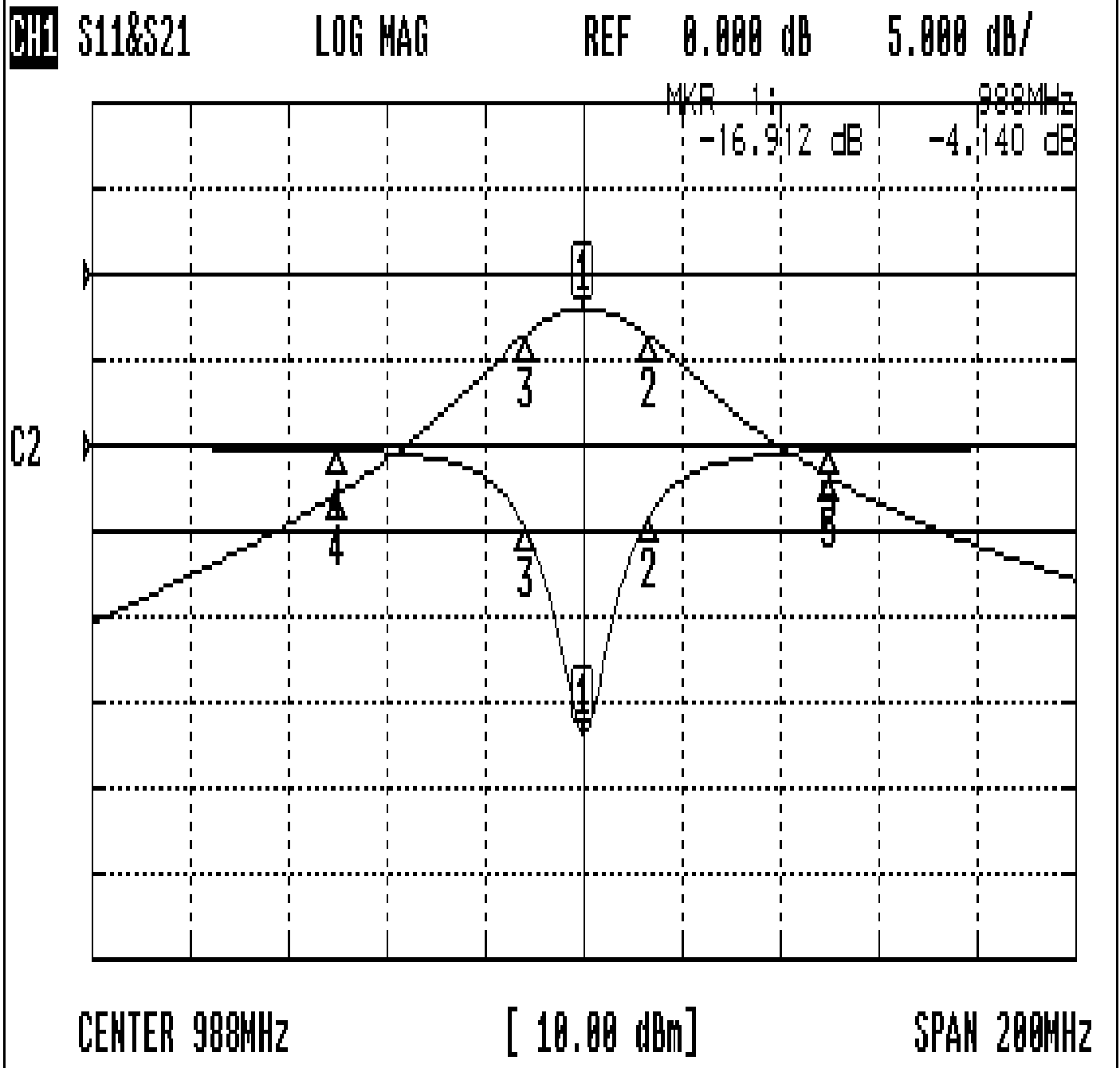


Approval	Supervisor	Designer	Aperture size
C.Y. Chang	C.S. Chang	C.S. Chang	7H2S(4*5.5) 7H046RB4

TEMWELL CORPORATION

Performance-TD67738B-988M-15M

20507106DC



CH1 MARKER LIST

1:	988.000MHz	-16.913 dB	-4.139 dB
2:	1.001 000GHz	-4.318 dB	-7.143 dB
3:	976.000MHz	-4.648 dB	-7.110 dB
4:	938.000MHz	-0.263 dB	-25.636 dB
5:	1.038 000GHz	-0.295 dB	-23.701 dB