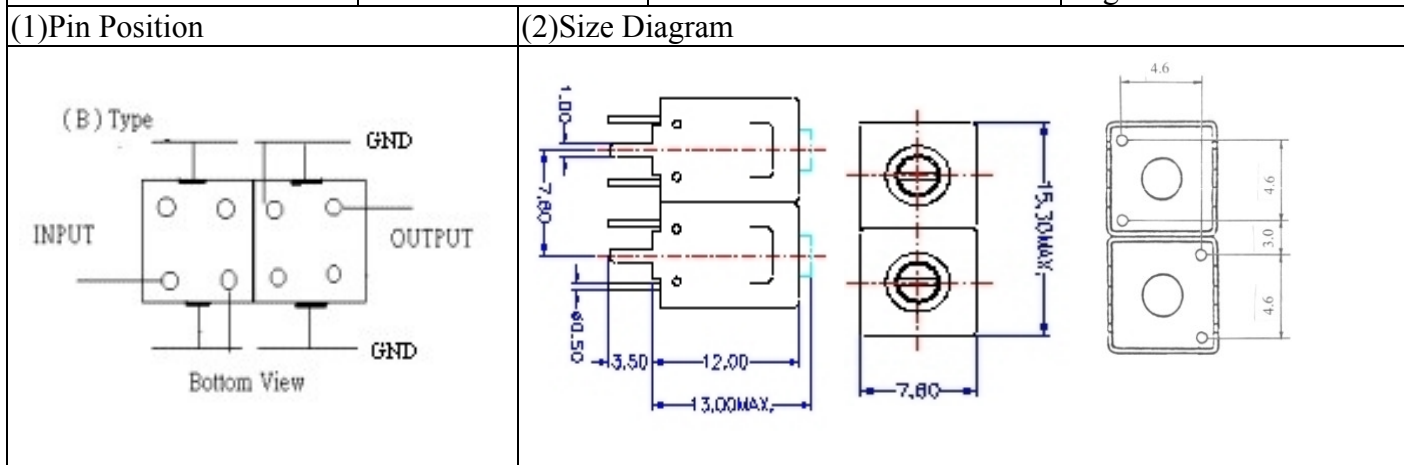


# VHF UHF Helical Filter Specification Sheet

Customer Name		Temwell's Part No.	TD67737B-725M
Approval No. /dated	20507105APR	Acceptable Specify Fo. Range	701~750MHz
Work Instruction No.	20507105DC	Date	Aug.02.2005



(3) Electric Character

Item	Specify	Performance	
Center Freq.(Fo) +/- 0.5 %	725 MHz	725 MHz	
Tunable Range	725±5 MHz	725±5 MHz	
Insertion Loss	Typ. 3.0 dB	1.98 dB	
-3 dB Bandwidth	Typ. 17 MHz	21.1 MHz	
Sensitivity (Attenuation)	Fo - 50 MHz	Typ. 24 dBc	27 dBc
	Fo + 50 MHz	Typ. 21 dBc	24 dBc
	Fo - ( )MHz	Typ. dBc	dBc
	Fo + ( )MHz	Typ. dBc	dBc
Return Loss	Min. 12 dB	32.8 dB	
Ripple	< 1 dB	dB	
Impedance	In / Out : 50 Ω	In / Out : 50 Ω	

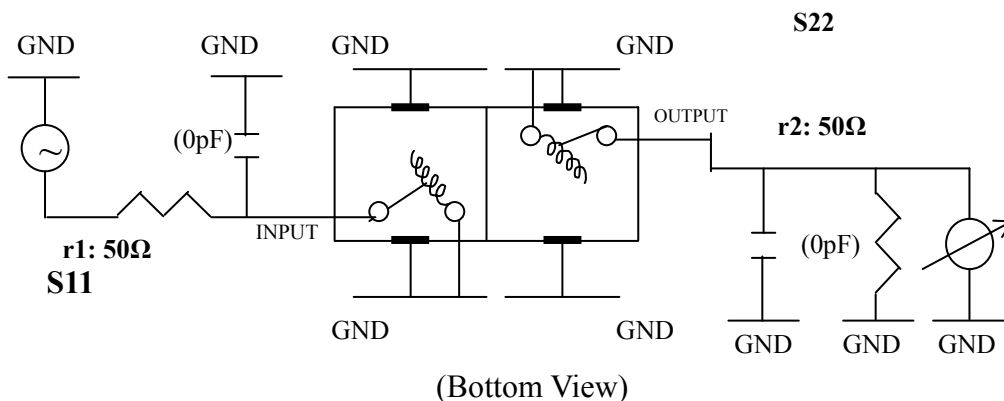
(4) Torque for Tuning Screw > 100gf · cm

(5) Temperature Condition:

Operating Temperature	0°C ~ +60°C
Storage Temperature	-20°C ~ +70°C

(6) Input Power > 1Watt

(7) Measuring Circuit: ※Easy to match Impedance 50Ω/75Ω by parallel with about ( 0 ) pF.

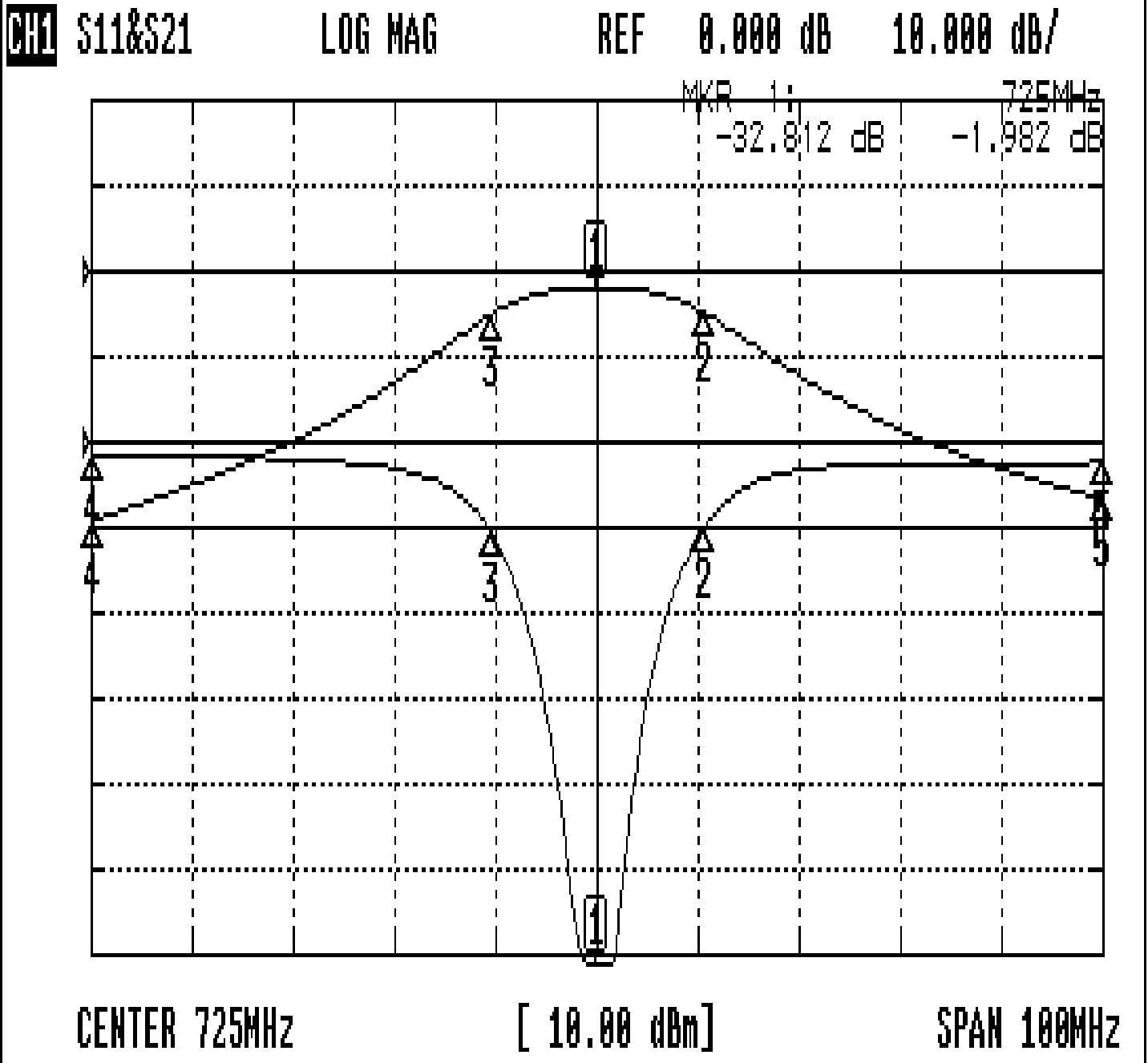


Approval	Supervisor	Designer	Aperture size
C.Y. Chang	C.S. Chang	W.W. Wang	7H2S(4*4.65)F 7H046RB4

TEMWELL CORPORATION

# Performance-TD67737B-725M

## 20507105DC



### CH1 MARKER LIST

1:	725.000MHz	-32.812 dB	-1.982 dB
2:	735.666MHz	-4.908 dB	-4.924 dB
3:	714.583MHz	-5.234 dB	-5.059 dB
4:	675.000MHz	-0.682 dB	-29.264 dB
5:	775.000MHz	-1.160 dB	-26.534 dB