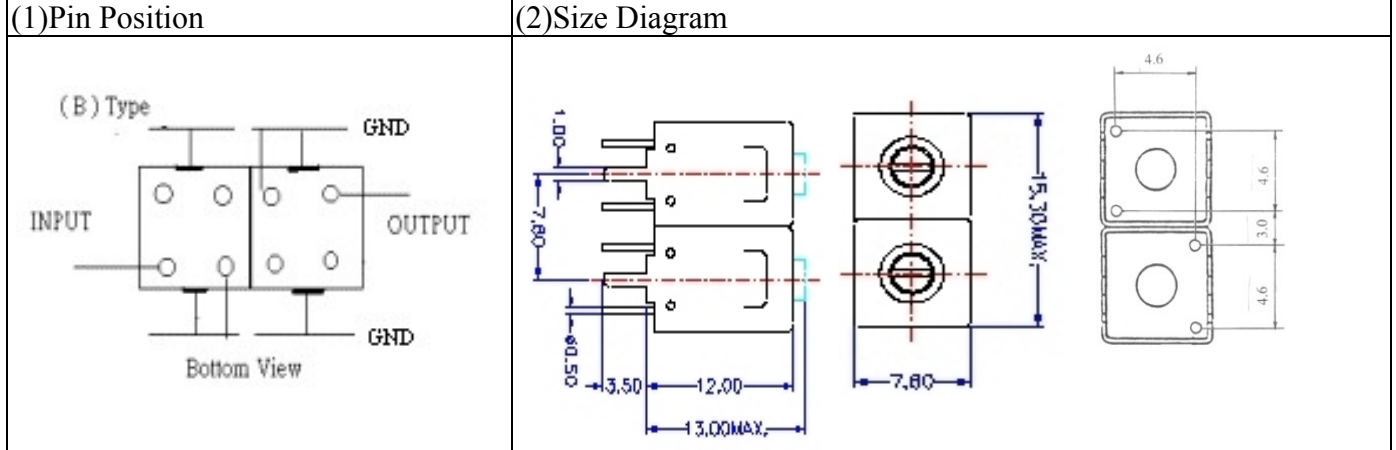


# VHF UHF Helical Filter Specification Sheet

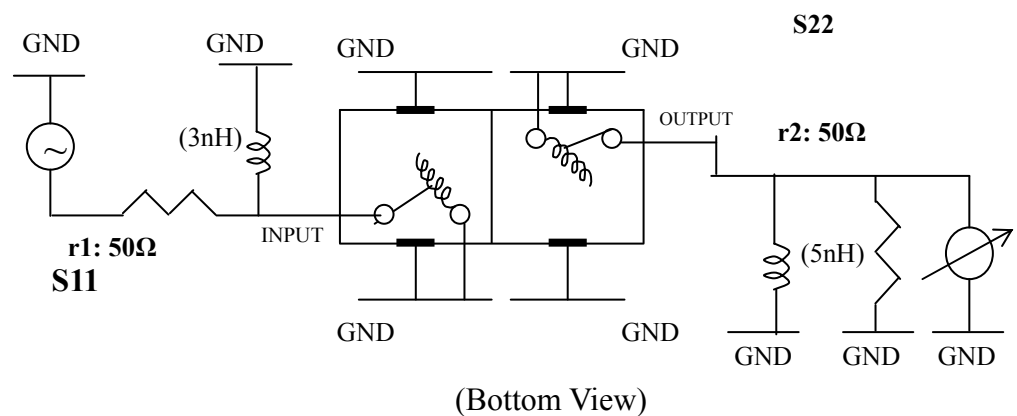
Customer Name		Temwell's Part No.	TD67730B-940M
Approval No. /dated	20507098APR	Temwell's print Name	
Work Instruction No.	20507098DC	Date	Aug.08.2005



(3) Electric Character			
Item		Specify	Performance
Center Freq.(Fo ) +/- 0.5 %		940 MHz	940 MHz
Tunable Range		940±10 MHz	940±10 MHz
Insertion Loss		Typ. 4.0 dB	2.95 dB
-3 dB Bandwidth		Typ. 11 MHz	15.7 MHz
Sensitivity (Attenuation)	Fo - 50 MHz	Typ. 27 dBc	30 dBc
	Fo + 50 MHz	Typ. 25 dBc	28 dBc
	Fo - ( )MHz	Typ. dBc	dBc
	Fo +( )MHz	Typ. dBc	dBc
Return Loss		Min. 12 dB	16.4 dB
Ripple		< 1 dB	dB
Impedance		In / Out : 50 Ω	In / Out : 50 Ω

(4) Torque for Tuning Screw	> 100gf · cm
(5) Temperature Condition:	
Operating Temperature	0°C ~ +60°C
Storage Temperature	-20°C ~ +70°C
(6) Input Power	> 1Watt

(7) Measuring Circuit: ※Easy to match Impedance 50Ω by parallel with about (3) nH / .(5)nH

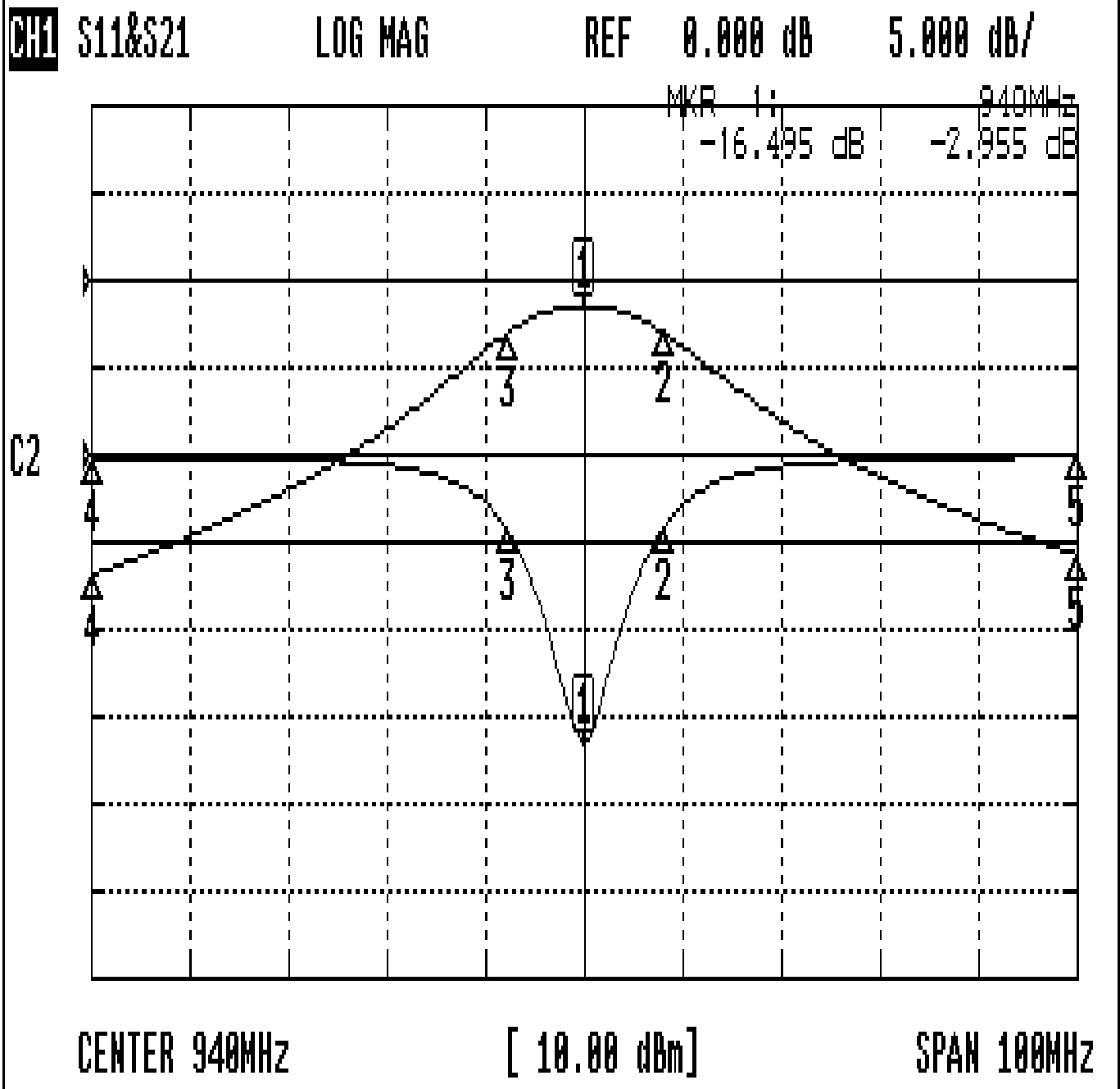


Approval	Supervisor	Designer	Aperture size
C.Y. Chang	C.S. Chang	C.S. Chang	7H2S(4*4.65) 7H046RB4

TEMWELL CORPORATION

# Performance-TD67730B-940M

## 20507098DC



### CH1 MARKER LIST

1:	940.000MHz	-16.495 dB	-2.955 dB
2:	948.000MHz	-4.227 dB	-5.923 dB
3:	932.333MHz	-4.392 dB	-5.958 dB
4:	890.000MHz	-0.135 dB	-33.843 dB
5:	990.000MHz	-0.098 dB	-31.436 dB