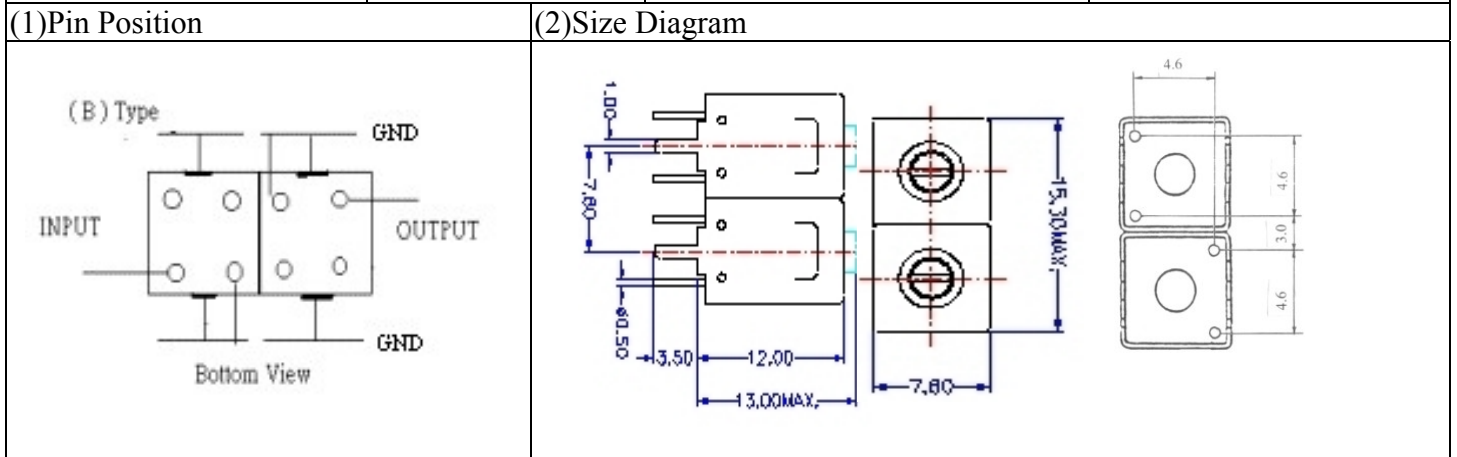


VHF UHF Helical Filter Specification Sheet

Customer Name		Temwell's Part No.	TD67720B-260M
Approval No. /dated	20507088APR	Acceptable Specify Fo. Range	246~275MHz
Work Instruction No.	20507088DC	Date	Aug.09.2005



(3)Electric Character		Item	Specify	Performance
Center Freq.(Fo) +/- 0.5 %			260 MHz	260 MHz
Tunable Range			260±4 MHz	260±4 MHz
Insertion Loss		Typ.	2.0 dB	0.75 dB
-3 dB Bandwidth		Typ.	40 MHz	45.8 MHz
Sensitivity (Attenuation)	Fo - 100 MHz	Typ.	19 dBc	22 dBc
	Fo + 100 MHz	Typ.	20 dBc	23 dBc
	Fo - ()MHz	Typ.	dBc	dBc
	Fo +()MHz	Typ.	dBc	dBc
Return Loss		Min.	12 dB	16.5 dB
Ripple			< 1 dB	dB
Impedance			In / Out : 50 Ω	In / Out : 50 Ω

(4)Torque for Tuning Screw > 100gf · cm

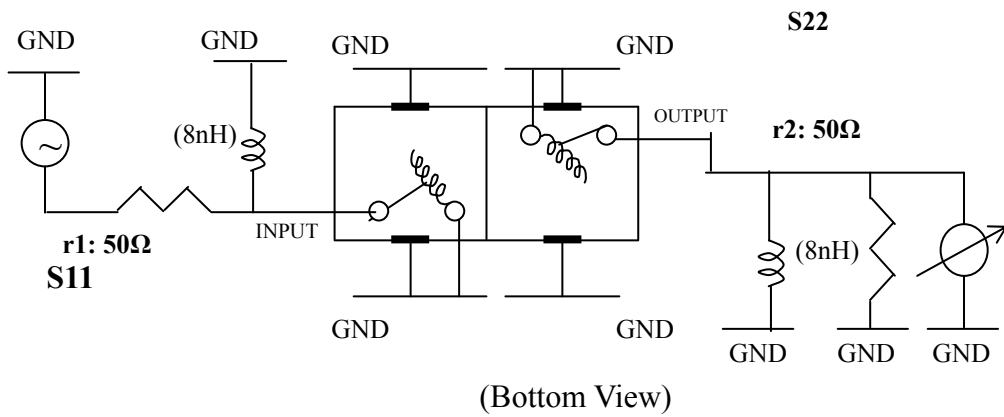
(5)Temperature Condition:

Operating Temperature 0°C ~ +60°C

Storage Temperature -20°C ~ +70°C

(6)Input Power > 1Watt

(7)Measuring Circuit: ※Easy to match Impedance 50Ω by parallel with about (8) nH



Approval	Supervisor	Designer	Aperture size
C.Y. Chang	C.S. Chang	C.S. Chang	7H2S(4*6.5) 7H046RB5.5

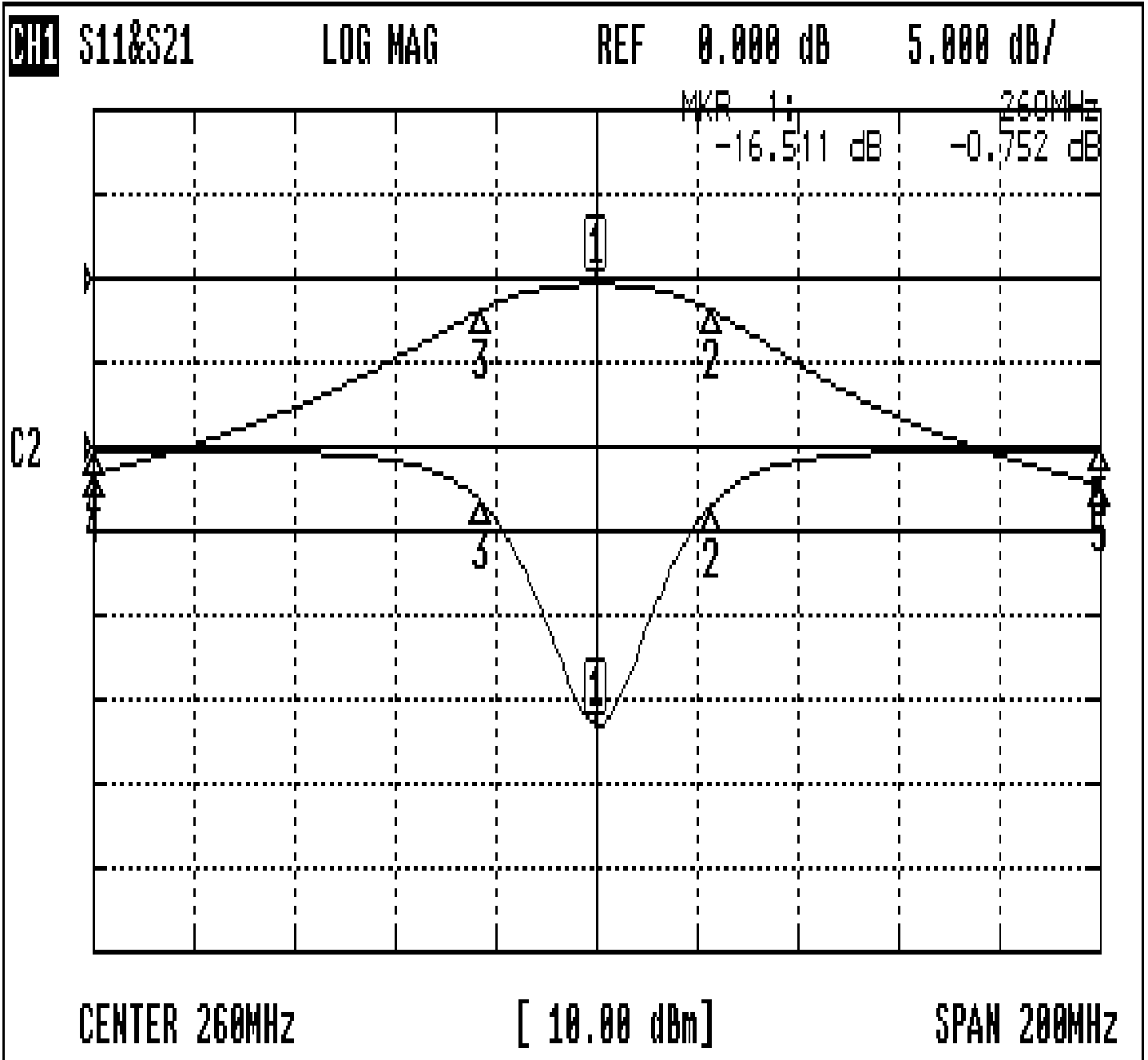
TEMWELL CORPORATION

TEMWELL

Form10-7H2B Vision D

Performance-TD67720B-260M

20507088DC



CH1 MARKER LIST

1:	260.000MHz	-16.511 dB	-0.752 dB
2:	282.833MHz	-3.446 dB	-3.748 dB
3:	237.000MHz	-3.267 dB	-3.731 dB
4:	160.000MHz	-0.154 dB	-23.335 dB
5:	360.000MHz	-0.131 dB	-24.382 dB