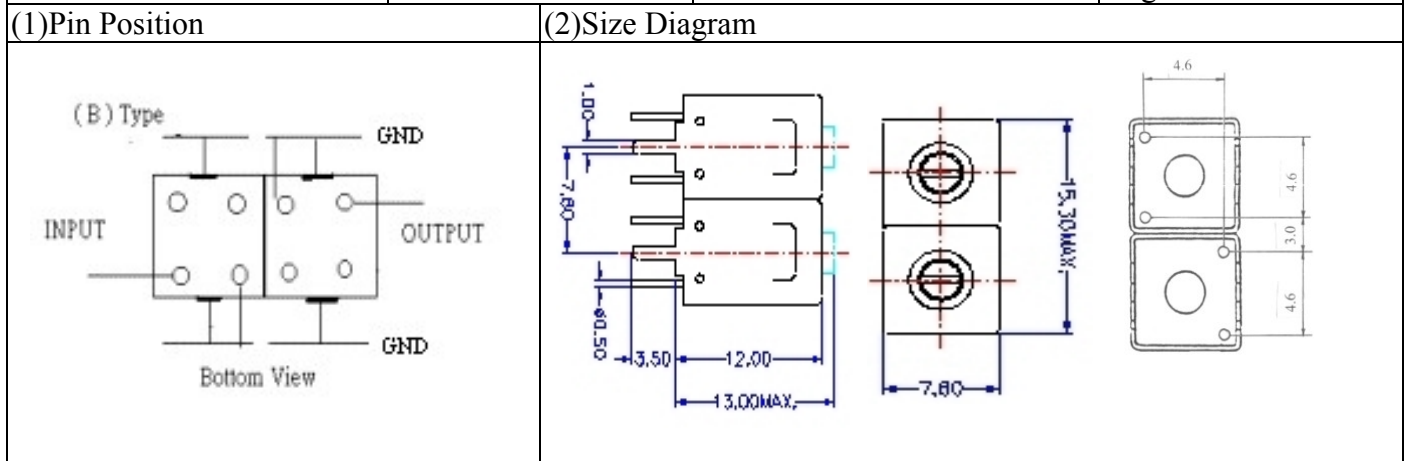


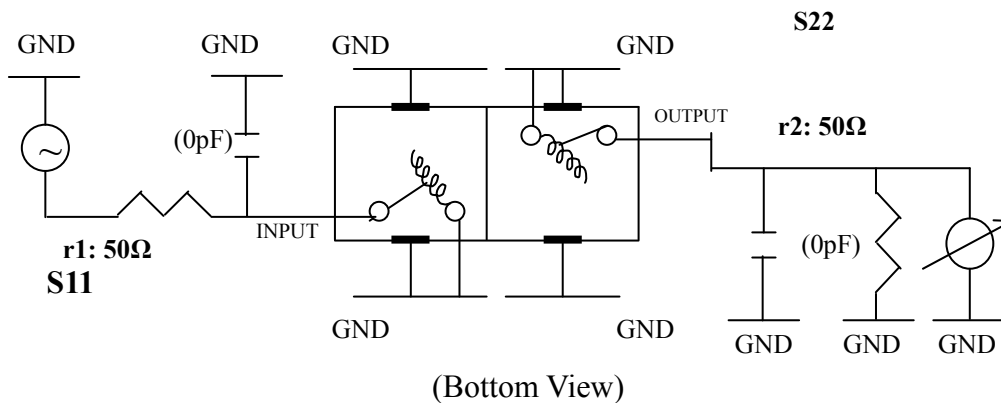
# VHF UHF Helical Filter Specification Sheet

Customer Name		Temwell's Part No.	TD67718B-208M
Approval No. /dated	20507086APR	Temwell's Print name	196~220M
Work Instruction No.	20507086DC	Date	Aug.01.2006



(3) Electric Charasteric			
Item		Specify	Performance
Center Freq.(Fo ) +/- 0.5 %		208 MHz	208 MHz
Tunable Range		208±4 MHz	208±4 MHz
Insertion Loss		Typ. 2.0 dB	0.73 dB
-3 dB Bandwidth		Typ. 40 MHz	47.5 MHz
Sensitivity (Attenuation)	Fo - 100 MHz	Typ. 17 dBc	20 dBc
	Fo + 100 MHz	Typ. 22 dBc	25 dBc
	Fo - ( )MHz	Typ. dBc	dBc
	Fo +( )MHz	Typ. dBc	dBc
Return Loss		Min. 12 dB	32.0 dB
Ripple		< 1 dB	dB
Impedance		In / Out : 50 Ω	In / Out : 50 Ω
(4) Torque for Tuning Screw		> 100gf · cm	
(5) Temperature Condition:			
Operating Temperature		0°C ~ +60°C	
Storage Temperature		-20°C ~ +70°C	
(6) Input Power		> 1 Watt	

(7) Measuring Circuit: ※Easy to match Impedance 50Ω/ by parallel with about ( 0 ) pF.

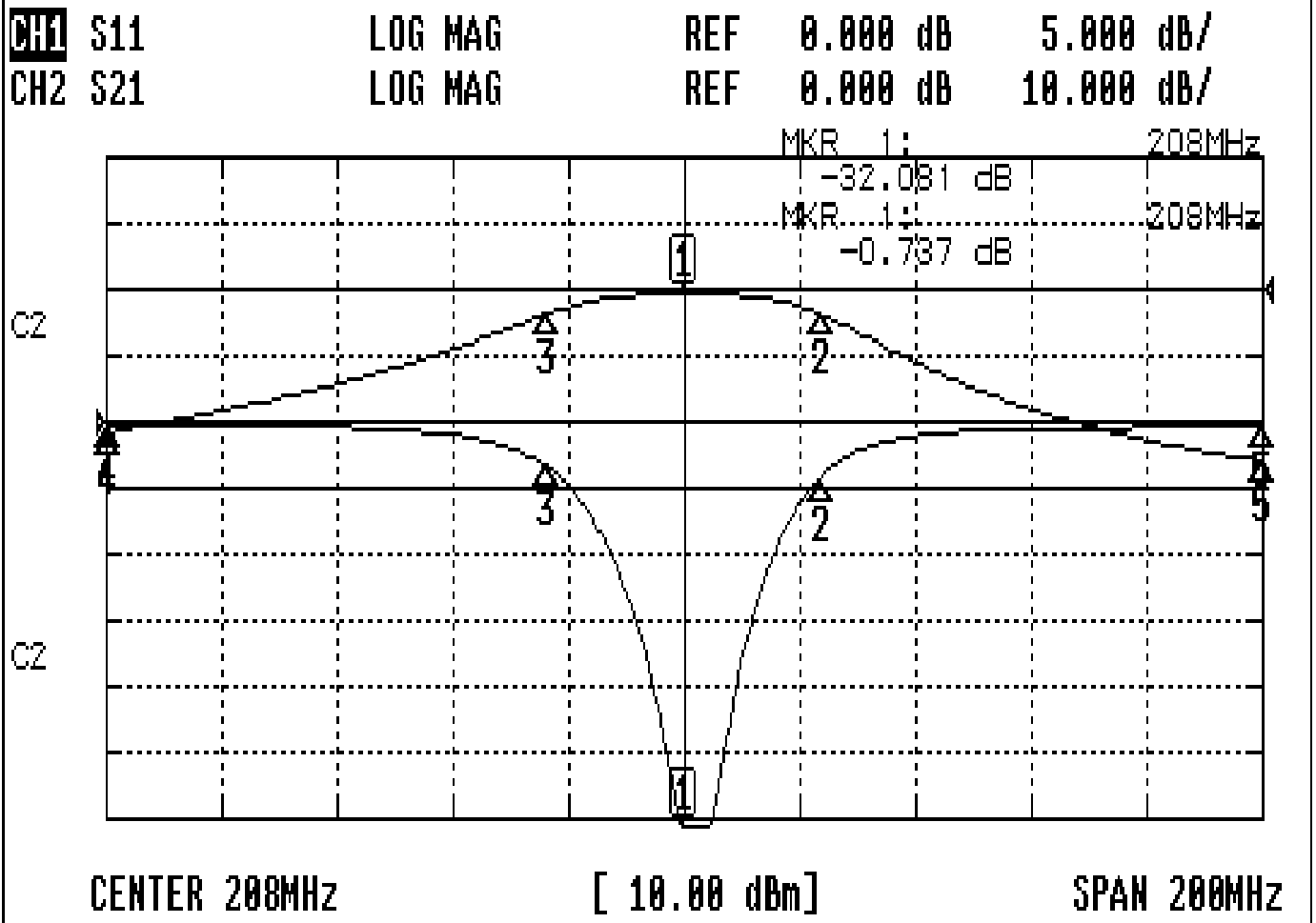


Approval	Supervisor	Designer	Aperture size
C.Y.Chang	C.S.Chang	W.W.Wang	7H2(4*6.5)F 7H00LB6

TEMWELL CORPORATION

# Performance-TD67718B-208M

## 20507086DC



### CH1 MARKER LIST

1:	208.000MHz	-32.081	dB
2:	231.666MHz	-4.154	dB
3:	184.166MHz	-0.339	dB
4:	108.000MHz	-0.210	dB
5:	308.000MHz	-0.419	dB

### CH2 MARKER LIST

1:	208.000MHz	-0.737	dB
2:	231.666MHz	-0.754	dB
3:	184.166MHz	-0.739	dB
4:	108.000MHz	-21.627	dB
5:	308.000MHz	-25.735	dB