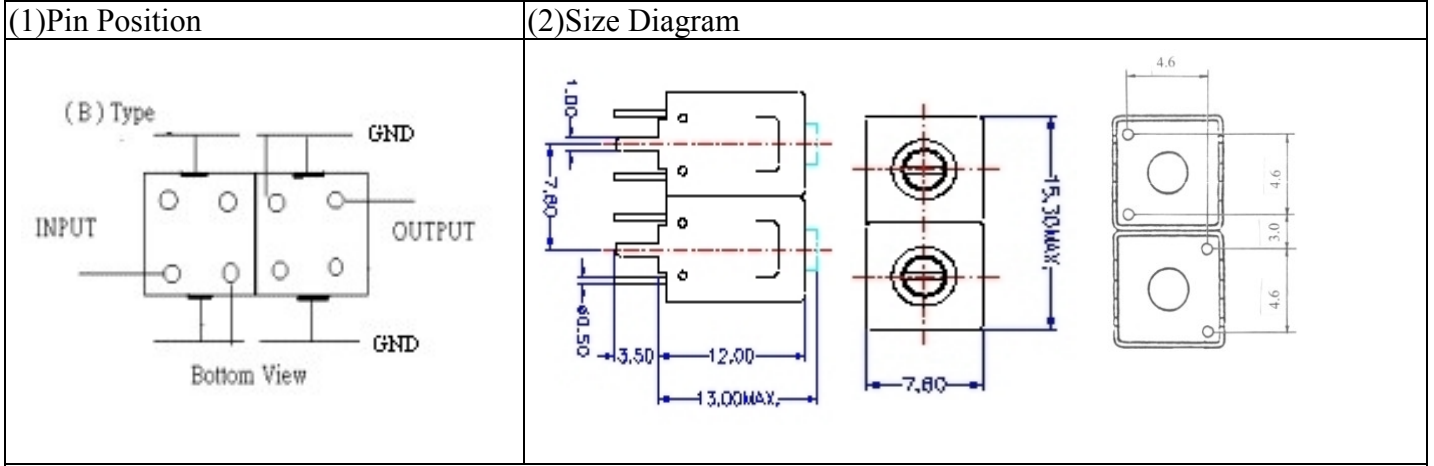


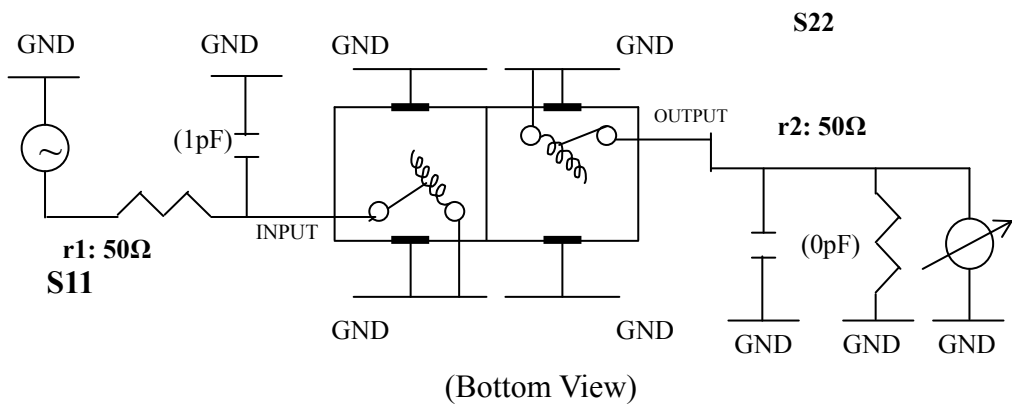
VHF UHF Helical Filter Specification Sheet

Customer Name		Temwell's Part No.	TD67716B-208M
Approval No. /dated	20507084APR	Acceptable Specify Fo. Range	196~220MHz
Work Instruction No.	20507084DC	Date	Aug.02.2005



(3) Electric Character			
Item	Specify	Performance	
Center Freq.(Fo) +/- 0.5 %	208 MHz	208 MHz	
Tunable Range	208±4 MHz	208±4 MHz	
Insertion Loss	Typ. 2.0 dB	0.72 dB	
-3 dB Bandwidth	Typ. 30 MHz	32.3 MHz	
Sensitivity (Attenuation)	Fo - 100 MHz	Typ. 26 dBc	29 dBc
	Fo + 100 MHz	Typ. 26 dBc	29 dBc
	Fo - ()MHz	Typ. dBc	dBc
	Fo +()MHz	Typ. dBc	dBc
Return Loss	Min. 12 dB	24.5 dB	
Ripple	< 1 dB	dB	
Impedance	In / Out : 50 Ω	In / Out : 50 Ω	
(4) Torque for Tuning Screw	> 100gf · cm		
(5) Temperature Condition:			
Operating Temperature	0°C ~ +60°C		
Storage Temperature	-20°C ~ +70°C		
(6) Input Power	> 1 Watt		

(7) Measuring Circuit: ※Easy to match Impedance 50Ω by parallel with about (1) pF./ (0pF)

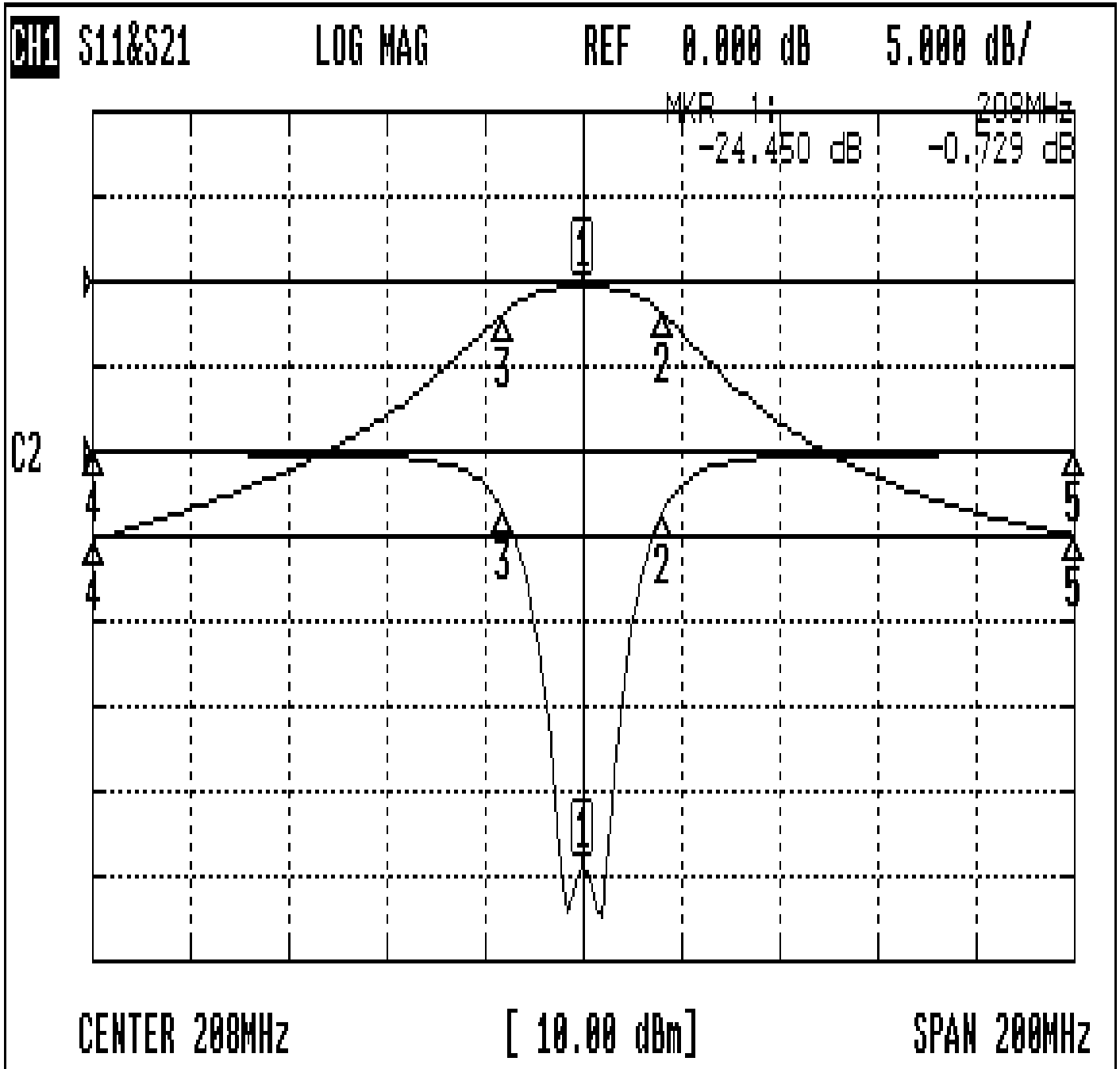


Approval	Supervisor	Designer	Aperture size
C.Y. Chang	C.S. Chang	C.S. Chang	7H2S(4*6.5) 7H046RB6.5

TEMWELL CORPORATION

Performance-TD67716B-208M-30M

20507084DC



CH1 MARKER LIST

1:	208.000MHz	-24.450 dB	-0.729 dB
2:	224.166MHz	-3.676 dB	-3.757 dB
3:	191.833MHz	-3.514 dB	-3.789 dB
4:	108.000MHz	-0.117 dB	-38.400 dB
5:	308.000MHz	-0.118 dB	-29.754 dB