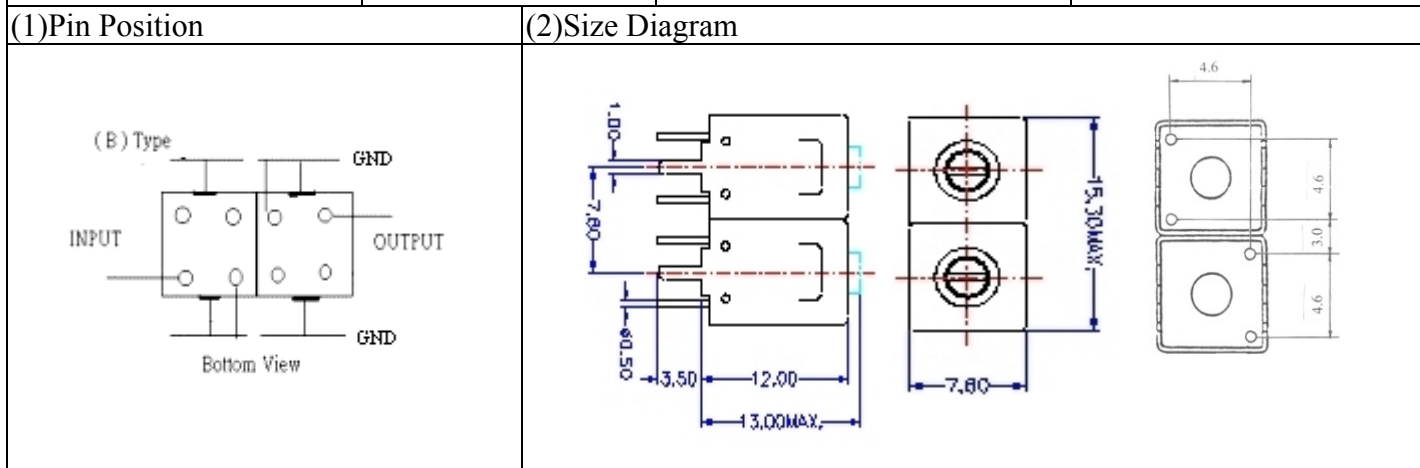


VHF UHF Helical Filter Specification Sheet

Customer Name		Temwell's Part No.	TD67706B-250M
Approval No. /dated	20507057APR	Acceptable Specify Fo. Range	246~275MHz
Work Instruction No.	20507057DC	Date	JuL.22.2005



(3) Electric Character

Item	Specify	Performance	
Center Freq.(Fo) +/- 0.5 %	250 MHz	250 MHz	
Tunable Range:	250±4 MHz	250±4 MHz	
Insertion Loss	Typ. 2.0 dB	0.75 dB	
-3 dB Bandwidth	Typ. 37 MHz	40 MHz	
Sensitivity (Attenuation)	Fo - 100 MHz	Typ. 20 dBc	23 dBc
	Fo + 100 MHz	Typ. 22 dBc	25 dBc
	Fo - ()MHz	Typ. dBc	dBc
	Fo +()MHz	Typ. dBc	dBc
Return Loss	Min. 12 dB	17.7 dB	
Ripple	< 1 dB	dB	
Impedance	In / Out : 50 Ω	In / Out : 50 Ω	

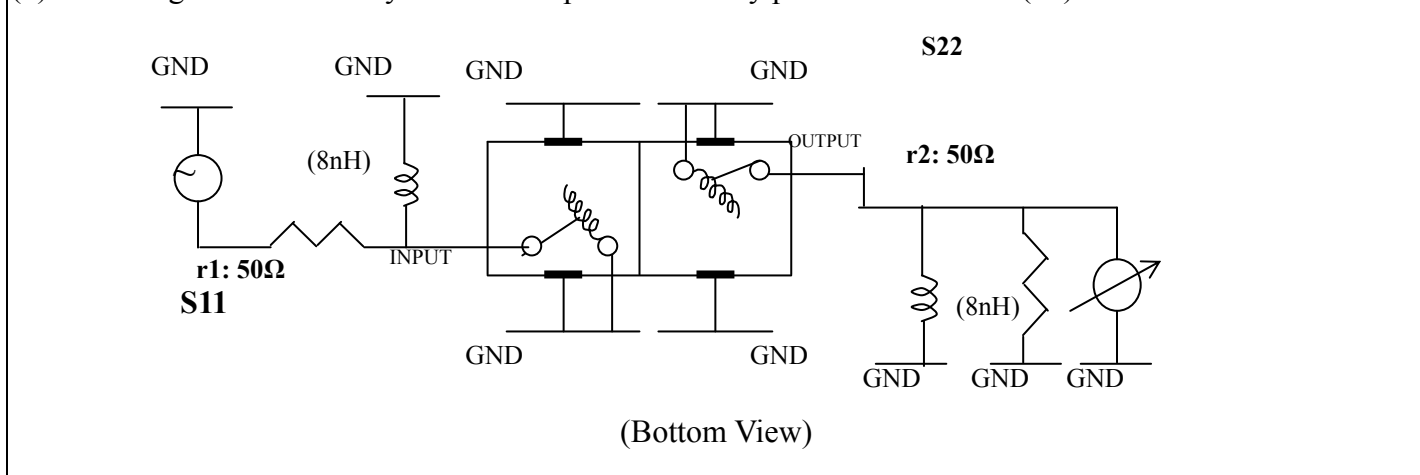
(4) Torque for Tuning Screw > 100gf · cm

(5) Temperature Condition:

Operating Temperature	0°C ~ +60°C
Storage Temperature	-20°C ~ +70°C

(6) Input Power > 1Watt

(7) Measuring Circuit: ※Easy to match Impedance 50Ω by parallel with about (8) nH.



Approval	Supervisor	Designer	Aperture size
C.Y. Chang	C.S. Chang	C.S. Chang	7H2S-4*6.5 7H046RB5.5

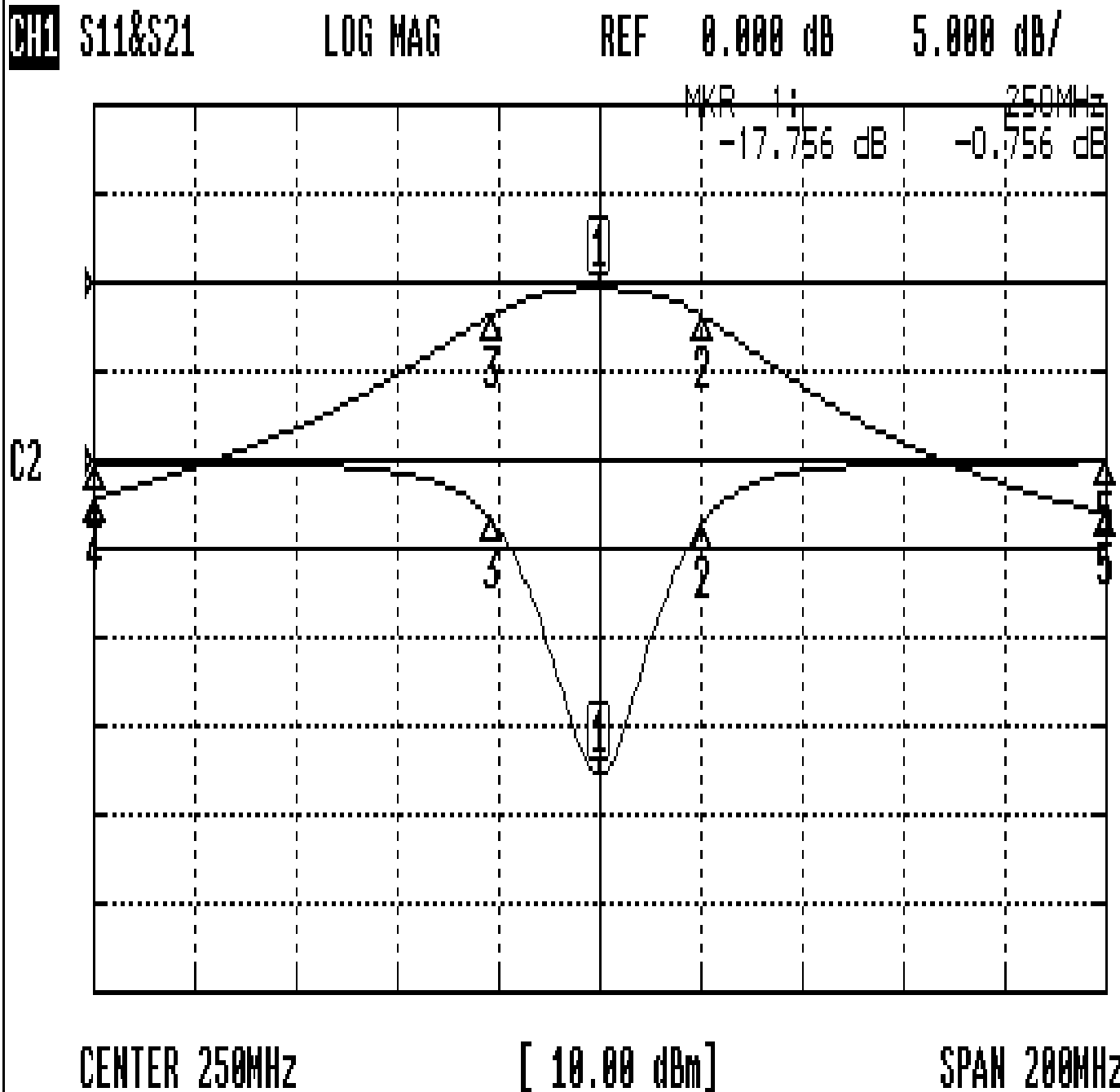
TEMWELL CORPORATION

TEMWELL

Form10-7H2B Vision D

Performance-TD67706B-250M

20507057DC



CH1 MARKER LIST

1:	250.000MHz	-17.756 dB	-0.756 dB
2:	270.333MHz	-3.590 dB	-3.756 dB
3:	228.500MHz	-3.356 dB	-3.761 dB
4:	150.000MHz	-0.159 dB	-24.594 dB
5:	350.000MHz	-0.119 dB	-26.289 dB