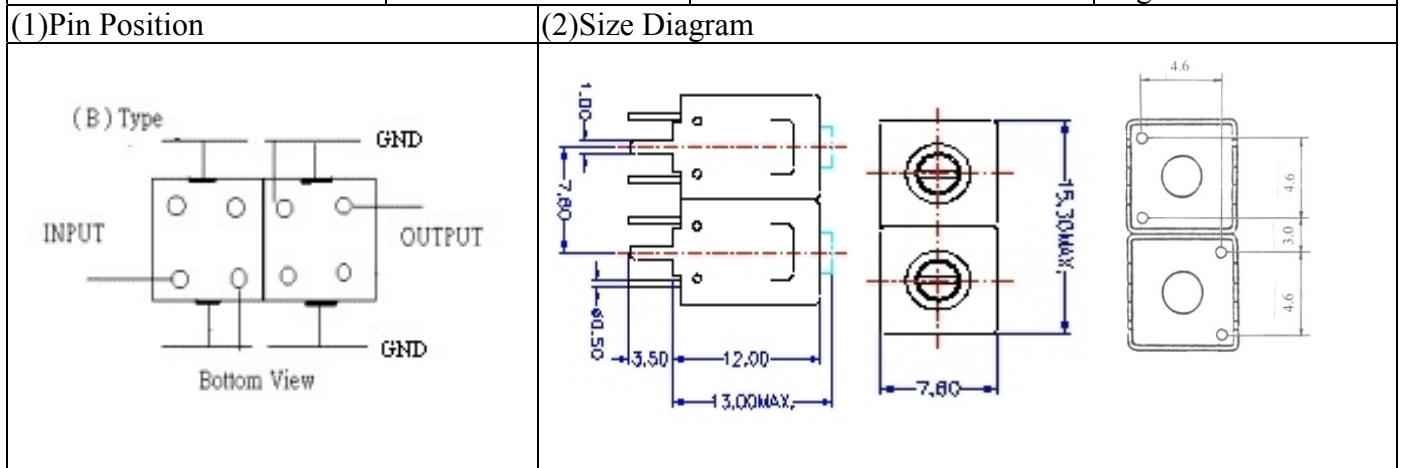


VHF UHF Helical Filter Specification Sheet

Customer Name		Temwell's Part No.	TD67705B-235M
Approval No. /dated	20507056APR	Temwell's Print name	221~245M
Work Instruction No.	20507056DC	Date	Aug.01.2006



(3) Electric Characteristic		Item	Specify	Performance
Center Freq.(Fo) +/- 0.75 %			235 MHz	235 MHz
Tunable Range			235±4 MHz	235±4 MHz
Insertion Loss		Typ.	2.0 dB	0.73 dB
-3 dB Bandwidth		Typ.	30 MHz	33.0 MHz
Sensitivity (Attenuation)	Fo - 100 MHz	Typ.	23 dBc	25 dBc
	Fo + 100 MHz	Typ.	29 dBc	31 dBc
	Fo - ()MHz	Typ.	dBc	dBc
	Fo +()MHz	Typ.	dBc	dBc
Return Loss		Min.	12 dB	23.0 dB
Ripple			< 1 dB	dB
Impedance			In / Out : 50 Ω	In / Out : 50 Ω

(4) Torque for Tuning Screw > 100gf · cm

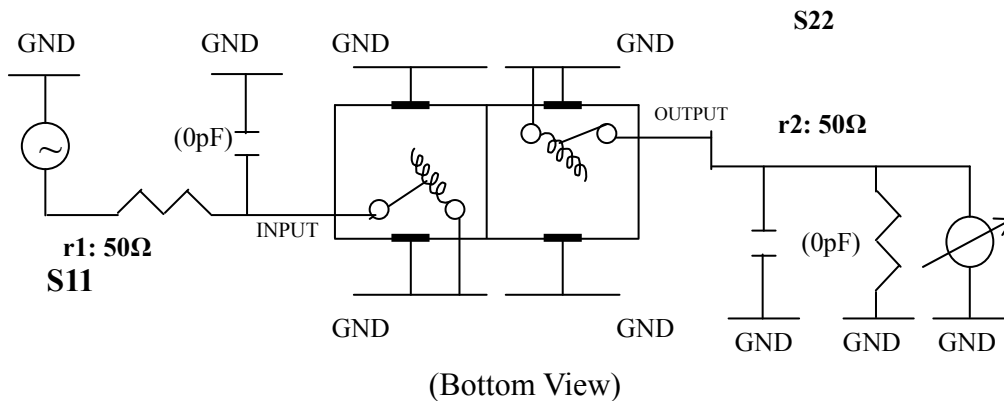
(5) Temperature Condition:

Operating Temperature -30°C ~ +70°C

Storage Temperature -30°C ~ +80°C

(6) Input Power > 1Watt

(7) Measuring Circuit: ※Easy to match Impedance 50Ω/ by parallel with about (0) pF.

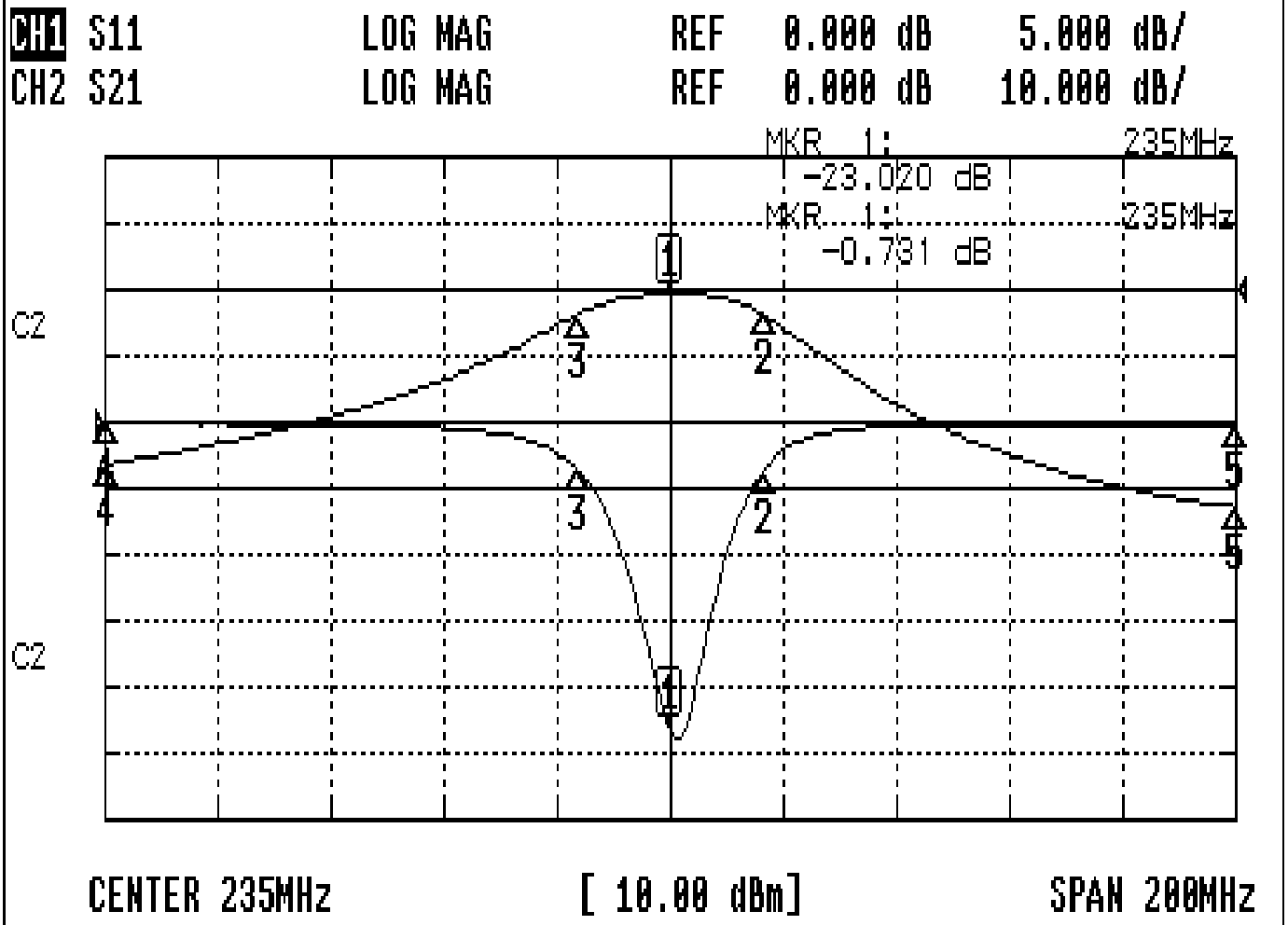


Approval	Supervisor	Designer	Aperture size
C.Y.Chang	C.S.Chang	W.W.Wang	7H2(4*5.5) 7H046RB6.5

TEMWELL CORPORATION

Performance-TD67705B-235M

20507056DC



CH1 MARKER LIST

1	235.000MHz	-23.028 dB
2	251.500MHz	-3.682 dB
3	218.500MHz	-3.459 dB
4	135.000MHz	-0.136 dB
5	335.000MHz	-0.196 dB

CH2 MARKER LIST

1	235.000MHz	-0.731 dB
2	251.500MHz	-3.782 dB
3	218.500MHz	-3.769 dB
4	135.000MHz	-26.443 dB
5	335.000MHz	-32.709 dB