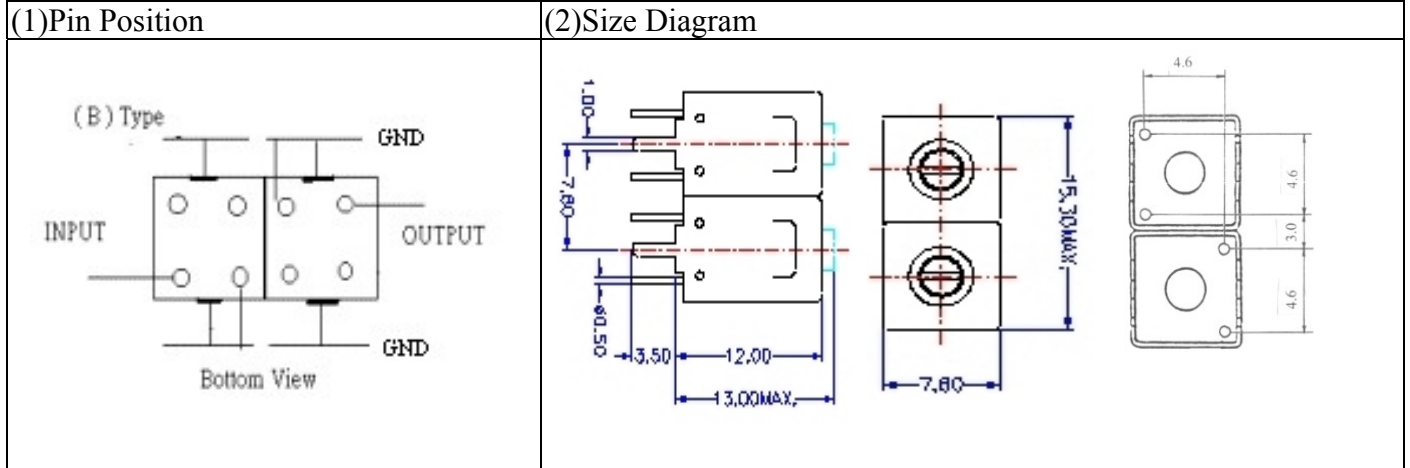


# VHF UHF Helical Filter Specification Sheet

Customer Name		Temwell's Part No.	TD67700B-90M
Approval No. /dated	20507051APR	Temwell's Print Name	86~95M
Work Instruction No.	20507051DC	Date	Jul.28.2006



(3) Electric Character

Item	Specify	Performance	
Center Freq.(Fo) +/- 0.5 %	90 MHz	90 MHz	
Tunable Range	90±2 MHz	90±2 MHz	
Insertion Loss	Typ. 2.0 dB	1.13 dB	
-3 dB Bandwidth	Typ. 17 MHz	19.5 MHz	
Sensitivity (Attenuation)	Fo - 50 MHz	Typ. 15 dBc	19 dBc
	Fo + 50 MHz	Typ. 22 dBc	25 dBc
	Fo - ( )MHz	Typ. dBc	dBc
	Fo +( )MHz	Typ. dBc	dBc
Return Loss	Min. 12 dB	23.5 dB	
Ripple	< 1 dB	dB	
Impedance	In / Out : 50 Ω	In / Out : 50 Ω	

(4) Torque for Tuning Screw

> 100gf · cm

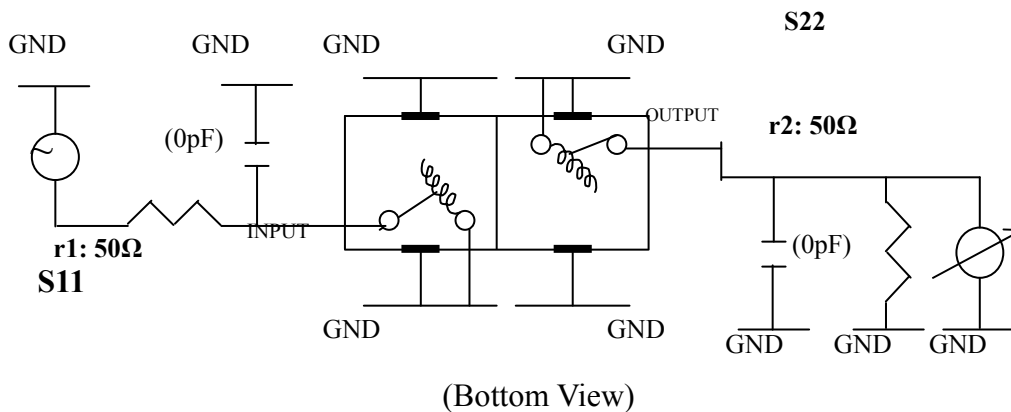
(5) Temperature Condition:

Operating Temperature	0°C ~ +60°C
Storage Temperature	-20°C ~ +70°C

(6) Input Power

> 1Watt

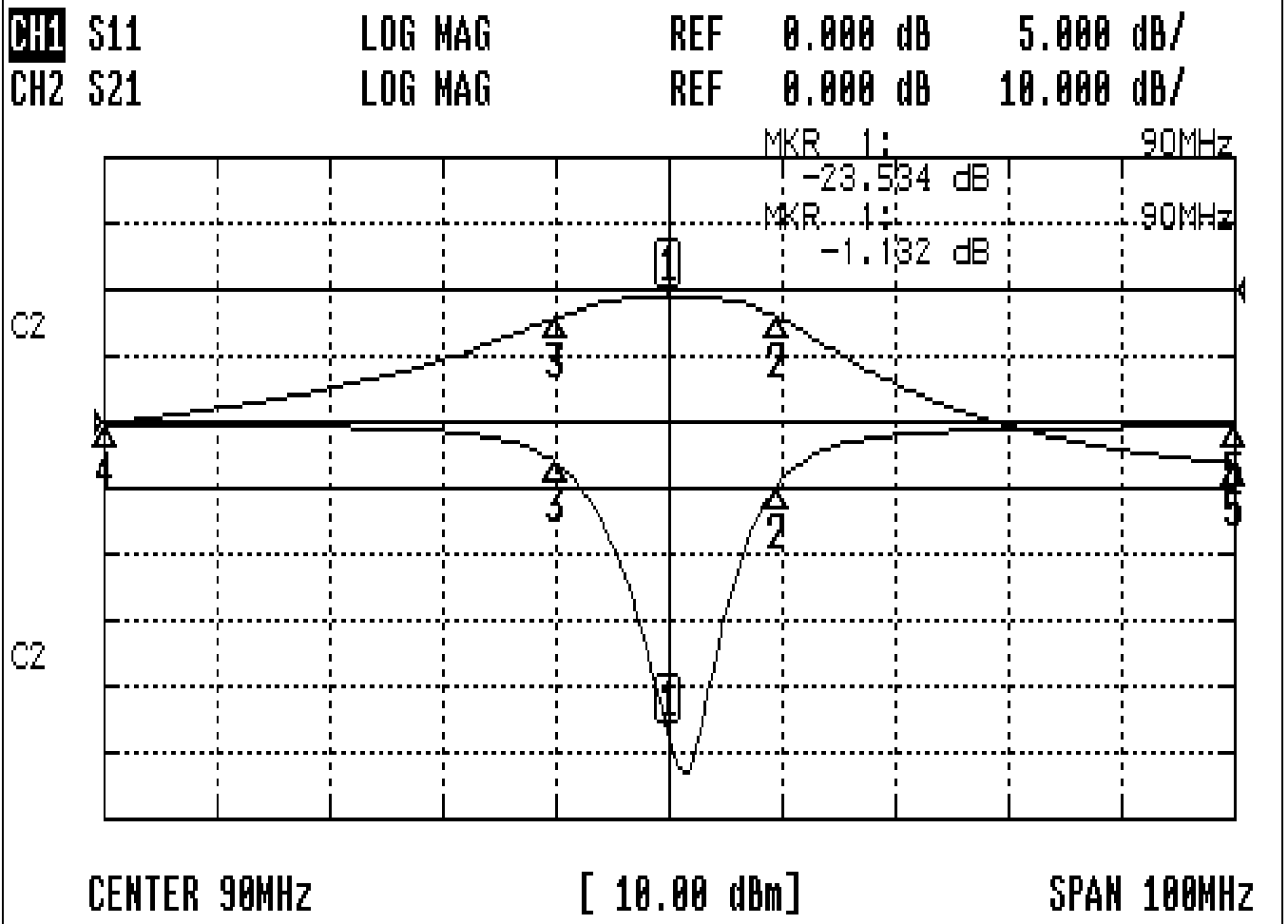
(7) Measuring Circuit: ※Easy to match Impedance 50Ωby parallel with about ( 0 ) pF.



Approval	Supervisor	Designer	Aperture size
C.Y.Chang	C.S.Chang	W.W.Wang	7H2( 4*7.5)F 7H00LB6
TEMWELL		CORPORATION	

# Performance-TD67700B-90M

## 20507051DC



### CH1 MARKER LIST

1:	90.000MHz	-23.534 dB
2:	99.583MHz	-4.865 dB
3:	80.083MHz	-3.135 dB
4:	40.000MHz	-0.327 dB
5:	140.000MHz	-0.376 dB

### CH2 MARKER LIST

1:	90.000MHz	-1.134 dB
2:	99.583MHz	-4.127 dB
3:	80.083MHz	-4.139 dB
4:	40.000MHz	-20.342 dB
5:	140.000MHz	-26.199 dB