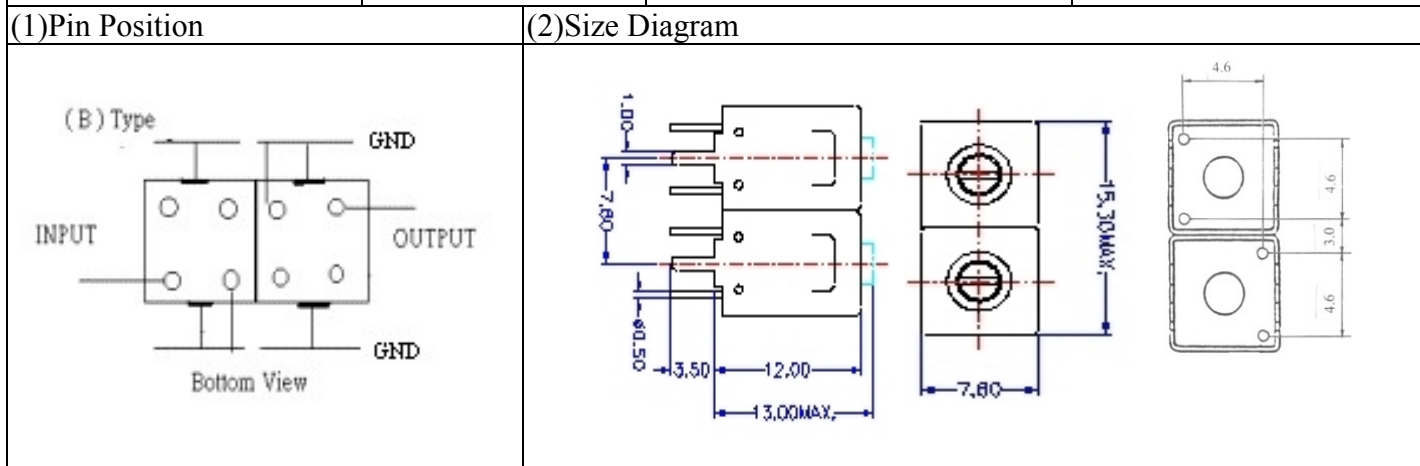


VHF UHF Helical Filter Specification Sheet

Customer Name		Temwell's Part No.	TD67691B-293M
Approval No. /dated	20507034APR	Acceptable Specify Fo. Range	276~310MHz
Work Instruction No.	20507034DC	Date	Jul.26.2005



(3) Electric Character

Item	Specify	Performance	
Center Freq.(Fo) +/- 0.5 %	293 MHz	293 MHz	
Tunable Range	293±4 MHz	293±4 MHz	
Insertion Loss	Typ. 2.0 dB	0.71 dB	
-3 dB Bandwidth	Typ. 30 MHz	32.1 MHz	
Sensitivity (Attenuation)	Fo - 100 MHz	Typ. 24 dBc	27 dBc
	Fo + 100 MHz	Typ. 28 dBc	31 dBc
	Fo - ()MHz	Typ. dBc	dBc
	Fo + ()MHz	Typ. dBc	dBc
Return Loss	Min. 12 dB	28.1 dB	
Ripple	< 1 dB	dB	
Impedance	In / Out : 50 Ω	In / Out : 50 Ω	

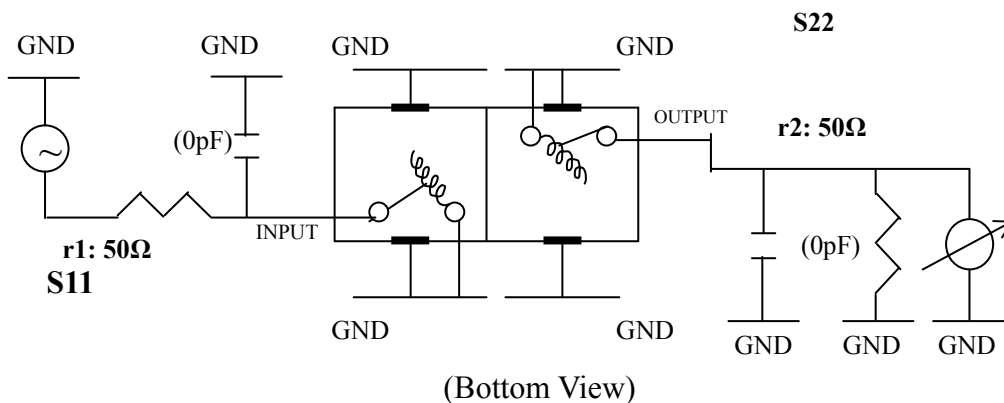
(4) Torque for Tuning Screw > 100gf · cm

(5) Temperature Condition:

Operating Temperature	0°C ~ +60°C
Storage Temperature	-20°C ~ +70°C

(6) Input Power > 1Watt

(7) Measuring Circuit: ※Easy to match Impedance 50Ω by parallel with about (0) pF.



Approval	Supervisor	Designer	Aperture size
C.Y. Chang	C.S. Chang	C.S. Chang	7H2S(4*7.5) 7H046RB5.5

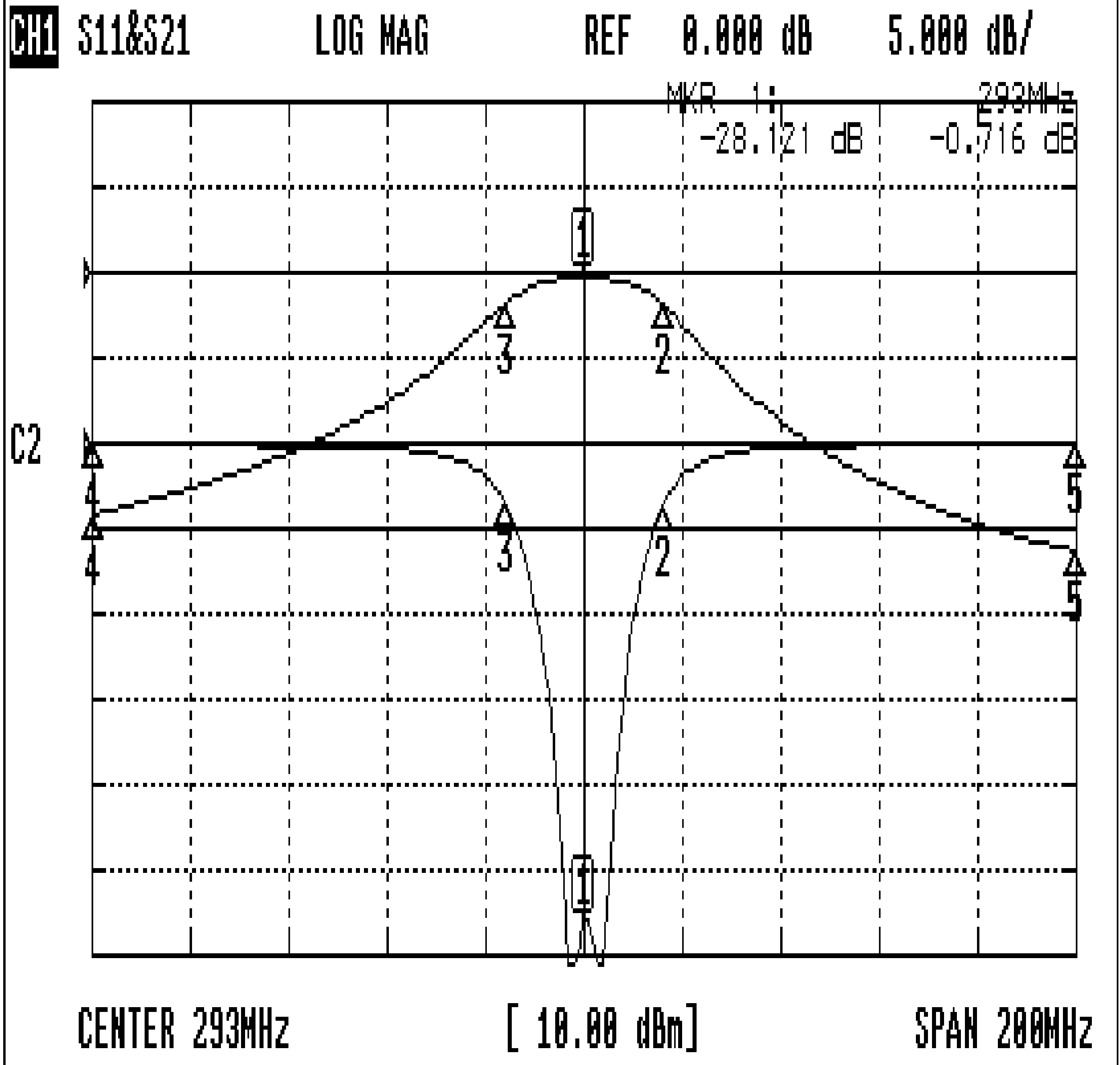
TEMWELL CORPORATION

TEMWELL

Form10-7H2B Vision D

Performance-TD67691B-293M

20507034DC



CH1 MARKER LIST

1:	293.000MHz	-28.121 dB	-0.716 dB
2:	309.166MHz	-3.783 dB	-3.758 dB
3:	277.000MHz	-3.494 dB	-3.731 dB
4:	193.000MHz	-0.899 dB	-28.355 dB
5:	393.000MHz	-0.869 dB	-32.583 dB