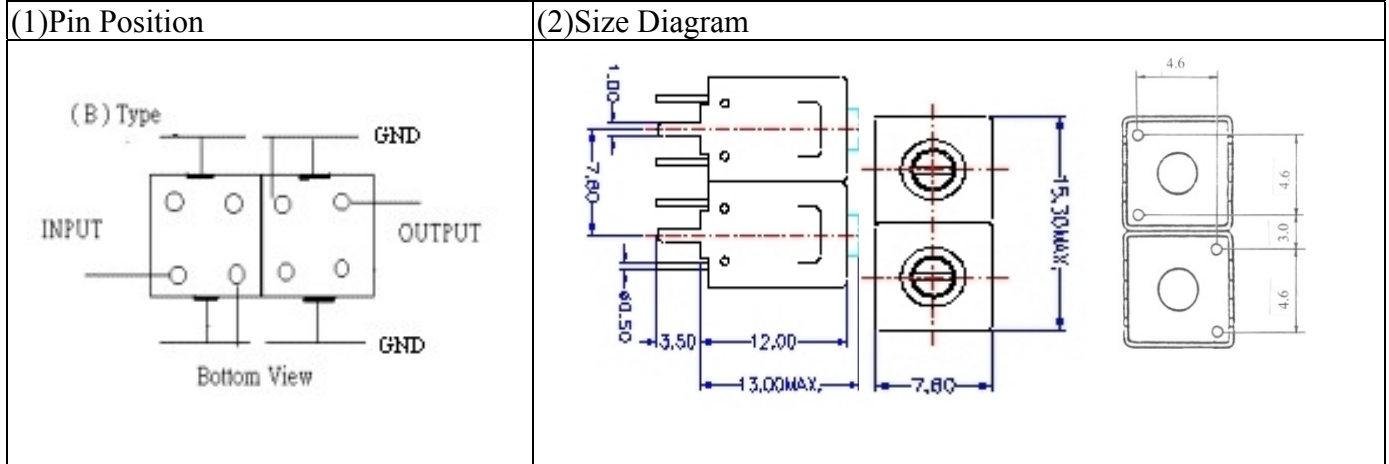


VHF UHF Helical Filter Specification Sheet

Customer Name		Temwell's Part No.	TD67689B-260M
Approval No. /dated	20507032APR	Acceptable Specify Fo. Range	246~275MHz
Work Instruction No.	20507032DC	Date	Jul.19.2005



(3) Electric Character

Item	Specify	Performance	
Center Freq.(Fo) +/- 0.5 %	260 MHz	260 MHz	
Tunable Range	260±4 MHz	260±4 MHz	
Insertion Loss	Typ. 2.0 dB	0.88 dB	
-3 dB Bandwidth	Typ. 20 MHz	23.7 MHz	
Sensitivity (Attenuation)	Fo - 50 MHz	Typ. 18 dBc	21 dBc
	Fo + 50 MHz	Typ. 26 dBc	29 dBc
	Fo - ()MHz	Typ. dBc	dBc
	Fo + ()MHz	Typ. dBc	dBc
Return Loss	Min. 12 dB	20.3 dB	
Ripple	< 1 dB	dB	
Impedance	In / Out : 50 Ω	In / Out : 50 Ω	

(4) Torque for Tuning Screw > 100gf · cm

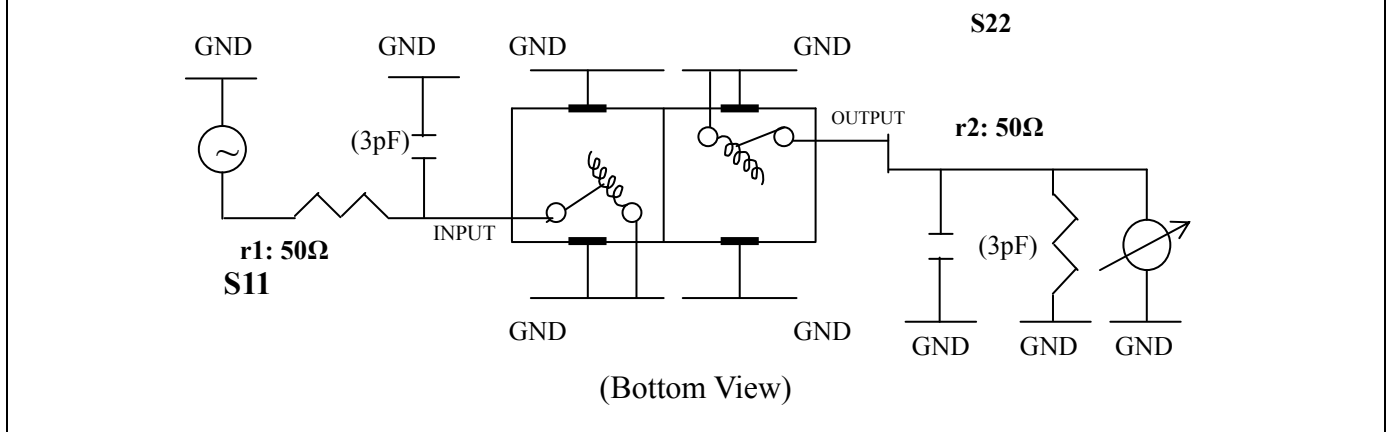
(5) Temperature Condition:

Operating Temperature	0°C ~ +60°C
-----------------------	-------------

Storage Temperature	-20°C ~ +70°C
---------------------	---------------

(6) Input Power > 1Watt

(7) Measuring Circuit: ※Easy to match Impedance 50Ω by parallel with about (3) pF.

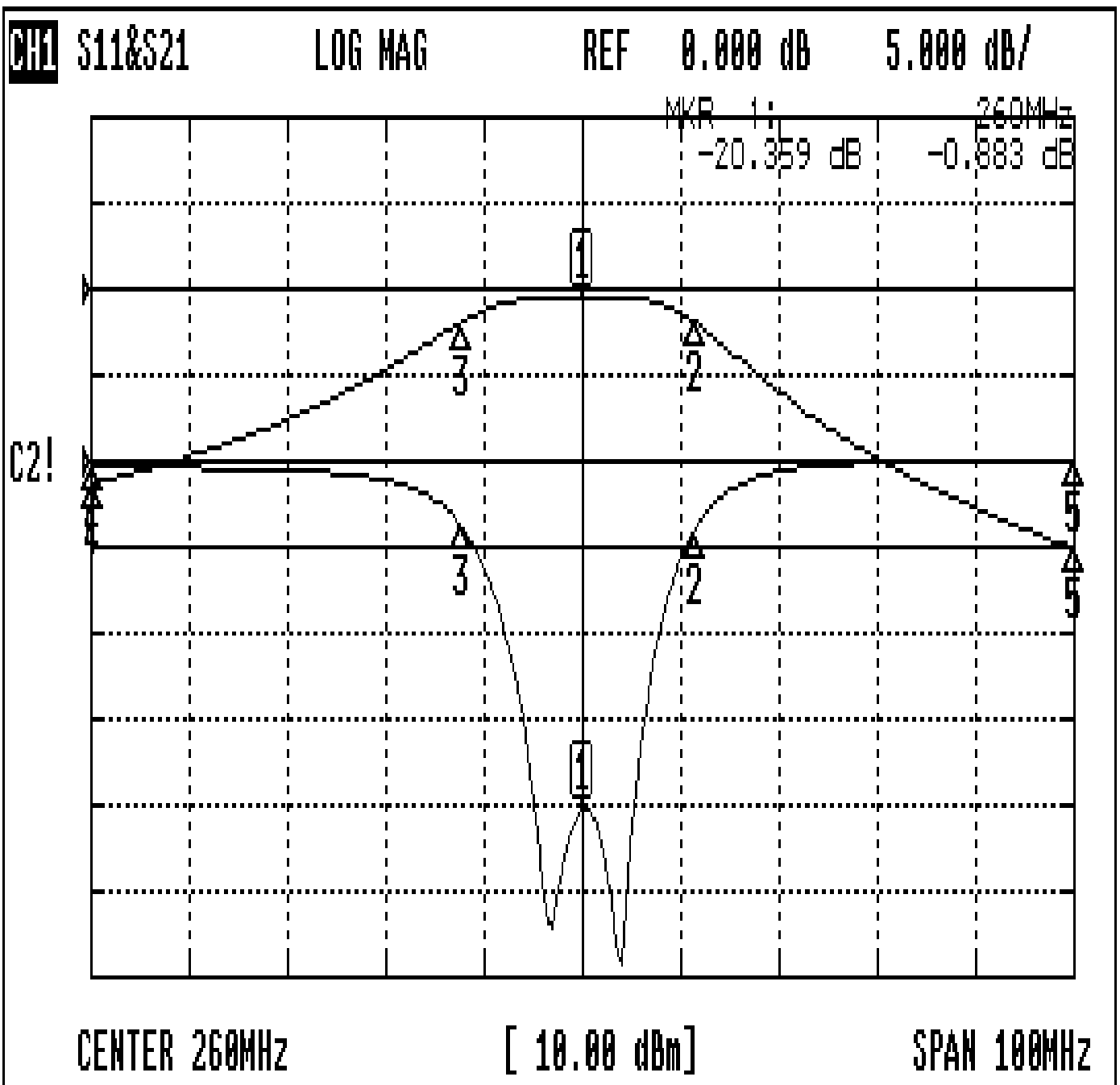


Approval	Supervisor	Designer	Aperture size
C.Y. Chang	C.S. Chang	C.S. Chang	7H2S(4*5.5) 7H046LB5.5

TEMWELL CORPORATION

Performance-TD67689B-260M

20507032DC



CH1 MARKER LIST

1:	260.000MHz	-20.359 dB	-0.883 dB
2:	271.416MHz	-3.992 dB	-3.855 dB
3:	247.666MHz	-3.718 dB	-3.851 dB
4:	210.000MHz	-0.300 dB	-22.623 dB
5:	310.000MHz	0.131 dB	-30.114 dB