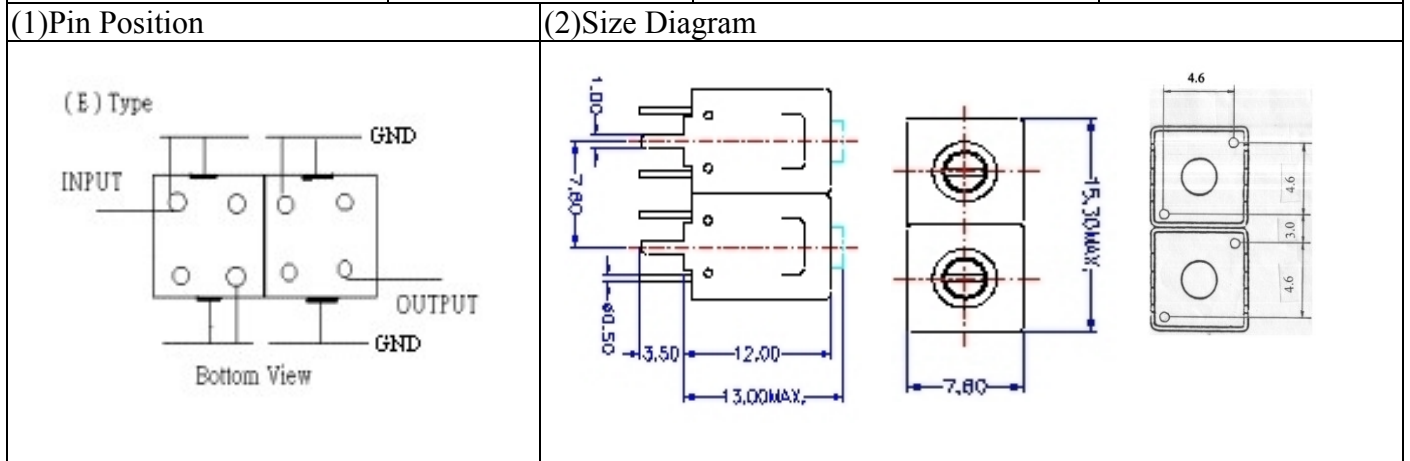


VHF UHF Helical Filter Specification Sheet

Customer Name		Temwell's Part No.	TD67636E-98M
Approval No. /dated	20404090APR	Temwell's Print name	96~107M
Work Instruction No.	20404090DB	Date	Jul.31.2006



(3)Electric Charasteric

Item	Specify	Performance	
Center Freq.(Fo) +/- 0.5 %	98 MHz	98 MHz	
Tunable Range	98±2 MHz	98±2 MHz	
Insertion Loss	Typ. 2.5 dB	1.29 dB	
-3 dB Bandwidth	Typ. 20 MHz	21.1 MHz	
Sensitivity (Attenuation)	Fo - 50 MHz	Typ. 18 dBc	21 dBc
	Fo + 50 MHz	Typ. 22 dBc	24 dBc
	Fo - ()MHz	Typ. dBc	dBc
	Fo +()MHz	Typ. dBc	dBc
Return Loss	Min. 12 dB	34.1 dB	
Ripple	< 1 dB	dB	
Impedance	In / Out : 50 Ω	In / Out : 50 Ω	

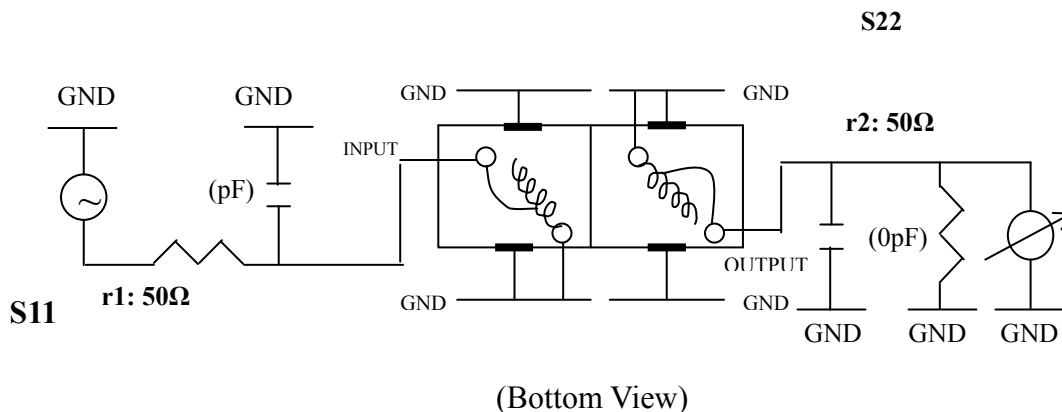
(4)Torque for Tuning Screw > 100gf · cm

(5)Temperature Condition:

Operating Temperature	0°C ~ +60°C
Storage Temperature	-20°C ~ +70°C

(6)Input Power > 1 Watt

(7)Measuring Circuit: ※Easy to match Impedance 50Ω/ by parallel with about (0) pF.

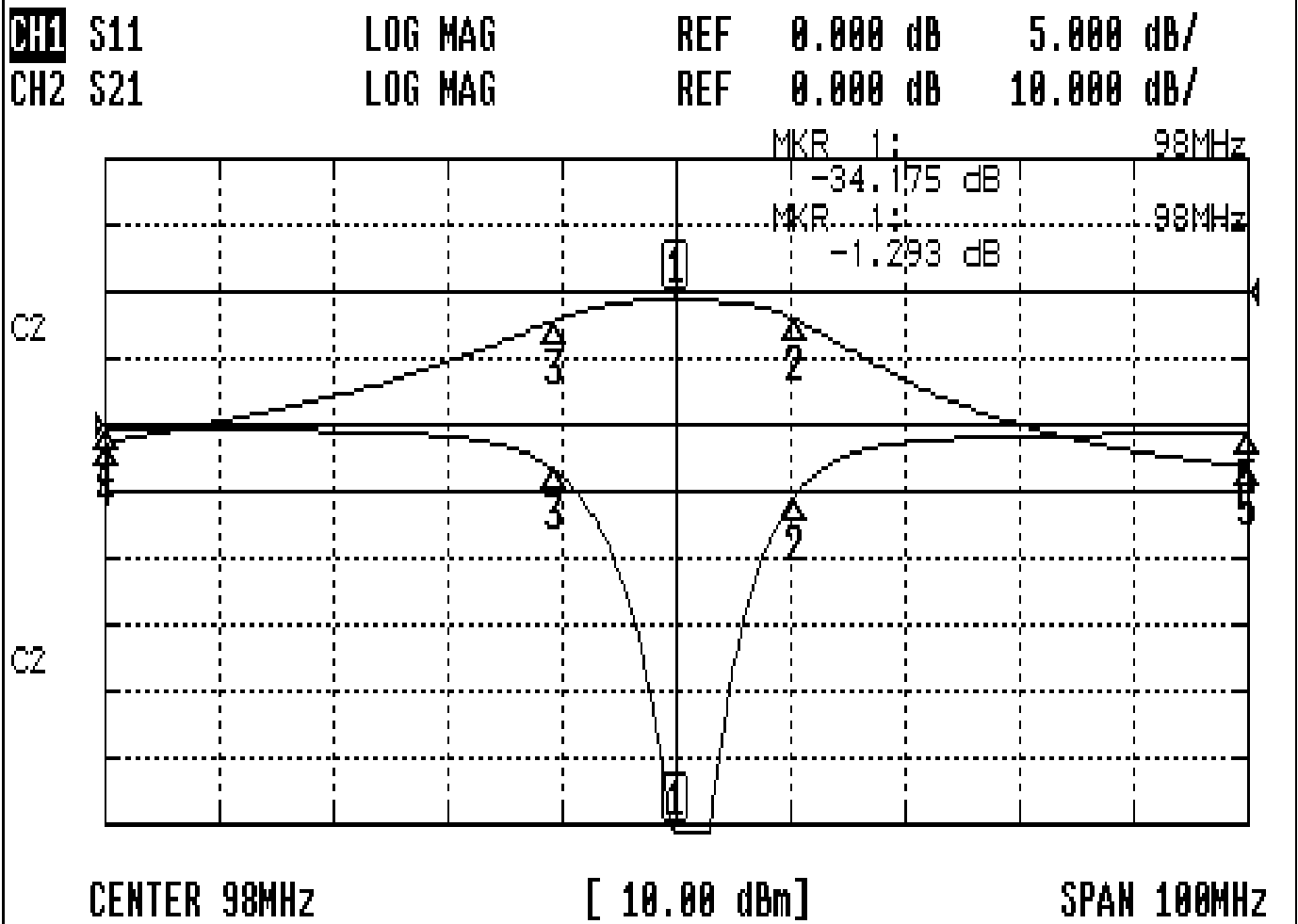


Approval	Supervisor	Designer	Aperture size
C.Y.Chang	C.S.Chang	W.W.Wang	7H2(4*7.5) 7H00LB6

TEMWELL CORPORATION

Performance-TD67636E-98 M

20404090DB



CH1 MARKER LIST

1:	98.000MHz	-34.179 dB
2:	108.416MHz	-5.320 dB
3:	87.333MHz	-3.313 dB
4:	48.000MHz	-0.297 dB
5:	148.000MHz	-0.647 dB

CH2 MARKER LIST

1:	98.000MHz	-1.293 dB
2:	108.416MHz	-4.259 dB
3:	87.333MHz	-4.293 dB
4:	48.000MHz	-22.644 dB
5:	148.000MHz	-26.109 dB